



PIAGGIO & C.s.p.a.



## SPARE PARTS CATALOGUE

### Ape TM 2009

Chassis prefix: ZAPT10000

Engine prefix: ATM2M



## Index

Finished products.....	4
Alphanumeric index.....	5
Engine.....	12
Table 01.01 - Key.....	12
Table 01.02 - Engine, assembly.....	13
Table 01.04 - Engine gaskets.....	14
Table 01.05 - Crankcase.....	15
Table 01.06 - Crankshaft.....	16
Table 01.07 - Cylinder-piston-wrist pin unit.....	17
Table 01.12 - Cylinder head cover.....	18
Table 01.15 - Crankcase cover - Crankcase cooling.....	19
Table 01.18 - Oil pump.....	20
Table 01.21 - Flywheel magneto.....	22
Table 01.22 - Alternator.....	23
Table 01.28 - Rear transmission.....	24
Table 01.31 - Gear-box components.....	26
Table 01.32 - Gear lever.....	28
Table 01.33 - Internal gear selectors.....	29
Table 01.34 - Clutch.....	31
Table 01.39 - Carburettor, assembly - Union pipe.....	33
Table 01.40 - Carburetor's components.....	34
Table 01.42 - Silencer.....	35
Table 01.45 - Air filter.....	36
Table 01.46 - Secondary air box.....	37
Frame - Plastic parts - Coachwork.....	38
Table 02.01 - Frame/bodywork.....	38
Table 02.04 - Rear chassis/body.....	39
Table 02.05 - Engine mounts.....	41
Table 02.06 - Front doors - Glass.....	42
Table 02.07 - Front door components.....	43
Table 02.12 - Cab components.....	44
Table 02.13 - Seat belts.....	45
Table 02.17 - Loading body open - Side boards.....	46
Table 02.18 - Loading body open (Tipper).....	47
Table 02.20 - Dropsides and tailboard.....	48
Table 02.22 - Tilting system.....	50
Table 02.24 - Tilting pump - Components.....	52
Table 02.27 - Windshield - Glass.....	53
Table 02.28 - Front and rear window lift regulator.....	54
Table 02.33 - Wheel housing - Mudguard.....	55
Table 02.36 - Front covers - Mudflaps.....	56
Table 02.38 - Plates - Emblems.....	57
Table 02.40 - Front seats.....	58

---

Table 02.45 - Driving mirror/s.....	59
Table 02.46 - Locks.....	60
Table 02.47 - Fuel tank.....	61
Table 02.52 - Oil tank.....	62
Table 02.58 - Heating.....	63
Handlebars/Steering.....	65
Table 03.01 - Handlebars coverages.....	65
Table 03.02 - Meter combination - Cruscotto.....	66
Table 03.06 - Handlebars - Master cil.....	67
Table 03.07 - Steering post articulation.....	68
Table 03.09 - Steering wheel.....	69
Suspensions - Wheels.....	70
Table 04.02 - Fork/steering tube - Steering bearing unit.....	70
Table 04.07 - Front suspension - Shock absorber/s.....	71
Table 04.10 - Rear suspension - Shock absorber/s.....	72
Table 04.13 - Front and rear wheels.....	73
Table 04.14 - Spare wheel.....	74
Braking system - Transmissions.....	75
Table 05.02 - Brake jaw.....	75
Table 05.03 - Transmissions.....	78
Table 05.04 - Braking system.....	79
Table 05.05 - Control pedals - Levers.....	80
Table 05.07 - Parking brake.....	82
Electrical system.....	83
Table 06.01 - Selectors - Switches - Buttons.....	83
Table 06.03 - Front headlamps - Turn signal lamps.....	84
Table 06.04 - Rear headlamps - Turn signal lamps.....	85
Table 06.05 - Remote control switches - Battery - Horn.....	86
Table 06.06 - Voltage Regulators - Electronic Control Units (ecu) - H.T. Coil.....	88
Table 06.08 - Main cable harness.....	89
Table 06.16 - Front and rear windscreen wiper.....	90



TM Benzina  
N38\_000U01 - Ape TM 2009

Chassis prefix: ZAPT10000  
Engine prefix: ATM2M

---

## Finished products

Code	Validity
no finished product	



Code	No. table	Pos.	Code	No. table	Pos.	Code	No. table	Pos.
000097	01.06	9	005967	02.04	27	012531	02.52	5
000292	01.21	8	005970	01.34	19	012533	01.39	6
000439	01.05	3	005970	05.03	9	012533	02.07	21
001564	01.42	4	006026	01.32	6	012533	02.28	2
002139	01.31	13	006125	02.52	11	012533	05.04	20
002383	02.04	32	006133	01.05	18	012533	06.04	3
002383	02.47	5	006175	01.33	7	012536	05.02	15
002418	02.47	4	006380	01.32	23	012540	02.05	15
002440	03.07	22	006381	04.02	11	012540	02.07	7
002613	01.40	13	006414	03.07	4	012540	05.05	31
003038	02.22	25	006450	01.28	27	012540	06.05	14
003038	05.05	25	006618	01.07	3	012557	01.06	7
003054	01.21	7	006630	03.07	21	012557	01.21	11
003054	01.33	32	006635	03.07	24	012761	05.07	17
003054	02.33	3	006647	05.02	6	012778	02.04	16
003054	02.36	4	006650	05.02	56	012790	05.02	43
003054	02.36	7	006662	01.06	12	013501	01.32	17
003054	02.47	11	006705	01.18	5	013754	01.12	8
003054	02.52	4	006708	01.18	16	013754	01.15	3
003054	02.58	19	006708	01.28	9	013754	02.12	16
003054	02.58	33	006708	01.32	7	013755	06.05	10
003055	01.21	10	006714	01.32	14	013763	01.02	9
003055	02.04	23	006844	04.02	19	013843	05.05	13
003055	02.28	11	006965	01.21	9	013880	01.05	19
003055	02.33	12	006968	01.12	12	013880	02.33	9
003055	06.05	23	006968	02.40	3	013880	05.05	2
003056	01.33	4	006970	05.05	9	013880	06.01	7
003056	01.39	5	006977	01.05	10	013950	05.05	8
003056	01.45	13	006977	01.32	11	013962	04.10	14
003056	02.07	20	006977	01.34	30	013963	01.02	10
003056	02.18	5	006978	05.04	25	014246	04.02	7
003056	02.20	24	006978	05.05	23	015202	01.31	32
003056	02.22	36	007066	01.28	26	015252	01.28	39
003056	02.28	3	008103	02.04	33	015330	04.13	6
003056	02.58	11	008327	01.05	9	015550	02.58	14
003056	05.02	14	008372	01.33	3	015561	01.05	14
003056	05.04	21	008375	02.28	4	015561	01.32	10
003056	06.05	20	008411	01.05	13	015561	01.34	28
003056	06.06	6	008415	01.05	16	015563	01.34	29
003056	06.16	2	008419	01.05	12	015578	01.28	37
003057	01.05	4	008432	02.04	35	015585	02.28	12
003057	01.39	11	008432	02.17	10	015599	01.28	5
003057	02.04	15	008432	02.33	2	015612	01.21	5
003058	01.42	6	008432	02.36	5	015656	01.32	13
003058	02.04	26	008432	02.36	8	015656	01.34	27
003058	02.05	9	008432	02.46	15	015715	02.12	18
003058	02.18	16	008432	06.05	17	015730	02.58	38
003058	02.22	40	0084402	05.03	18	015846	02.04	20
003058	02.40	11	008455	01.02	7	015859	02.06	7
003058	03.07	19	008455	01.02	8	015859	02.58	23
003058	04.02	21	008455	02.52	3	015859	02.58	37
003058	05.02	33	008455	06.04	7	015911	03.02	4
003058	05.05	32	008455	06.05	27	015935	01.18	12
003058	06.05	13	008728	01.28	7	015935	01.46	7
003068	05.02	48	008806	01.18	8	015952	02.07	11
003207	05.04	27	008835	01.32	8	016058	01.05	2
003207	05.05	17	008836	01.28	10	016343	03.06	16
0032912	02.18	10	008843	01.28	2	016404	01.21	6
0032912	02.22	13	008847	02.46	5	016405	01.18	11
003978	01.07	8	008933	01.28	4	016405	02.04	22
004882U	03.07	9	008936	02.07	19	016405	02.28	10
005433	01.05	15	008987	01.12	7	016405	02.33	13
005437	01.05	11	008987	01.15	2	016406	01.28	31
005713	01.33	9	009000	02.22	6	016406	01.33	13
005965	01.28	11	009101	01.31	7	016406	01.33	37
005965	01.32	5	010047	02.04	21	016406	01.34	5
005965	05.03	7	012531	02.47	2	016406	01.45	14



Code	No. table	Pos.	Code	No. table	Pos.	Code	No. table	Pos.
016406	02.18	8	020110	05.07	13	031119	02.05	14
016406	02.22	37	020114	04.10	11	031119	02.18	20
016406	02.52	13	020206	02.58	13	031119	02.22	29
016406	02.58	12	020206	05.05	29	031119	05.05	26
016406	03.07	12	020206	06.05	21	031120	02.22	24
016407	01.05	5	020208	05.05	37	031153	02.22	34
016407	01.34	31	021110	04.07	1	031159	01.22	22
016407	01.39	12	021110	04.10	5	048197	05.04	6
016408	01.22	20	021118	05.02	47	056825	02.58	27
016408	01.42	3	021120	05.02	41	057939	02.22	39
016408	02.04	28	021216	01.06	8	060201	02.12	19
016408	02.05	10	021216	01.21	12	061859	05.07	14
016408	02.18	15	021216	05.04	7	061860	05.07	24
016408	02.22	30	0249672	02.04	19	071633	02.04	34
016408	02.40	8	0249672	06.05	26	072761	06.08	7
016408	03.07	18	030052	01.33	27	074451	05.04	28
016408	05.05	27	030052	05.02	13	074451	05.05	18
016410	01.22	23	030072	01.22	19	074456	06.16	4
016410	01.28	38	030077	05.04	24	074521	05.02	9
016410	02.22	19	030077	05.05	15	075765	02.05	16
016410	03.07	2	030078	04.02	20	075765	04.02	22
016410	04.07	2	030078	05.02	32	075765	05.02	34
016410	04.10	15	030079	02.07	5	077713	01.05	17
016410	05.07	15	030080	02.05	12	078186	05.02	40
016414	04.10	12	030081	02.05	8	078307	01.12	11
016516	01.18	32	030082	02.05	17	078307	01.15	9
016626	05.02	45	030084	02.05	7	078307	02.33	8
016670	03.02	13	030088	05.05	45	078783	01.31	31
017701	02.04	12	030097	03.07	1	078785	01.31	30
017702	02.04	17	030103	05.07	16	078795	01.34	26
017718	02.17	8	030113	02.18	23	090457	01.31	24
017720	02.07	4	030113	02.22	21	090854	04.14	9
018209	01.06	10	030115	04.10	13	093994	01.40	11
018508	02.58	31	030153	04.10	10	094221	01.40	25
018509	02.07	22	030209	01.31	27	098698	03.02	1
018536	02.07	25	031023	02.58	5	099315	01.40	20
018538	03.06	1	031040	02.58	18	099316	01.40	19
018544	02.12	2	031059	02.33	11	099326	01.40	22
018572	05.02	52	031084	01.33	20	101434	01.42	5
018592	02.20	13	031084	02.22	35	101481	03.06	4
018622	04.10	4	031086	02.46	9	102111	06.03	1
020006	02.33	7	031087	01.45	16	105392	02.12	8
020008	04.02	24	031087	02.18	4	105498	04.02	23
020008	05.02	37	031087	03.07	11	105498	05.02	35
020104	02.47	12	031087	05.05	36	107369	01.33	18
020104	02.58	20	031088	01.33	12	107369	01.33	24
020105	02.04	10	031088	02.58	10	107556	03.07	16
020105	02.33	14	031088	06.05	18	108827	02.58	9
020106	01.39	4	031088	06.06	5	108995	01.33	2
020106	01.45	15	031089	01.15	8	109096	02.58	2
020106	02.18	9	031089	01.45	11	109098	02.58	3
020106	02.22	38	031089	02.33	10	109329	02.58	6
020106	02.28	1	031090	01.45	17	1093305	02.58	4
020106	02.52	9	031090	05.05	1	109744	02.58	7
020106	03.07	7	031090	05.05	28	1107264	01.28	12
020106	05.04	19	031091	01.39	7	111356	01.28	29
020106	05.07	22	031091	02.52	16	1115814	01.32	4
020106	06.04	4	031092	01.28	30	112171	01.33	26
020106	06.05	11	031092	01.33	28	112172	01.33	35
020107	01.05	6	031092	01.34	3	112173	01.33	31
020107	01.39	10	031092	05.04	22	112174	01.33	29
020108	01.22	21	031116	02.18	17	112175	01.33	30
020108	01.42	7	031116	02.22	10	112202	01.32	18
020108	02.04	30	031116	02.40	10	112258	01.34	25
020110	02.18	13	031117	02.04	29	112867	01.28	33
020110	02.22	20	031119	01.12	13	112875	01.22	16
020110	04.10	16	031119	02.04	31	112898	01.28	6



Code	No. table	Pos.	Code	No. table	Pos.	Code	No. table	Pos.
113256	01.22	17	133439	05.03	13	159926	01.22	6
113276	01.39	9	133516	01.18	2	159927	01.22	5
113278	01.28	34	134591	01.06	5	159928	01.22	4
113634	01.22	24	1349965	01.34	2	159929	01.22	15
113711	01.39	2	1363034	01.07	4	159931	01.22	3
11547559	02.18	7	136339	01.07	5	159932	01.22	2
115476	02.18	6	136371	05.04	12	159936	01.22	18
115530	01.15	7	136447	01.33	23	160654	06.03	9
115738	01.15	5	136448	01.33	25	162312	01.45	21
115817	02.46	10	136761	01.33	11	162314	01.45	20
116037	05.02	2	136762	01.33	10	162391	01.12	2
116232	05.07	20	136916	05.04	17	162548	02.17	13
116310	05.05	19	136992	01.33	8	162549	02.17	12
116310	05.05	39	1370513	05.02	54	163015	06.03	2
116365	01.22	14	137113	05.05	47	164293	01.45	12
117401	05.03	22	137130	01.07	5	165155	01.28	20
117402	05.03	21	137131	01.07	5	165415	01.31	8
117404	05.03	23	137132	01.07	5	165416	01.31	8
117433	03.07	10	138241	05.02	38	165417	01.31	8
117435	03.07	20	138241	05.02	7	165418	01.31	8
117660	02.04	9	138393	01.31	8	166741	01.18	30
118020	02.18	21	140090	02.46	4	167016	01.34	22
118020	02.22	17	140435	06.08	4	167017	01.34	24
118022	02.22	16	1404945	02.58	1	167018	01.34	23
118023	02.18	22	140619	06.06	2	167226	01.34	21
1180234	02.22	18	141407	02.47	14	167761	01.34	8
118563	05.05	44	141591	01.42	8	168065	01.28	24
119090	03.09	3	141663	02.46	7	168904	01.06	14
119375	03.07	15	141664	02.46	6	1689095	01.34	7
122781	04.02	17	141666	02.46	8	1697284	01.28	25
122781	04.10	7	141833	02.46	13	1697285	01.31	25
124980	04.14	6	142115	02.18	12	169733	01.31	9
125223	04.02	13	142116	02.18	11	169734	01.31	10
125289	01.28	3	142116	02.22	28	169735	01.31	11
125322	06.05	29	143315	01.18	7	169736	01.31	12
125344	05.05	38	143316	01.18	19	169737	01.31	6
125352	05.05	42	143328	01.18	15	169738	01.31	14
125353	05.05	46	144400	01.34	9	169767	01.06	3
125354	05.05	33	144408	01.34	16	169809	01.06	13
125355	05.05	35	144520	01.18	10	169810	01.06	6
125467	05.07	9	144521	01.18	9	174524	05.04	16
126018	01.05	7	1445244	01.18	3	174874	04.07	4
126135	05.04	2	145104	01.34	15	174874	04.10	8
1261363	05.04	3	145298	06.08	8	175493	05.02	42
127046	02.04	24	146086	01.18	18	175497	04.02	9
127152	02.47	20	146087	01.18	17	176190	05.02	53
127152	02.52	6	149323	01.45	5	177079	04.02	5
127587	02.47	17	151070	01.40	28	177080	04.02	4
127619	06.05	28	152608	01.40	23	177132	03.06	14
127790	06.05	6	154604	04.02	25	177133	05.03	8
127863	05.04	10	154609	01.04	1	177141	03.06	13
127927	05.04	11	154631	02.27	3	177147	03.06	6
128009	02.36	6	154753	01.40	3	177148	03.06	5
128389	01.33	19	154783	01.40	18	177431	05.02	28
128633	05.02	50	157227	01.45	6	177432	05.02	29
128635	01.31	5	157228	01.45	3	177468	04.07	3
128854	05.05	41	157713	06.05	19	177468	05.02	8
1291593	02.04	3	157714	06.06	4	177507	03.06	9
129516	01.31	22	157715	01.22	1	177559	05.02	46
129522	01.33	36	158831	02.46	3	17789109	03.06	12
129622	05.07	11	159015	01.31	29	177936	05.04	18
132129	01.28	19	159920	01.22	13	1781856	05.02	24
132134	01.28	16	159921	01.22	11	178187	05.02	25
132136	01.28	21	159922	01.22	12	178193	05.02	39
132244	01.28	18	159923	01.22	9	1782255	01.31	26
132637	01.34	4	159924	01.22	7	178550	04.02	3
133425	01.34	14	159925	01.22	8	178609	02.12	9



Code	No. table	Pos.	Code	No. table	Pos.	Code	No. table	Pos.
178610	02.12	7	195718	01.18	31	213749	02.28	6
178745	03.01	2	195764	01.40	10	213793	02.36	3
178745	03.02	2	195769	01.40	24	213798	06.03	4
178750	05.02	21	195770	01.40	26	213809	02.36	11
178790	04.13	7	195772	01.40	21	2139795	02.06	9
178808	05.02	18	195774	01.40	6	2139805	02.06	10
178811	04.02	16	195776	01.40	1	2140165	01.45	10
178811	05.02	31	195784	01.40	5	214134	02.36	10
178838	04.02	18	195785	01.40	2	214163	02.58	30
178838	05.02	30	195788	01.40	7	214165	05.03	17
179013	05.04	15	196108	01.21	4	214168	05.03	20
179060	05.02	23	196302	05.02	55	214227	04.14	10
179060	05.02	4	196628	02.06	4	2142915	02.04	7
1794751	03.07	6	196868	02.47	19	2142945	02.04	6
179476	03.07	5	197097	05.03	6	2142975	02.04	5
179614	03.07	3	197100	05.03	11	2143075	02.04	8
179926	03.07	13	197101	05.03	10	2143125	02.04	4
179927	03.07	8	197369	02.36	2	2143145	02.04	18
179928	03.07	23	197370	02.36	1	2143213	02.04	14
179929	03.07	14	197422	01.07	6	2144415	02.01	6
180379	01.31	28	197423	01.07	6	214442	02.58	34
180680	01.22	10	197424	01.07	6	214482	06.03	8
182363	02.06	14	197425	01.07	6	214485	02.12	15
183059	04.14	7	1975180001	01.07	2	214550	02.58	35
183062	01.40	17	1975180002	01.07	2	214772	02.22	26
184138	01.18	22	1975180003	01.07	2	214772	06.01	11
185217	02.52	10	1975180004	01.07	2	214801	04.14	5
185222	02.52	7	197523	01.07	2	215015	02.58	21
187970	02.05	5	197524	01.07	2	215018	02.58	22
188276	02.17	4	197525	01.07	2	2156613	01.21	1
188277	02.17	6	197557	06.03	5	216150	02.05	19
1882785	02.17	5	1980386	02.01	9	216159	06.01	10
188282	02.17	7	1980395	02.01	5	216170	02.33	6
1883616	02.01	8	1980416	02.01	10	216191	02.58	24
189058	02.12	4	1981012	02.04	25	216327	02.47	15
189137	02.33	15	198881	02.27	1	216353	02.58	17
1891385	02.58	16	199076	01.28	32	216468	03.01	4
189317	02.47	7	1996041	01.06	1	216524	02.28	7
189320	02.47	18	199899	01.18	4	2165855	02.18	19
189322	02.47	10	199927	01.31	1	2165855	02.22	27
189740	05.07	4	199928	01.31	2	216640	02.58	32
189741	05.07	7	199929	01.31	18	2167185	02.18	18
189745	05.07	8	212069	02.06	13	2167185	02.22	14
189746	05.07	6	21229209	02.40	7	2167725	02.18	3
189747	05.07	10	212492	02.27	5	216777	02.04	11
189748	05.07	2	212493	02.27	4	216893	02.18	2
189749	05.07	3	212540	02.28	9	216988	01.45	18
189750	05.07	12	212558	02.17	9	217149	01.45	19
189751	05.07	18	212569	02.07	9	217165	02.46	14
189885	06.05	4	212571	02.28	8	217166	02.46	11
189940	06.05	3	212607	02.05	18	217254	02.47	3
191002	06.08	5	212608	02.05	4	2174065	02.47	6
191962	01.33	15	212632	02.06	12	217582	02.06	11
192207	02.12	5	212708	02.07	1	217635	01.18	6
192208	02.12	6	212709	02.07	14	21793902	01.33	16
193049	02.06	8	212711	02.07	12	2179413	01.33	21
193836	05.03	12	212713	02.07	13	217944	01.33	22
1944505	02.28	5	212723	02.06	3	217946	01.33	6
194721	02.40	2	212728	02.07	8	21794901	01.33	34
194945	02.04	2	213181	02.07	23	218335	01.18	13
194945	06.08	6	213182	02.07	24	218592	02.12	3
1949485	02.01	14	213631	02.05	6	218894	01.33	5
195006	01.21	3	213683	05.05	5	219021	02.58	25
195482	05.05	7	213684	05.05	6	219024	02.58	28
195542	01.40	16	213686	05.05	4	219025	02.58	29
195543	01.40	15	213716	06.03	10	219026	02.58	26
195700	01.12	10	213717	06.03	11	219277	01.33	33





Code	No. table	Pos.	Code	No. table	Pos.	Code	No. table	Pos.
219396	01.33	1	239228	01.28	22	261450	02.06	5
220123	01.32	2	239229	01.31	19	261537	02.06	6
220124	01.32	9	239230	01.31	21	261986	02.52	8
220157	01.32	15	239231	01.31	23	263449	02.52	1
220220	02.05	3	239232	01.31	20	263599	01.45	1
2202353	01.21	2	239236	01.28	8	264058	02.58	39
220302	01.18	23	239281	01.31	22	264266	02.22	32
220303	01.18	24	239687	06.16	3	264266	02.24	1
2204025	01.39	8	241279	02.40	4	264740	02.20	29
220403	01.45	9	2416435	02.01	11	264741	02.20	30
220575	01.28	17	2416625	02.01	12	264742	02.20	28
2210536	01.18	29	2416645	02.01	13	264743	02.20	34
221098	01.18	26	243303	05.02	57	264752	02.20	21
221140	01.18	27	243804	05.02	3	264753	02.20	20
221142	01.18	28	2441295	06.06	1	264753	02.20	8
2212006	01.34	17	2441445	05.02	27	264755	02.20	19
2212016	01.34	18	2441455	05.02	26	264755	02.20	7
221203	01.18	21	244159	05.02	36	264778	02.20	23
221204	01.18	20	2443025	04.02	15	264783	02.20	12
221225	01.18	1	244474	02.12	17	264783	02.20	25
2212475	01.34	1	244474	02.33	5	264784	02.20	18
221261	01.06	4	244690	04.14	8	264785	02.20	4
221278	01.32	1	244951	01.15	6	264802	02.20	17
2212786	01.32	3	244998	01.12	6	264803	02.20	16
2213004	01.18	25	245038	05.02	19	264811	02.24	2
221354	01.18	33	2451932	05.02	12	264812	02.24	3
2215686	01.31	16	245203	01.45	2	264813	02.24	12
2215696	01.31	17	245955	01.40	27	264816	02.24	5
221736	01.34	20	2461985	05.02	1	264817	02.24	15
222478	01.06	11	2462074	05.02	22	264818	02.24	14
222479	01.34	13	246509	01.28	14	264819	02.24	8
222486	01.34	10	246509	05.05	10	264821	02.24	11
222487	01.34	11	2466341	02.05	1	264822	02.24	6
222488	01.34	12	246636	05.04	8	264823	02.24	4
2224905	01.34	6	246682	02.05	2	264826	02.24	9
224362	01.06	15	246836	01.28	13	264827	02.24	10
224979	05.03	19	247454	01.33	14	264828	02.24	7
225296	03.06	10	247486	02.47	9	264829	02.20	5
225298	03.06	11	247975	05.04	9	264834	02.20	6
225300	03.06	3	248570	01.45	4	264948	02.20	9
225302	03.06	2	249169	01.33	17	264949	02.20	10
225549	05.02	20	2495205	05.04	23	2654624	03.06	15
225729	03.09	1	252166	05.05	12	266596	05.05	11
226612	04.07	6	252884	05.04	1	2671725	04.10	2
227687	05.02	5	253297	05.05	43	2671735	04.10	1
2279015	04.02	26	253301	05.05	34	2681924	01.28	36
2283020001	05.02	49	253516	05.04	5	268218	05.02	51
229264	05.05	16	253517	05.04	14	270991	04.13	5
229267	05.05	20	254485	05.05	50	270991	04.14	4
229271	05.05	21	256285	06.05	16	2882735	01.28	1
229272	05.05	22	257052	02.52	12	2883555	01.05	1
229284	05.04	4	257053	02.52	14	288671	01.12	1
229285	05.04	13	257094	02.46	2	288730	01.28	23
229700	05.07	23	257134	01.45	8	288840	01.42	2
230655	01.15	1	257134	02.58	15	290102	06.05	7
230660	02.13	3	257134	02.58	8	290103	06.05	8
230661	02.13	2	257478	02.06	1	290172	06.03	6
231284	02.22	5	257479	02.06	2	290173	06.03	7
231308	01.12	4	259830	05.05	49	290267	06.06	3
231370	04.10	3	260016	02.52	2	290405	06.05	25
231370	05.02	44	260379	02.58	36	290859	06.05	22
232419	02.07	16	260409	04.13	4	290860	06.05	24
232420	02.07	17	260409	04.14	3	292022	06.04	6
2332365	02.01	7	260467	04.10	6	292178	02.05	13
234259	02.12	10	261435	02.12	1	400282	01.18	14
235008	03.06	7	261437	03.01	1	402384	05.03	2
235218	01.05	20	261449	02.07	3	402384	05.03	5



Code	No. table	Pos.	Code	No. table	Pos.	Code	No. table	Pos.
414424	01.45	7	568760	02.22	23	646465	04.07	5
414837	02.20	27	568768	02.22	22	646466	04.10	9
414946	02.07	6	5687695	02.01	15	658133	05.03	15
431044	01.28	35	5687705	02.01	16	658134	05.03	16
478533	01.46	2	568790	06.16	9	658204	05.03	14
486279	01.12	3	5687965	02.18	1	658204	05.03	4
486942	01.46	3	568927	04.02	10	658230	02.12	13
486943	01.46	4	568928	04.02	6	658256	02.07	18
493433	02.24	13	568929	04.02	8	658280	02.27	2
493618	04.02	1	568930	04.02	12	660718	03.02	11
493619	04.02	2	569254	06.16	5	660951	06.16	7
493971	01.40	4	569355	02.22	11	660952	06.16	8
493972	01.40	9	569577	02.07	26	804457	02.46	12
500531	01.06	2	569578	02.07	2	810688	02.05	11
500532	01.06	2	569724	01.02	3	810688	02.18	14
500533	01.06	2	575826	02.38	3	810688	02.22	33
500534	01.06	2	581339	06.04	1	810688	02.40	9
565057	02.22	3	581340	06.04	2	810688	03.07	17
565058	02.22	1	581341	03.09	2	810688	05.04	26
56512R	04.13	2	581369	06.01	2	810688	05.05	24
56512R	04.14	1	581370	06.01	1	810688	05.05	30
56513R	04.13	1	581372	06.01	9	810688	06.05	12
56513R	04.13	3	581373	06.01	3	813174	01.40	8
56513R	04.14	2	581375	06.01	5	827209	01.46	5
56534R	02.13	1	581376	06.01	6	827443	01.46	11
565429	03.02	3	581377	02.22	8	827444	01.46	10
565639	02.40	1	581405	06.05	15	82758R	01.46	6
565664	02.36	9	582017	06.16	1	831050	01.46	12
565798	02.33	4	582296	02.22	41	831052	01.46	9
565799	02.33	1	582296	06.08	9	831859	01.46	1
565810	02.12	14	582305	02.22	12	831944	01.12	5
565929	02.12	12	583764	06.03	3	831963	01.46	13
566050	02.12	20	600697M	06.05	1	832103	01.39	1
566051	02.12	21	611600	01.02	5	832349	01.07	1
566074	02.20	22	611601	05.05	48	844466	01.42	1
566122	05.02	10	611602	02.22	7	8444735	01.02	1
566859	01.39	3	611610	06.05	9	8444745	01.02	2
567605	02.07	10	611616	02.22	31	849219	01.31	3
567834	02.22	15	611641	05.03	3	849220	01.31	4
567837	02.38	1	611643	05.03	1	8492275	01.31	15
567840	06.04	5	611747	01.02	6	849238	01.32	16
567857	05.07	19	611763	02.17	11	849245	01.32	19
567858	05.07	21	6117665	02.17	3	849246	01.32	21
567860	03.02	8	611872	06.16	10	849250	01.32	22
567986	03.02	10	612342	02.45	1	8492845	01.32	12
568001	05.07	5	612343	02.45	2	873031	01.32	20
5680285	02.17	2	613431	06.08	3	873212	01.07	7
5680295	02.17	1	613444	06.08	1	873221	01.28	15
568051	03.02	12	613445	06.08	2	876682	01.28	28
568053	03.02	14	613606	06.01	4	8781087201000	02.45	3
568058	03.02	9	613726	02.07	15	8783487201000	02.45	4
568073	05.07	1	613726	02.46	1	878443	01.05	8
568194	06.01	8	613726	02.47	1	9004119450000	06.05	2
5682415	02.04	1	613907	03.02	6	AP8222631	01.40	12
5682575	04.02	14	613909	03.02	7	B004721	06.16	12
568367	02.40	6	614081	02.40	5	B004722	06.16	11
568372	05.02	17	615391	06.08	10	B007130	06.08	3
568373	05.02	16	615392	02.22	9	B007131	06.08	11
568377	05.02	58	642202	06.06	4	B007816	06.06	7
568379	05.02	59	644326	05.02	11	B007817	06.06	7
568440	02.20	1	644326	05.02	61	CM001905	01.46	8
568505	03.06	8	644327	05.02	60	CM002907	02.47	13
568570	05.05	3	644772	06.08	11	CM002912	02.52	15
568636	02.22	4	645485	02.38	2	CM003501	02.47	16
568636	05.05	14	645488	02.38	5	CM017408	01.02	4
568637	02.20	26	645581	06.05	5	CM017408	03.01	3
568650	05.05	40	645599	02.38	4	CM017409	03.02	15



---

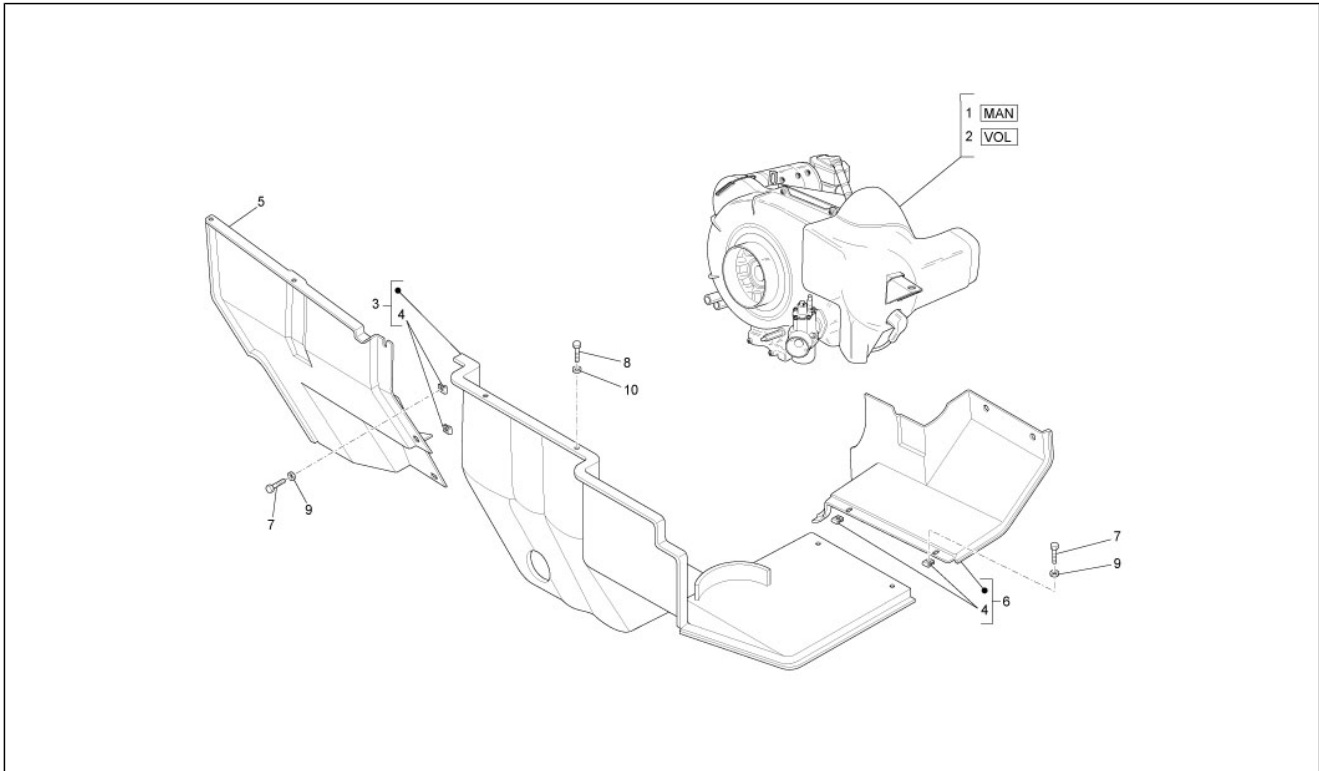
Code	No. table	Pos.
CM017409	03.02	5
CM017414	01.12	9
CM017414	01.15	4
CM031701	02.47	8
CM032101	02.22	2
CM032901	02.20	15
CM032902	02.20	33
CM032903	02.20	14
CM032904	02.20	32
CM033001	02.20	3
CM033002	02.20	2
CM033002	02.20	31
CM033003	02.20	11
CM0338015	02.01	4
CM0338035	02.01	2
CM0347015	02.01	1
CM0347025	02.01	3
CM035206	02.04	13
CM120804	01.40	14

<b>Group</b>	Engine
<b>Code</b>	01.01
<b>Description</b>	Key
<b>Service</b>	1

MAN	Versione con manubrio	Version With Handlebar	Version avec guidon	Modellversion mit Lenker
VOL	Versione con volante	Version with steering Wheel	Version avec volant	Modellversion mit Lenkrad
VPC	Pianale corto	Short bed	Plateau court	Kurze ritsche
VPL	Pianale lungo	Long bed	Plateau long	Lange ritsche
VPR	Pianale ribaltabile	Tipper	Plateau basculant	Kippbare Ladefläche
VF	Furgone	Van	Fourgon	Kastenwagen
ANT.	Anteriore	Front	Avant	Vorne
POST.	Posteriore	Rear	Arriere	Hinten
RH	Destra	Right	Droite	Rechts
LH	Sinistra	Left	Gauche	Links
MAN	Versión con manillar	Versão com guidador	Versie met stuur	Έκδοση με τιμόνι μοτοσικλέτας
VOL	Versión con volante	Versão com volante	Versie met stuurwiel	Έκδοση με τιμόνι αυτοκινήτου
VPC	Plataforma corta	Plataforma curta	Kort vlak	Ανατρεπόμενη κοντή
VPL	Plataforma larga	Plataforma longa	Lang vlak	Ανατρεπόμενη μακριά
VPR	Plataforma volquete	Plataforma basculante	Kantelbaar laadvlak	Ανατρεπόμενο
VF	Furgón	Furgão	Bestelwagen	Κλειστό φορτηγάκι
ANT.	Delantero	Dianteiro	Vooraan	Εμπρός
POST.	Trasero	Traseiro	Achteraan	Πίσω
RH	Derecha	Direita	Rechts	Δεξιά
LH	Izquierda	Esquerda	Links	Αριστερά

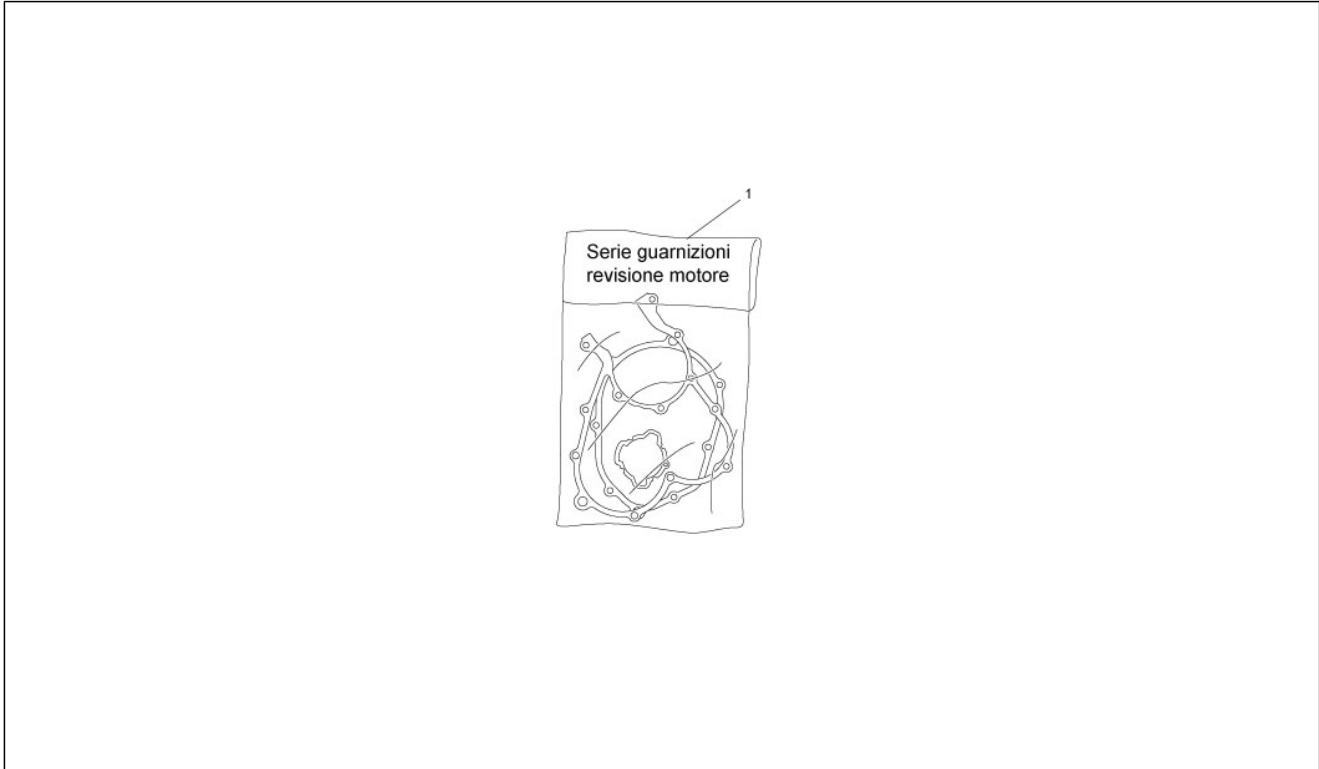
Pos.	Code	Description	Qty	Variants
------	------	-------------	-----	----------

<b>Group</b>	Engine
<b>Code</b>	01.02
<b>Description</b>	Engine, assembly
<b>Service</b>	1



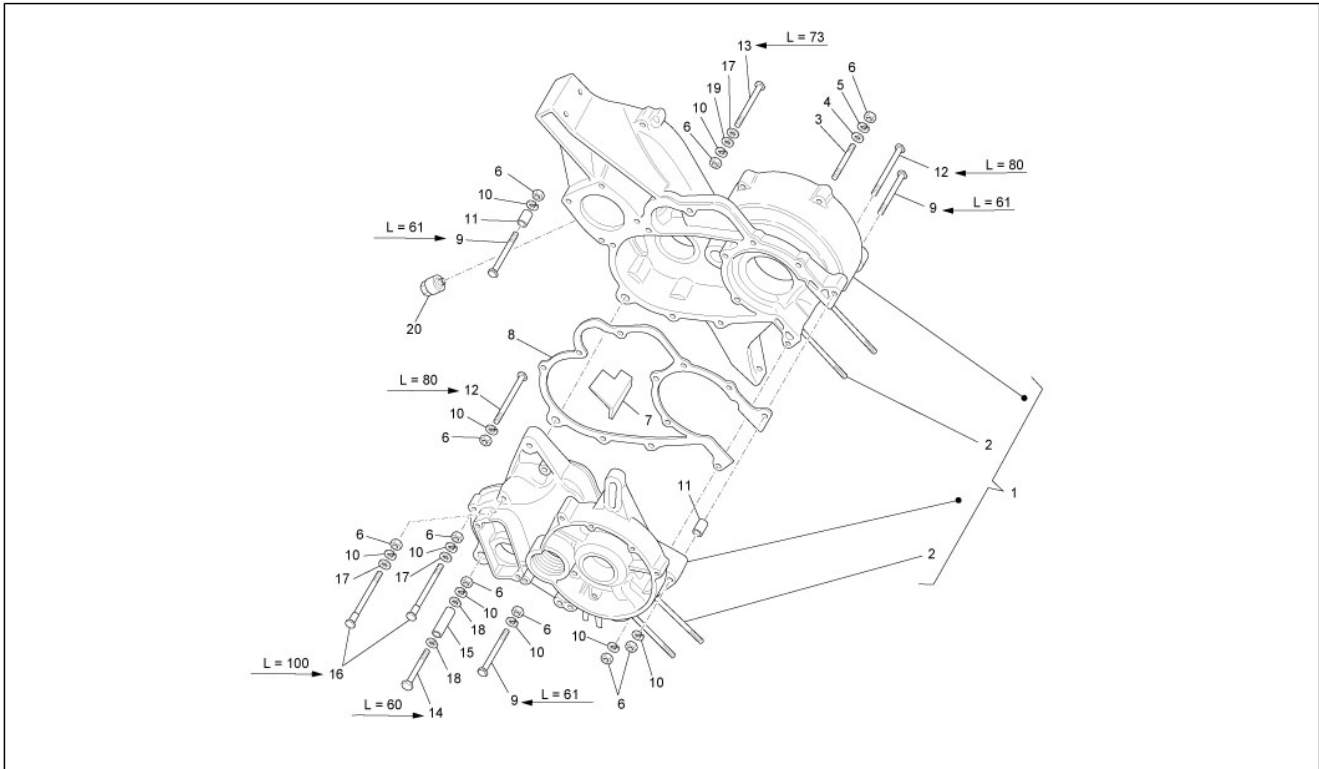
Pos.	Code	Description	Qty	Variants
1	8444735	***MOT.APE 220 TM	1	
2	8444745	***MOT.APE 220 TM	1	
3	569724	Protection sheet	1	
4	CM017408	Plate	4	
5	611600	Protection sheet	1	
6	611747	Rh rear apron	1	
7	008455	screw	4	
8	008455	screw	10	
9	013763	Flat washer 4,2x12x1	4	
10	013963	Washer	10	

<b>Group</b>	Engine
<b>Code</b>	01.04
<b>Description</b>	Engine gaskets
<b>Service</b>	1



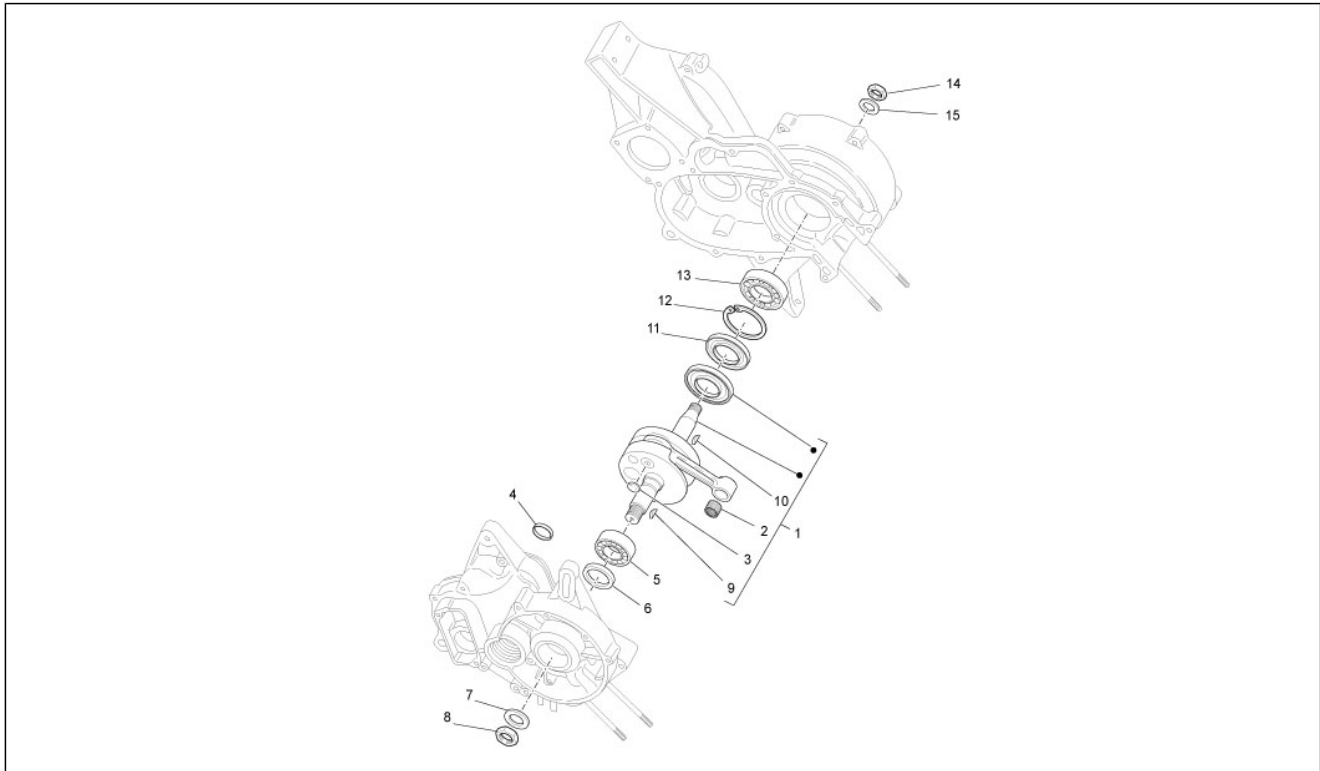
Pos.	Code	Description	Qty	Variants
1	154609	Gasket set	1	

<b>Group</b>	Engine
<b>Code</b>	01.05
<b>Description</b>	Crankcase
<b>Service</b>	1



Pos.	Code	Description	Qty	Variants
1	2883555	Carter w.p.i.	1	
2	016058	Stud bolt	4	
3	000439	***STUD	1	
4	003057	Washer	2	
5	016407	Washer	2	
6	020107	Nut	20	
7	126018	Guard	1	
8	878443	***CRANKCASE PACKING	1	
9	008327	Bolt	7	
10	006977	Washer	20	
11	005437	Locating dowel	2	
12	008419	Bolt	3	
13	008411	Bolt	2	
14	015561	Bolt	1	
15	005433	Locating dowel	1	
16	008415	Bolt	4	
17	077713	Flat washer	6	
18	006133	Flat washer	2	
19	013880	Flat washer 16x6,5x1,5	1	
20	235218	Cover	1	

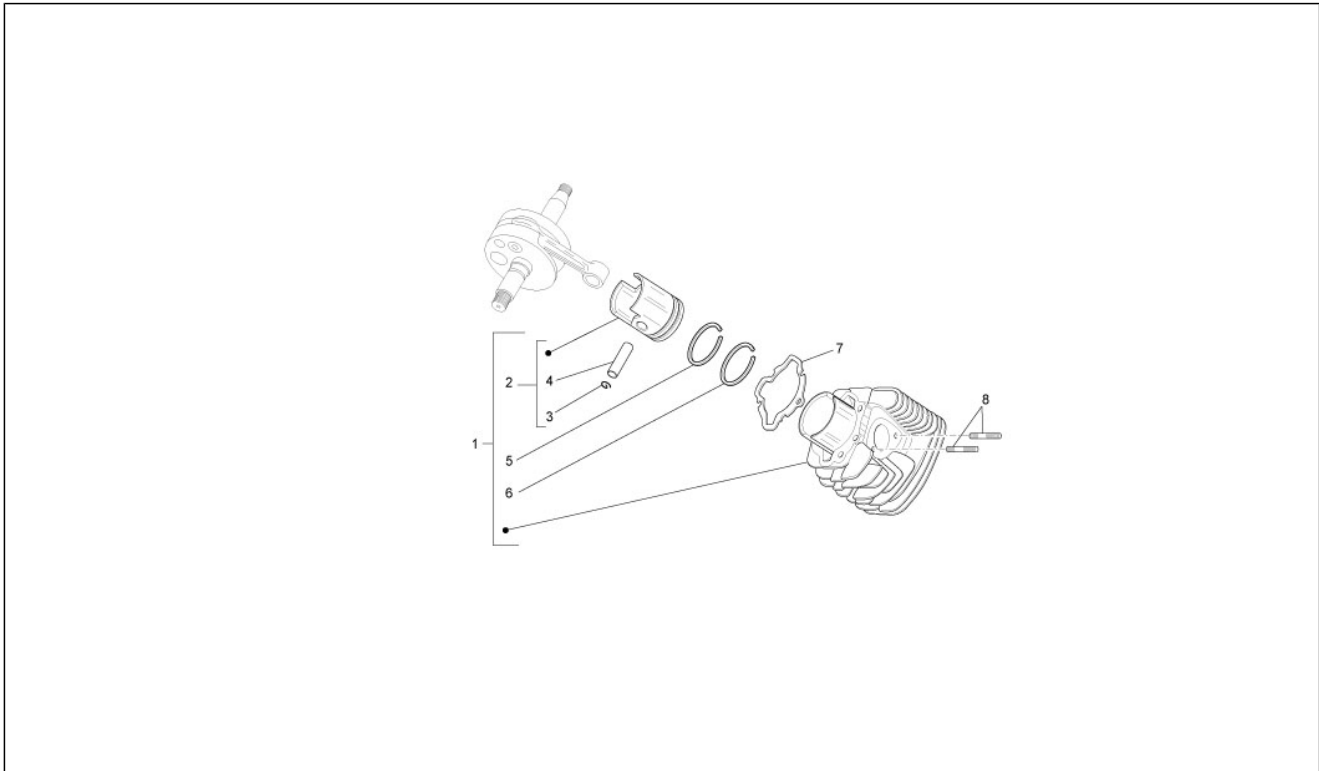
<b>Group</b>	Engine
<b>Code</b>	01.06
<b>Description</b>	Crankshaft
<b>Service</b>	1



Pos.	Code	Description	Qty	Variants
1	1996041	Complete crankshaft	1	
2	500531	Roller cage	1	
2	500532	Roller cage	1	
2	500533	Roller cage	1	
2	500534	Roller cage	1	
3	169767	Spacer	1	
4	221261	Oil container ring	1	
5	134591	Roller bearing	1	
6	169810	Gasket ring	1	
7	012557	Washer	1	
8	021216	Nut	1	
9	000097	Transmission key	1	
10	018209	Transmission key	1	
11	222478	Gasket ring	1	
12	006662	Snap ring	1	
13	169809	Ball bearing	1	
14	168904	Nut	1	
15	224362	Washer	1	

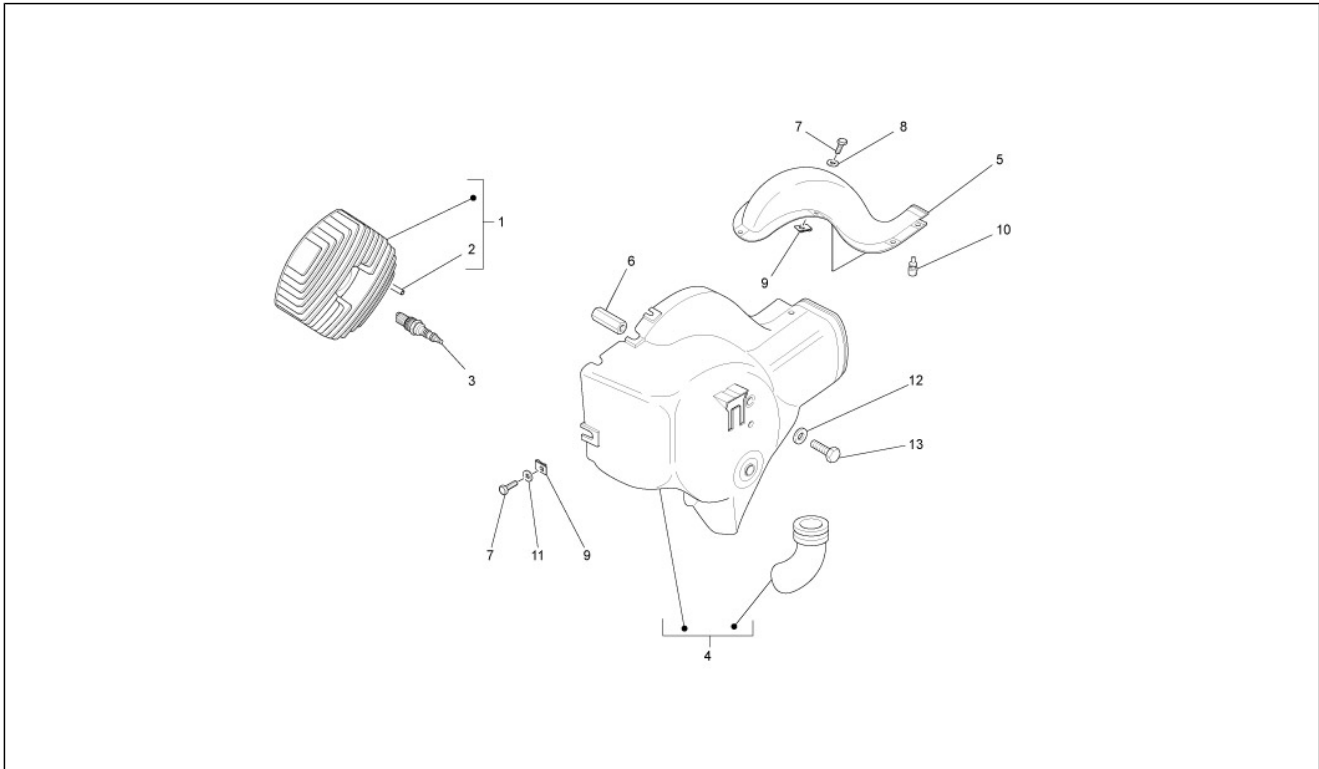


<b>Group</b>	Engine
<b>Code</b>	01.07
<b>Description</b>	Cylinder-piston-wrist pin unit
<b>Service</b>	1



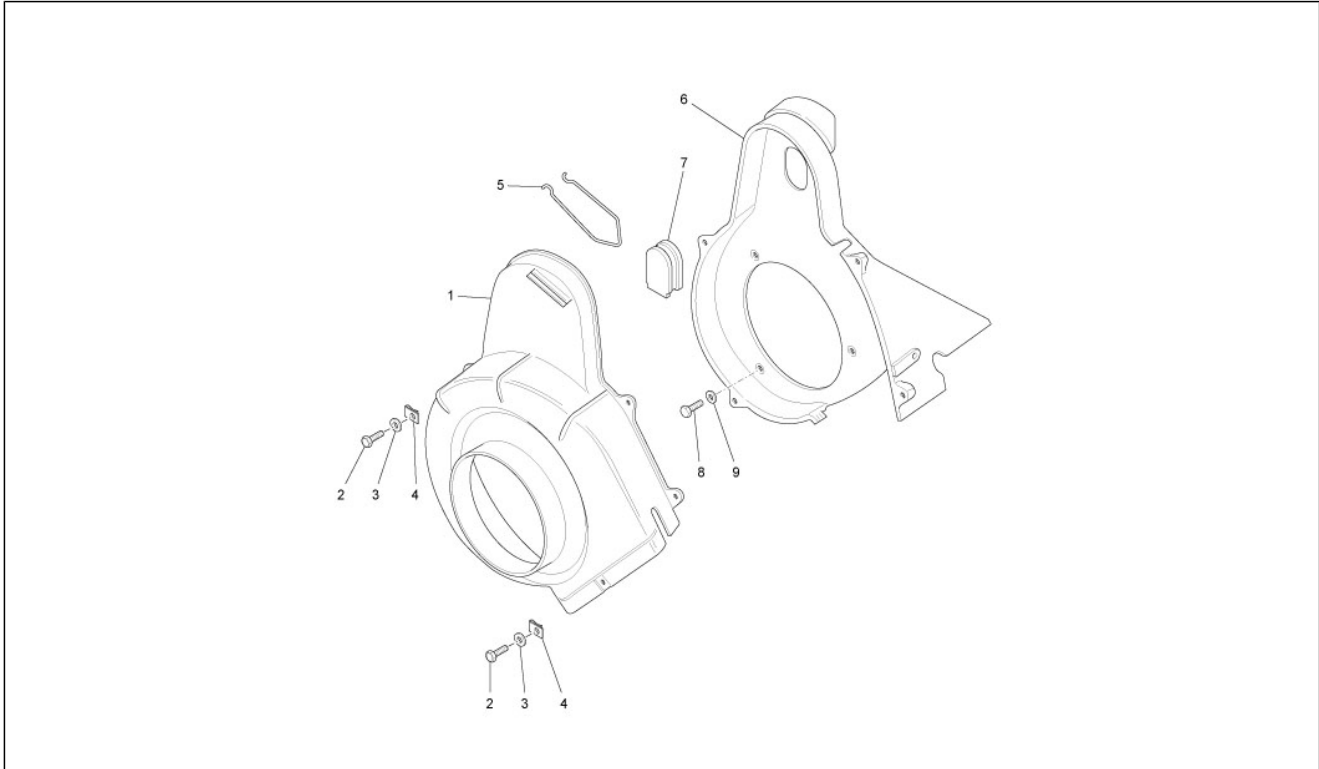
Pos.	Code	Description	Qty	Variants
1	832349	Cylinder-piston assembly	1	
2	1975180001	Piston assy	1	
2	1975180002	Piston assy	1	
2	1975180003	Piston assy	1	
2	1975180004	Piston assy	1	
2	197523	Piston assy	1	
2	197524	Piston assy	1	
2	197525	Piston assy	1	
3	006618	Circlip D18	2	
4	1363034	Piston pin	1	
5	136339	Gasket ring	1	
5	137130	Gasket ring	1	
5	137131	Gasket ring	1	
5	137132	Gasket ring	1	
6	197422	Gasket ring	1	
6	197423	Gasket ring	1	
6	197424	Gasket ring	1	
6	197425	Gasket ring	1	
7	873212	***PACKING	1	
8	003978	Stud bolt	2	

<b>Group</b>	Engine
<b>Code</b>	01.12
<b>Description</b>	Cylinder head cover
<b>Service</b>	1



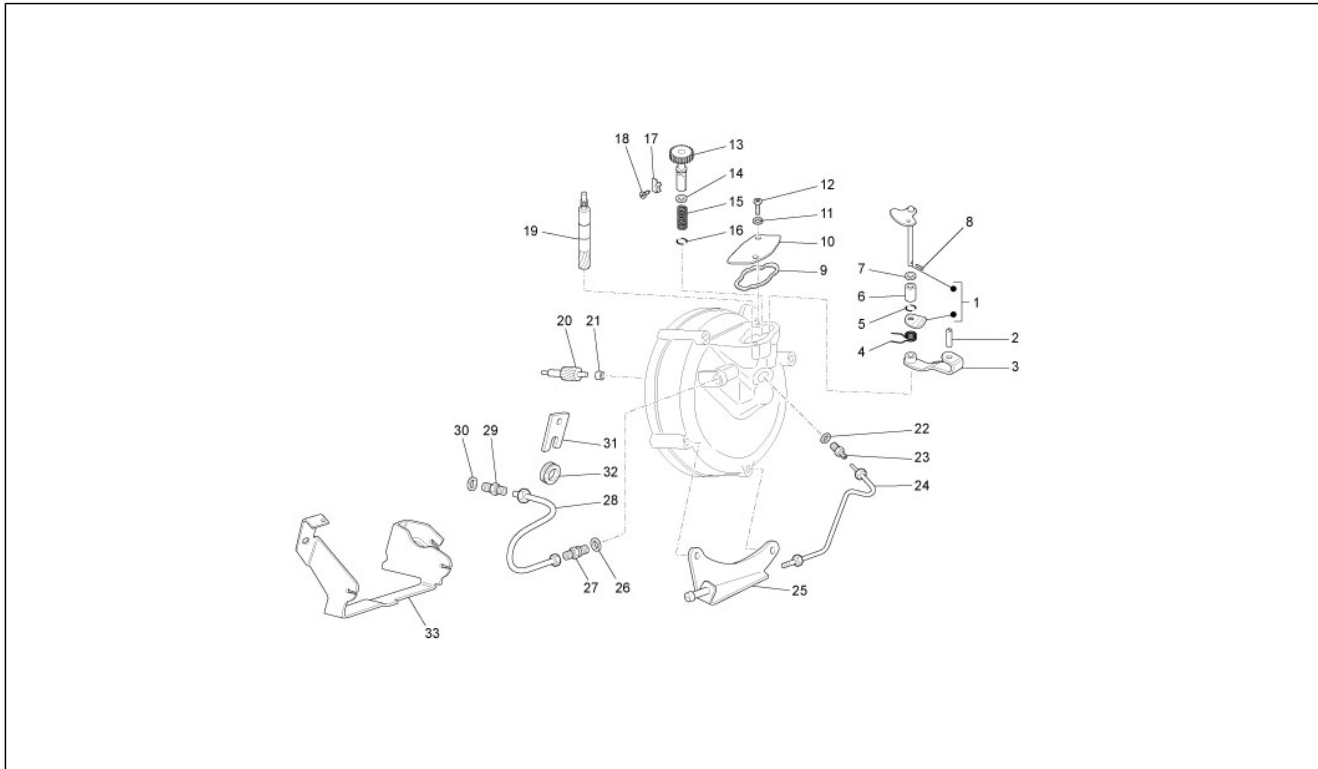
Pos.	Code	Description	Qty	Variants
1	288671	Cylinder head	1	
2	162391	Pipe	1	
3	486279	Spark plug	1	
4	231308	Fairing cooling system	1	
5	831944	***SCATOLA CHIUSU	1	
6	244998	Nut	1	
7	008987	screw	8	
8	013754	Washer	7	
9	CM017414	***SPRING PLATE	4	
10	195700	Drift	1	
11	078307	Washer	1	
12	006968	Washer	1	
13	031119	screw	1	

<b>Group</b>	Engine
<b>Code</b>	01.15
<b>Description</b>	Crankcase cover - Crankcase cooling
<b>Service</b>	1



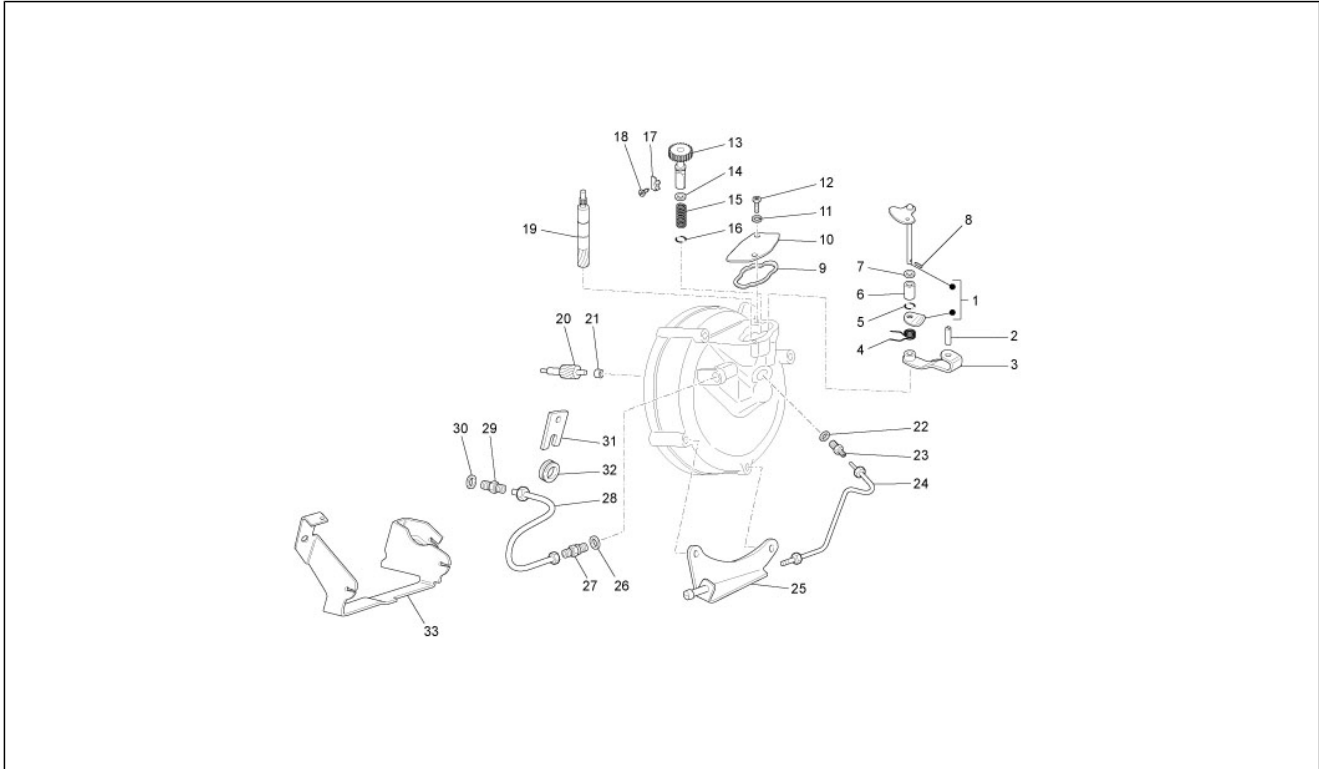
Pos.	Code	Description	Qty	Variants
1	230655	Fan cover	1	
2	008987	screw	4	
3	013754	Washer	4	
4	CM017414	***SPRING PLATE	1	
5	115738	Spring	1	
6	244951	Casing, fan	1	
7	115530	Plug	1	
8	031089	Hex screw M6x18	3	
9	078307	Washer	3	

<b>Group</b>	Engine
<b>Code</b>	01.18
<b>Description</b>	Oil pump
<b>Service</b>	1



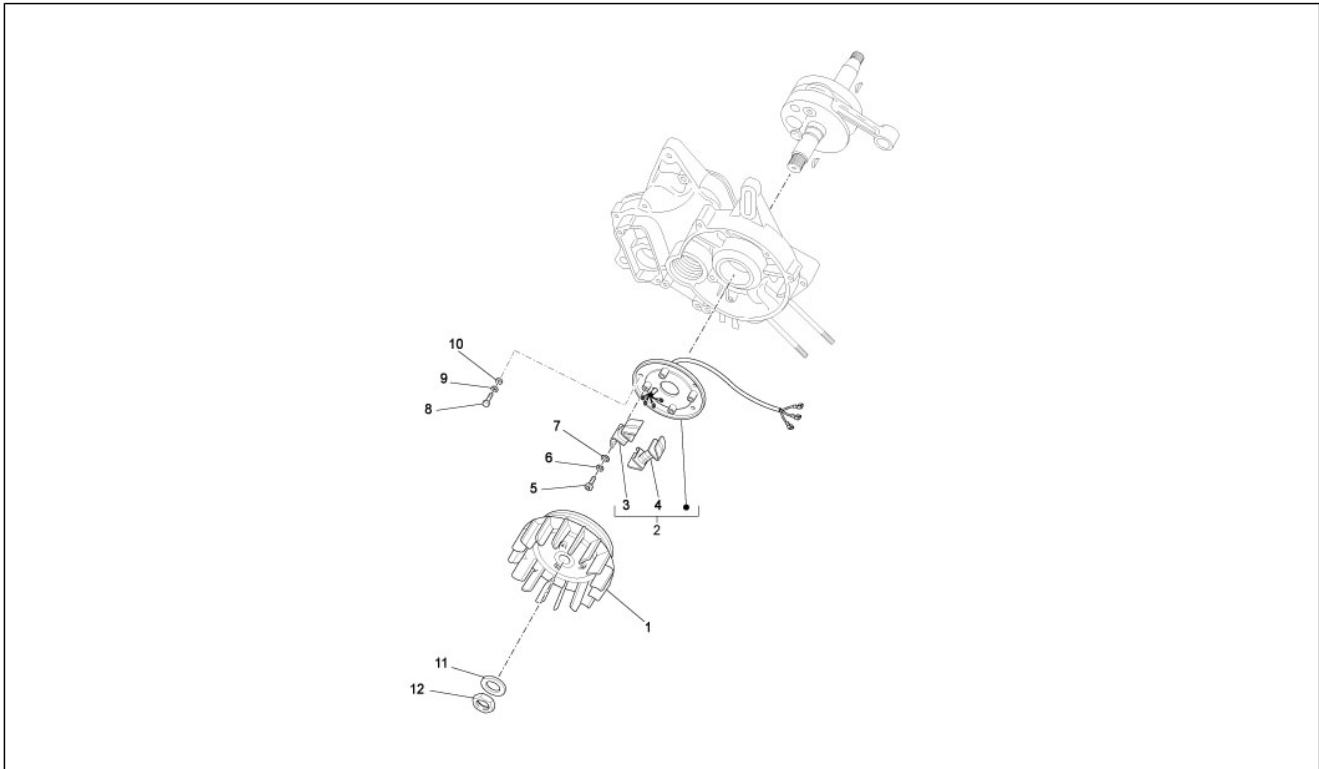
Pos.	Code	Description	Qty	Variants
1	221225	Shaft pin	1	
2	133516	Pin	1	
3	1445244	Lever assembly	1	
4	199899	Spring	1	
5	006705	Gasket ring	1	
6	217635	Bush	1	
7	143315	Washer	1	
8	008806	Spring pin	1	
9	144521	Gasket	1	
10	144520	Mixer cover	1	
11	016405	Spring washer 8,5x5,1x1,5	2	
12	015935	TBCIC Screw M5x12	2	
13	218335	Pump element assy.	1	
14	400282	Washer	1	
15	143328	Spring	1	
16	006708	Gasket	2	
17	146087	Plate	1	
18	146086	screw	1	
19	143316	Counter shaft	1	
20	221204	Mixer gear	1	
21	221203	Bush	1	
22	184138	Gasket	1	
23	220302	screw	1	
24	220303	pipe	1	
25	2213004	Maintenance	1	
26	221098	Gasket	1	
27	221140	screw	1	
28	221142	Union	1	

<b>Group</b>	Engine
<b>Code</b>	01.18
<b>Description</b>	Oil pump
<b>Service</b>	1



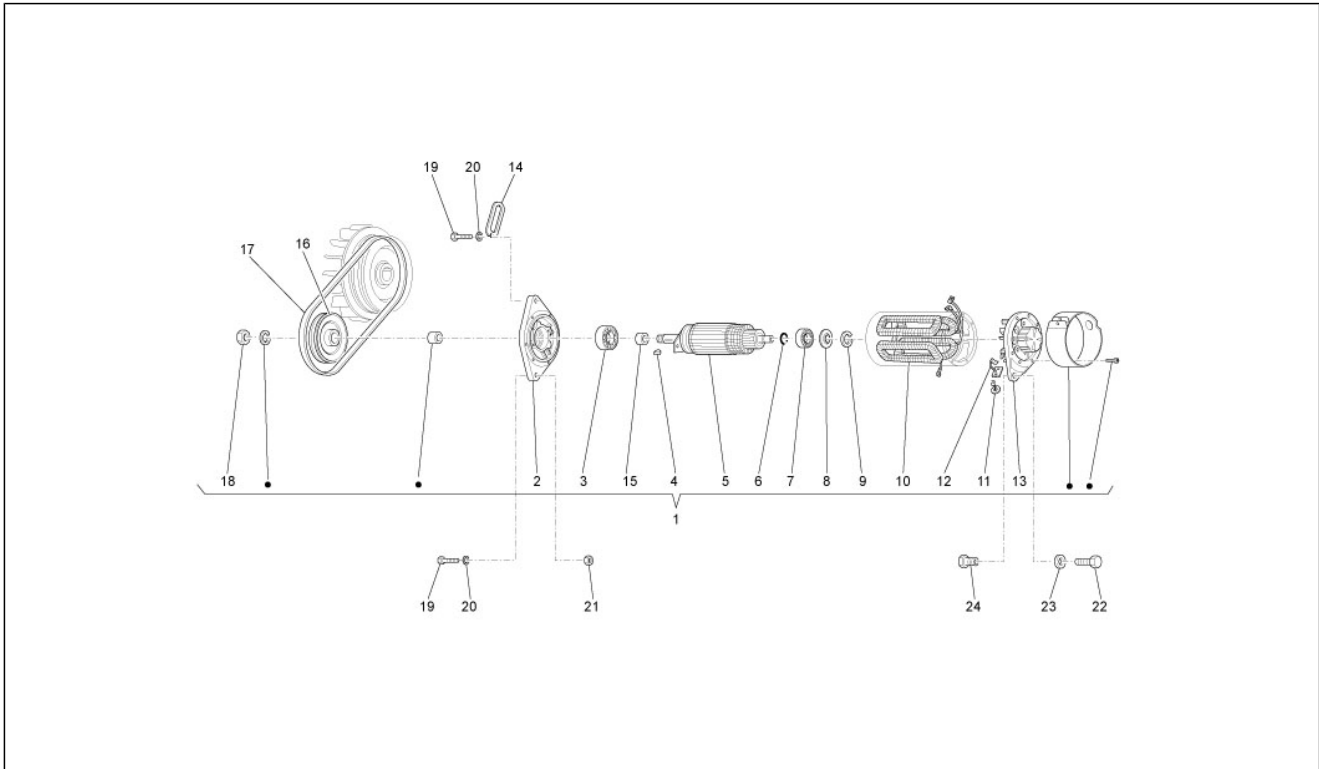
Pos.	Code	Description	Qty	Variants
29	2210536	Union	1	
30	166741	Gasket	1	
31	195718	Plate	1	
32	016516	Fairlead	1	
33	221354	Housing	1	

<b>Group</b>	Engine
<b>Code</b>	01.21
<b>Description</b>	Flywheel magneto
<b>Service</b>	1



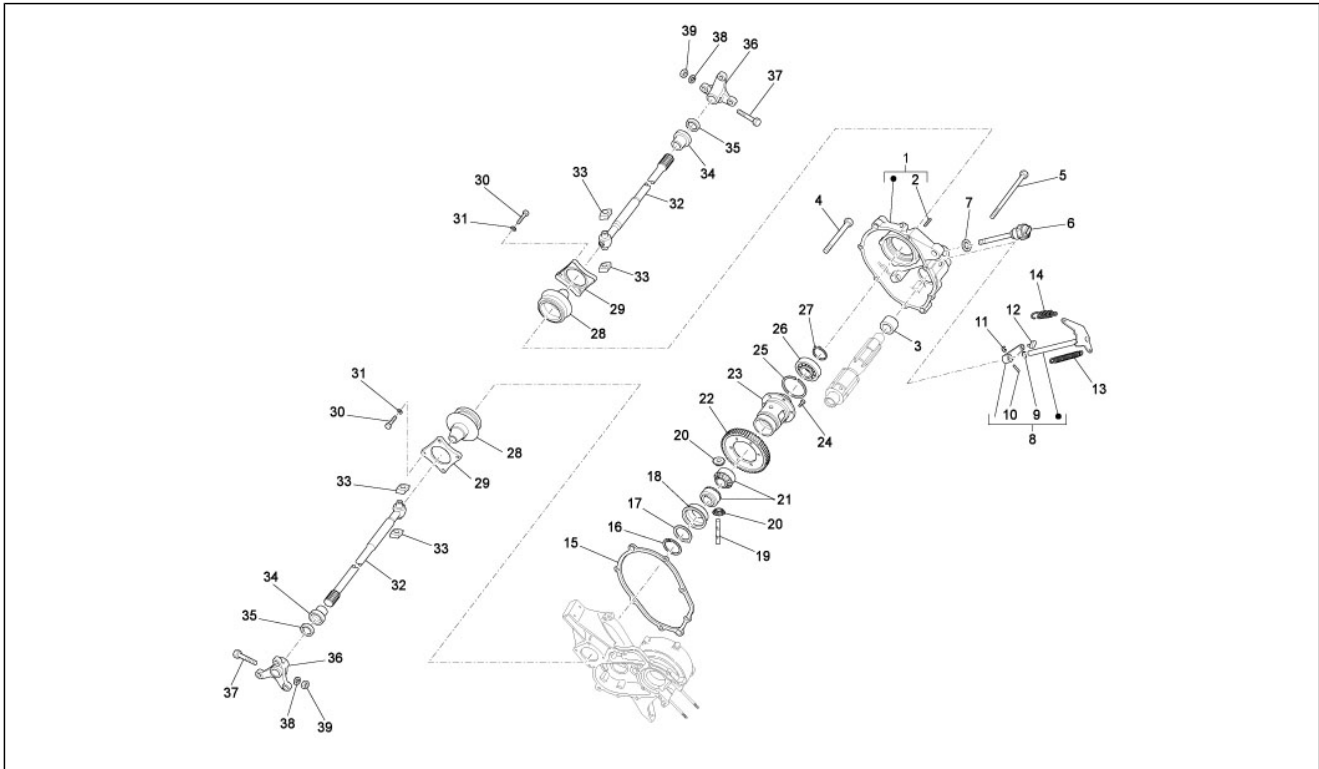
Pos.	Code	Description	Qty	Variants
1	2156613	Rotor with fan	1	
2	2202353	Coil support	1	
3	195006	Ignition coil	1	
4	196108	Coil	1	
5	015612	screw	2	
6	016404	Flat washer 4,2x7,6x0,9	2	
7	003054	Washer 4,3x8x0,5	2	
8	000292	screw	3	
9	006965	Washer 5.3x10x10	3	
10	003055	Plain washer 5,4x10x0,8	3	
11	012557	Washer	1	
12	021216	Nut	1	

<b>Group</b>	Engine
<b>Code</b>	01.22
<b>Description</b>	Alternator
<b>Service</b>	1



Pos.	Code	Description	Qty	Variants
1	157715	Dynastarter	1	
2	159932	***BRACKET	1	
3	159931	Bearing	1	
4	159928	Transmission key	1	
5	159927	Rotor	1	
6	159926	Ring	1	
7	159924	Bearing	1	
8	159925	Disc	1	
9	159923	Spring washer	1	
10	180680	Generator field	1	
11	159921	Spring	1	
12	159922	Brush	1	
13	159920	Maintenance plate	1	
14	116365	plate	1	
15	159929	***SPACER	1	
16	112875	Pulley	1	
17	113256	Belt	1	
18	159936	Nut	1	
19	030072	screw	1	
20	016408	Spring washer 13,75x8,15x4,5	1	
21	020108	Nut M8x6,5	1	
22	031159	Screw m10x35 if	1	
23	016410	Washer 17,6x11x2,5	1	
24	113634	Bush	1	

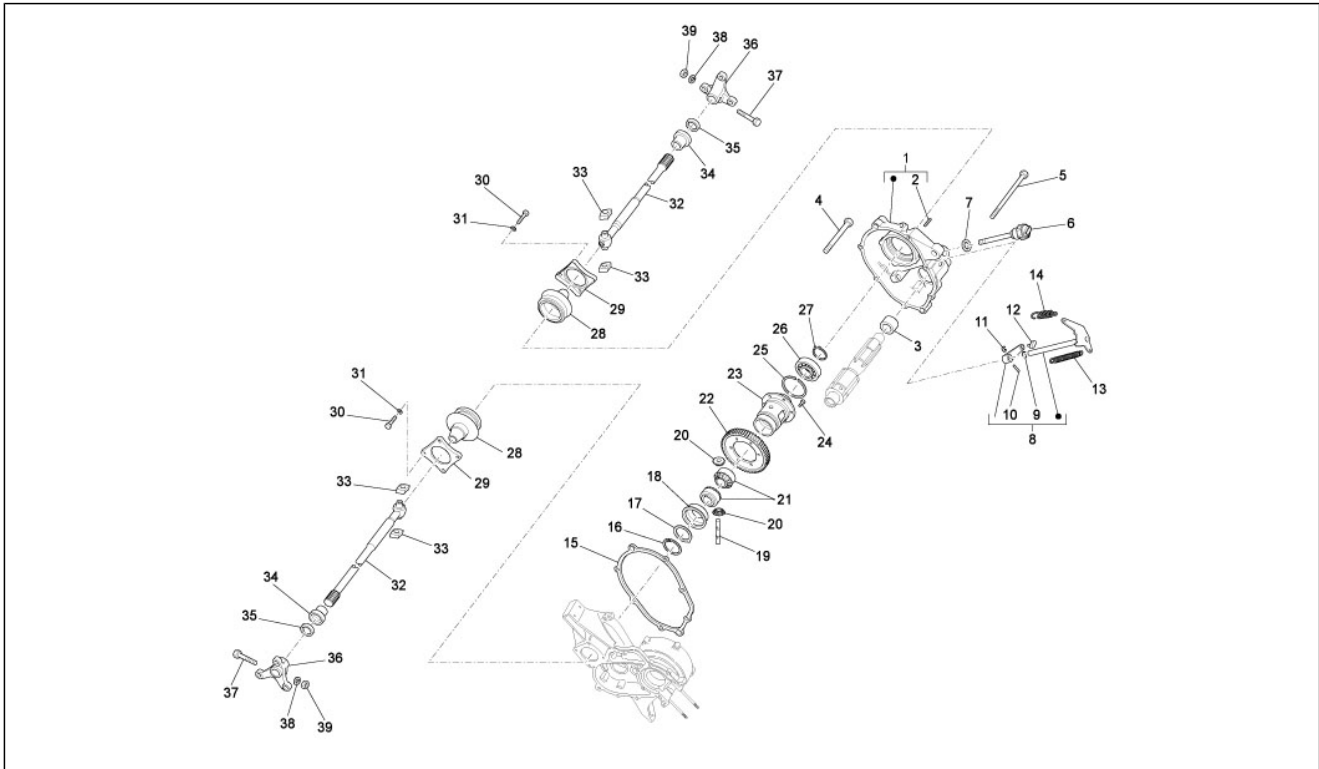
<b>Group</b>	Engine
<b>Code</b>	01.28
<b>Description</b>	Rear transmission
<b>Service</b>	1



Pos.	Code	Description	Qty	Variants
1	2882735	Differential gear cover	1	
2	008843	Spring pin	1	
3	125289	Roller bearing	1	
4	008933	screw	1	
5	015599	screw	1	
6	112898	Cover	1	
7	008728	Gasket	1	
8	239236	Rev. gear control	1	
9	006708	Gasket	1	
10	008836	Spring pin	1	
11	005965	Ring	1	
12	1107264	Sliding block	1	
13	246836	Spring	1	
14	246509	Spring	1	
15	873221	***GASKET	1	
16	132134	Circlip	1	
17	220575	Washer	1	
18	132244	Screw	1	
19	132129	Pivot for planetary bevel wheels	1	
20	165155	Gear	2	
21	132136	Planet.gear	2	
22	239228	Chain ring	1	
23	288730	Differential case	1	
24	168065	screw	6	
25	1697284	***GEAR PIN	1	
26	007066	Ball bearing	1	
27	006450	Snap ring	1	
28	876682	***OIL SEAL CASING	2	

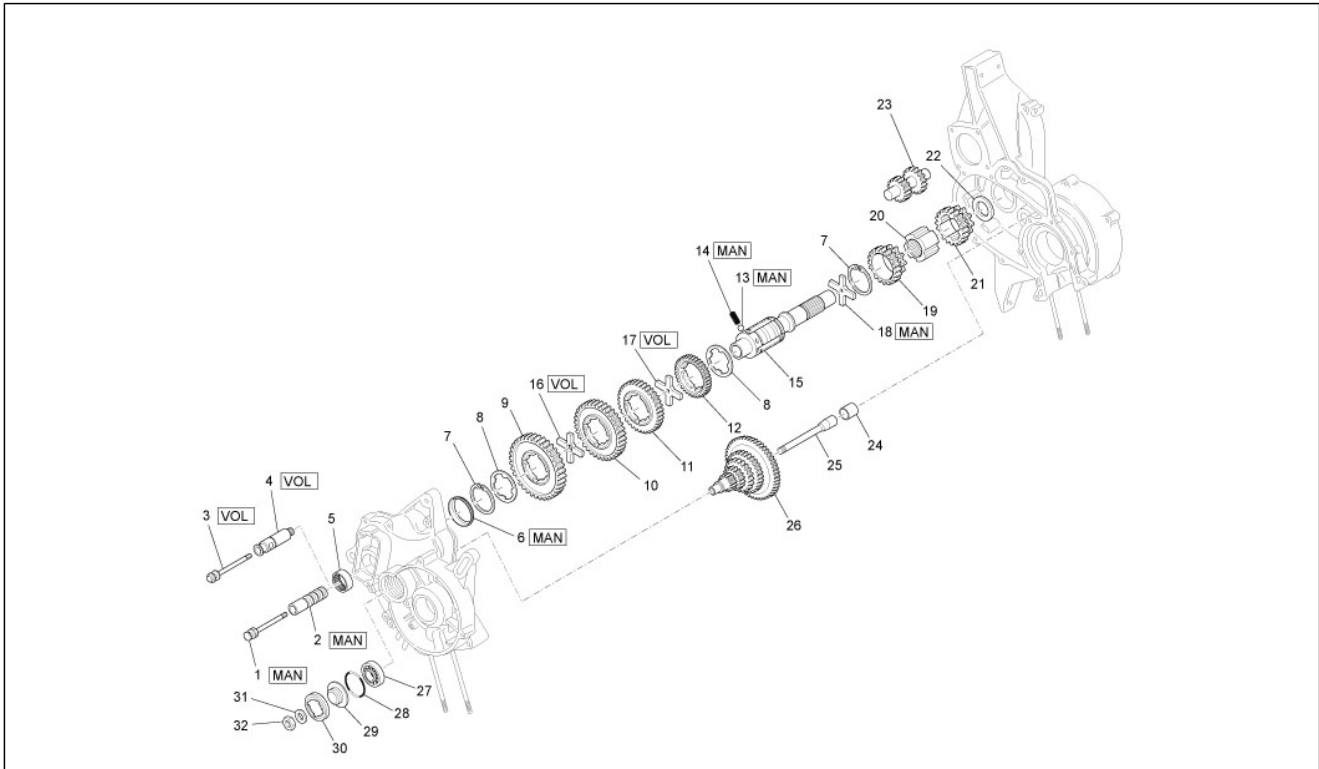


<b>Group</b>	Engine
<b>Code</b>	01.28
<b>Description</b>	Rear transmission
<b>Service</b>	1



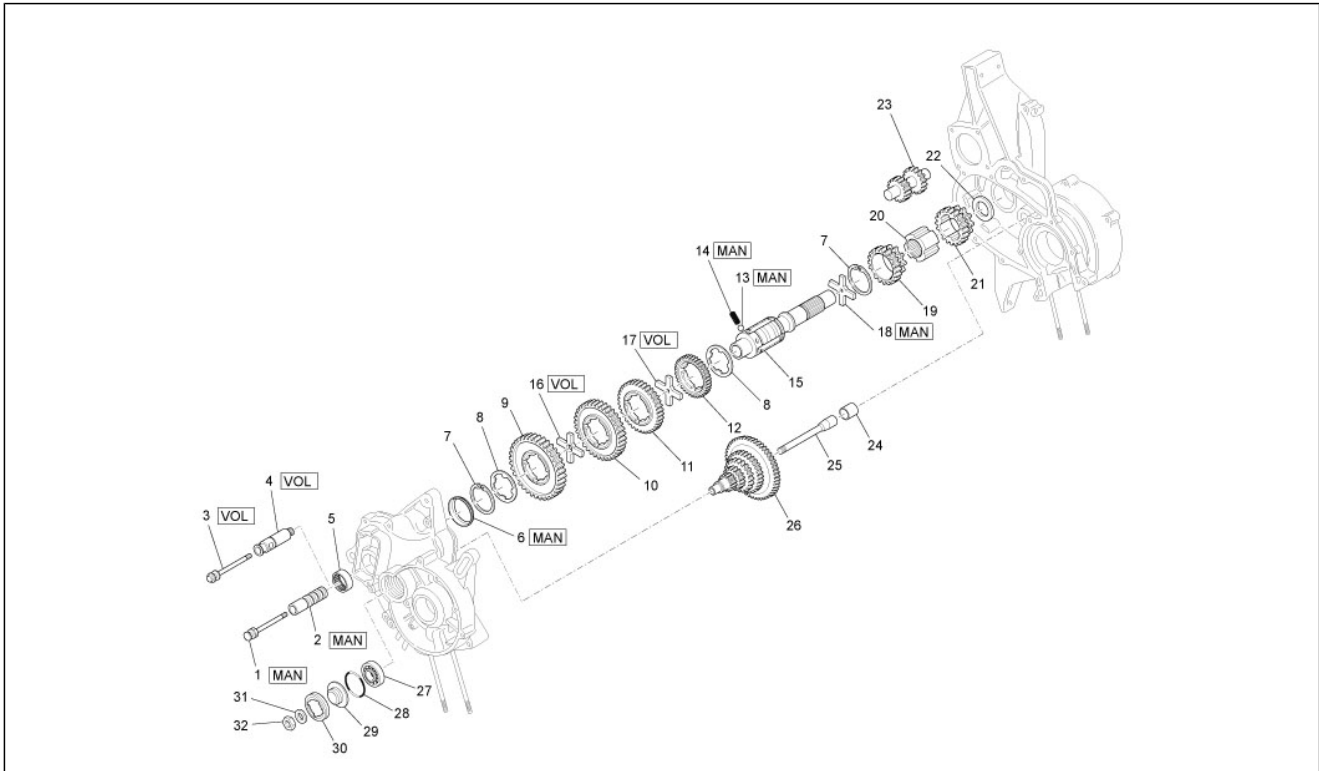
Pos.	Code	Description	Qty	Variants
29	111356	Plug	2	
30	031092	screw M6x25	8	
31	016406	Spring washer 6,4x11,8x1	8	
32	199076	Axle shaft	2	
33	112867	Sliding block	4	
34	113278	Bush	2	
35	431044	Gasket ring	2	
36	2681924	Hub	2	
37	015578	Hex screw M10x45	2	
38	016410	Washer 17,6x11x2,5	2	
39	015252	Nut m10x1,5 h=8	2	

<b>Group</b>	Engine
<b>Code</b>	01.31
<b>Description</b>	Gear-box components
<b>Service</b>	1



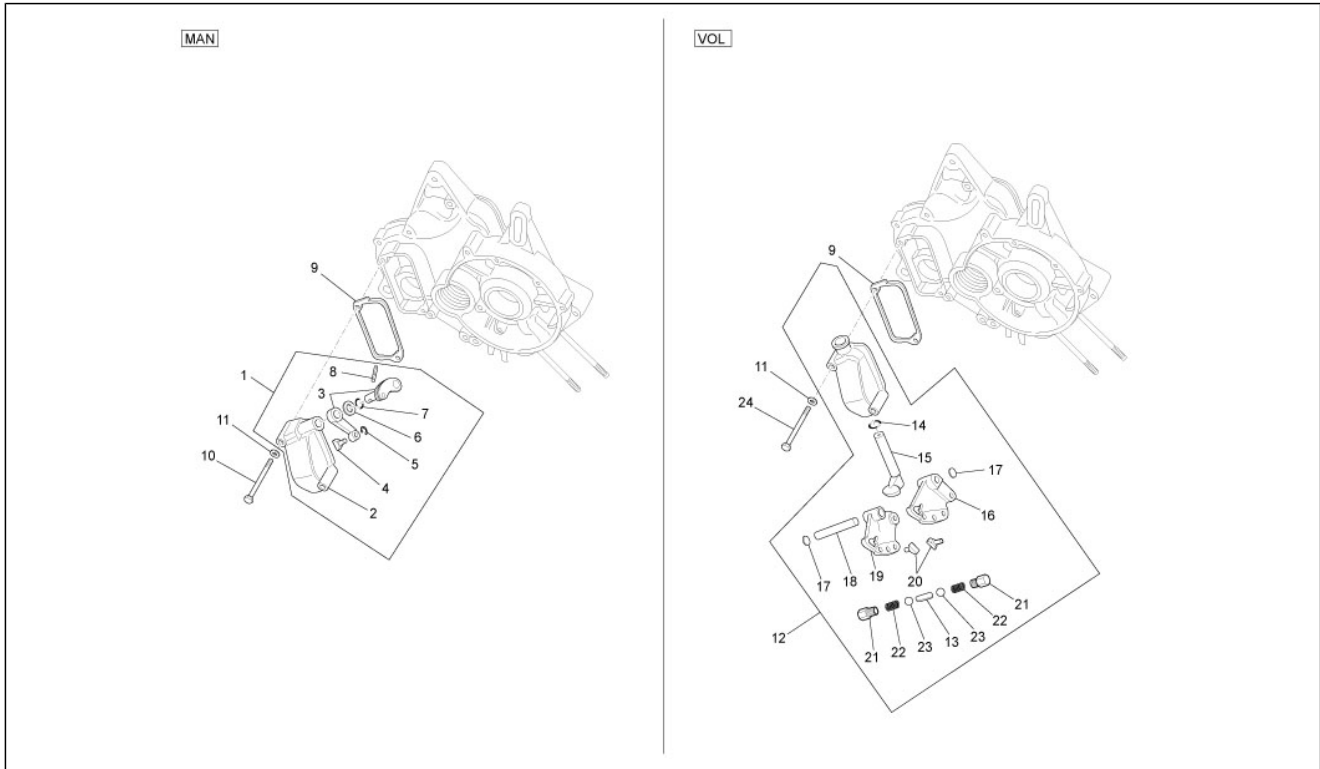
Pos.	Code	Description	Qty	Variants
1	199927	Sleeve	1	
2	199928	Bush	1	
3	849219	***STEM	1	
4	849220	***STEM	1	
5	128635	Roller bearing	1	
6	169737	Circlip	1	
7	009101	Ring	2	
8	138393	Ring	2	
8	165415	Ring	1	
8	165416	Ring	1	
8	165417	Ring	1	
8	165418	Ring	1	
9	169733	1st gear	1	
10	169734	2nd gear	1	
11	169735	3rd gear	1	
12	169736	4th gear	1	
13	002139	Ball	2	
14	169738	Spring	2	
15	8492275	***MAINSHAFT	1	
16	2215686	Gear selector 1th and 2nd speed	1	
17	2215696	Gear selector 3rd and 4th speed	1	
18	199929	Gear selector	1	
19	239229	Gear	1	
20	239232	Gear	1	
21	239230	Sliding pinion	1	
22	129516	Shoulder washer	1	
22	239281	Washer	1	
23	239231	Reverse pinion	1	

<b>Group</b>	Engine
<b>Code</b>	01.31
<b>Description</b>	Gear-box components
<b>Service</b>	1



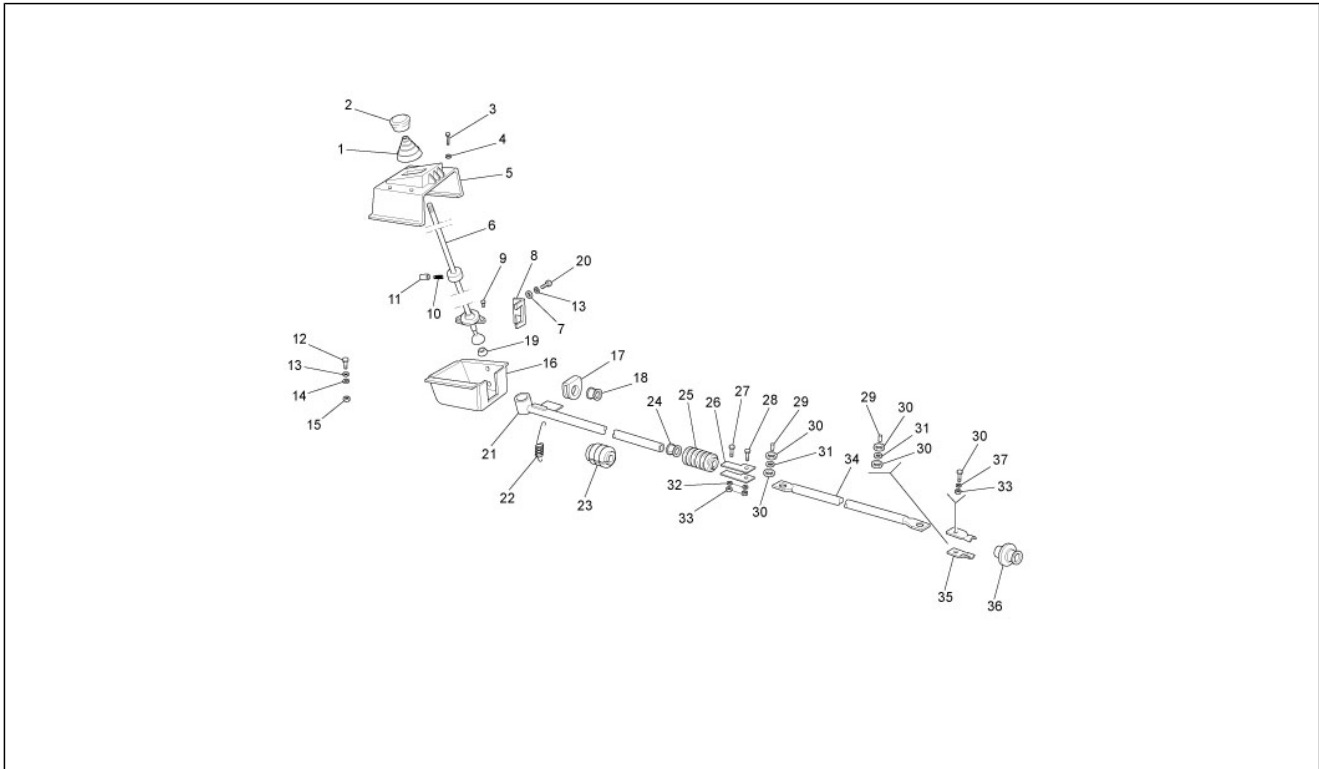
Pos.	Code	Description	Qty	Variants
24	090457	Bush	1	
25	1697285	Pin	1	
26	1782255	Gear	1	
27	030209	Ball bearing	1	
28	180379	Gasket	1	
29	159015	Cup	1	
30	078785	Ring nut	1	
31	078783	Washer	1	
32	015202	Nut	1	

<b>Group</b>	Engine
<b>Code</b>	01.32
<b>Description</b>	Gear lever
<b>Service</b>	1



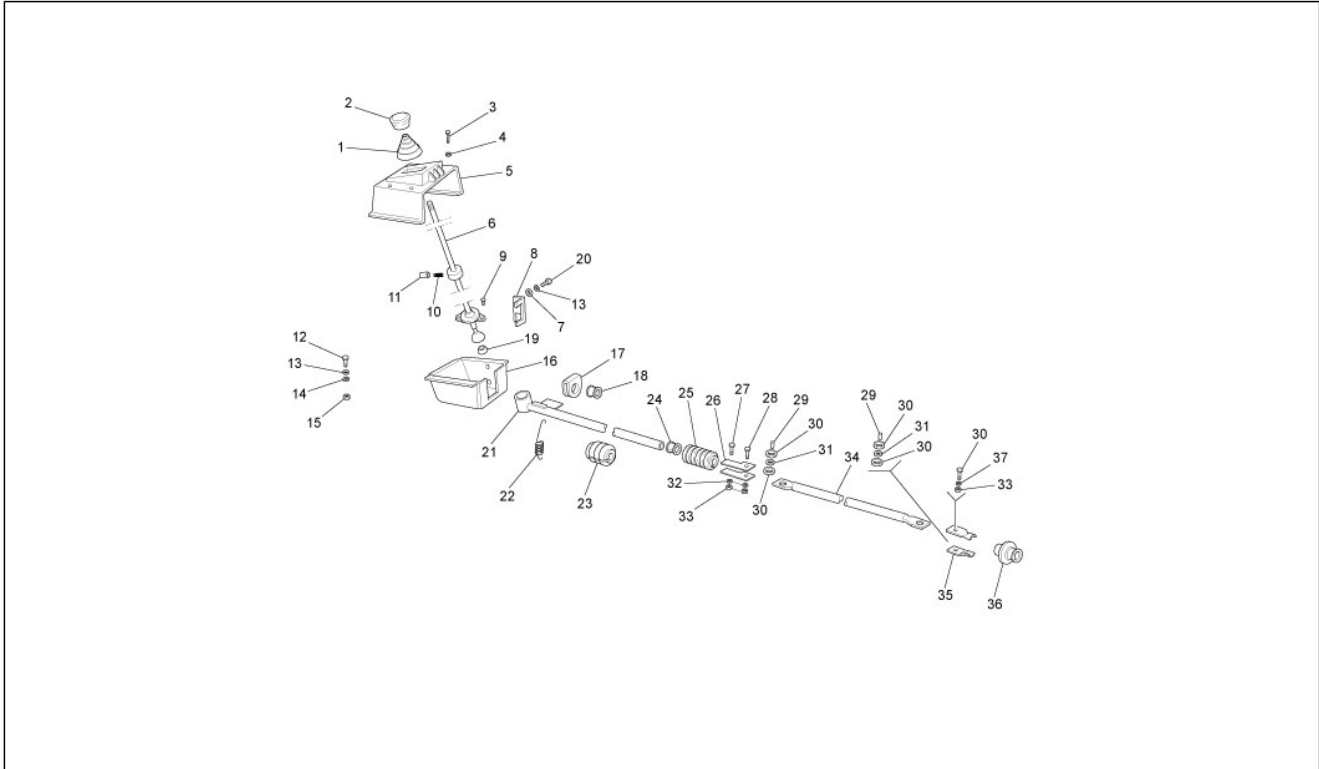
Pos.	Code	Description	Qty	Variants
1	221278	Gear box, assy.	1	
2	220123	Gear box	1	
3	2212786	***STATOR COMPLETE	1	
4	1115814	Sliding block	1	
5	005965	Ring	1	
6	006026	Spring washer	1	
7	006708	Gasket	1	
8	008835	Spring pin	1	
9	220124	Gasket	1	
10	015561	Bolt	2	
11	006977	Washer	2	
12	8492845	***BOX	1	
13	015656	screw	2	
14	006714	O-ring	1	
15	220157	Gear change key	1	
16	849238	***LEVER	1	
17	013501	Cover	2	
18	112202	Pin	1	
19	849245	***LEVER	1	
20	873031	***SLIDING PAD	2	
21	849246	***BALL HOUSING	2	
22	849250	***SPRING	2	
23	006380	Ball	2	

<b>Group</b>	Engine
<b>Code</b>	01.33
<b>Description</b>	Internal gear selectors
<b>Service</b>	1



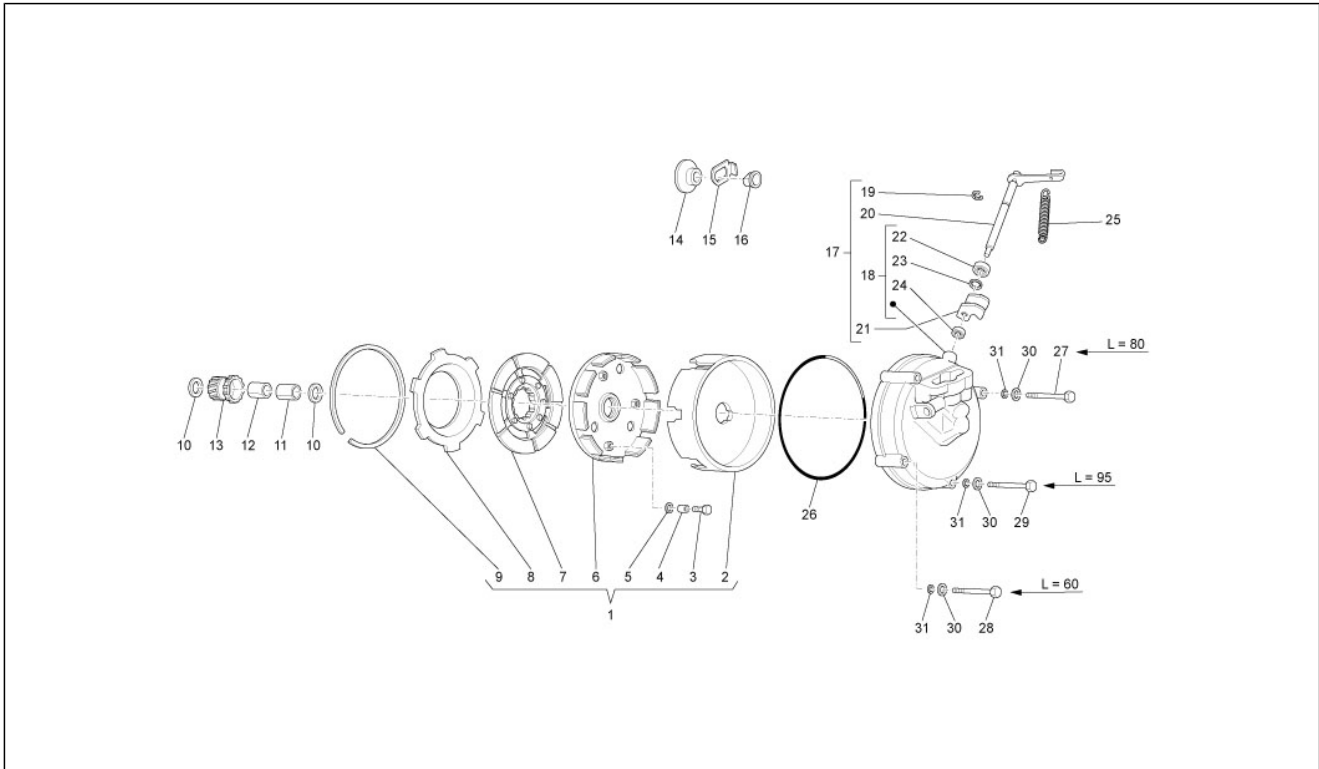
Pos.	Code	Description	Qty	Variants
1	219396	Bellows	1	
2	108995	Knob	1	
3	008372	Screw d3,5x13	4	
4	003056	Flat washer 6,4x12x1	4	
5	218894	Cover	1	
6	217946	Lever	1	
7	006175	Bolt	2	
8	136992	Square	1	
9	005713	Plate	3	
10	136762	Spring	1	
11	136761	Pin	1	
12	031088	screw M6x16	4	
13	016406	Spring washer 6,4x11,8x1	4	
14	247454	Bush	1	
15	191962	Nut	4	
16	21793902	Gear box	1	
17	249169	Flexible support	1	
18	107369	Bush	1	
19	128389	Spheric housing	1	
20	031084	screw	2	
21	2179413	***ROD APE ->217941	1	
22	217944	Spring	1	
23	136447	Bellows	1	
24	107369	Bush	1	
25	136448	Bush	1	
26	112171	Plate	2	
27	030052	screw	1	
28	031092	screw M6x25	3	

<b>Group</b>	Engine
<b>Code</b>	01.33
<b>Description</b>	Internal gear selectors
<b>Service</b>	1



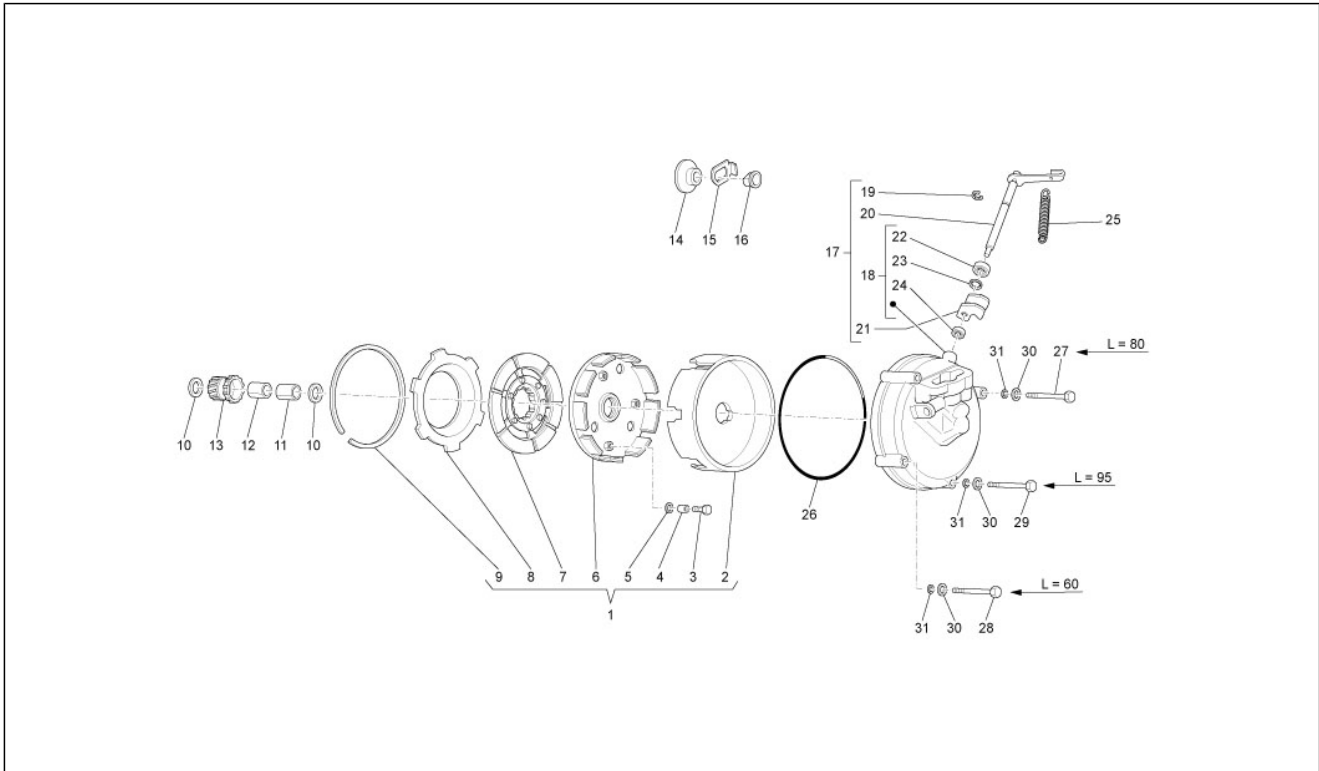
Pos.	Code	Description	Qty	Variants
29	112174	Spacer	2	
30	112175	Washer	4	
31	112173	Bush	2	
32	003054	Washer 4,3x8x0,5	4	
33	219277	Nut	4	
34	21794901	Tie rod	1	
35	112172	Plate	2	
36	129522	Protection	1	
37	016406	Spring washer 6,4x11,8x1	2	

<b>Group</b>	Engine
<b>Code</b>	01.34
<b>Description</b>	Clutch
<b>Service</b>	1



Pos.	Code	Description	Qty	Variants
1	2212475	Clutch assy	1	
2	1349965	Clutch housing	1	
3	031092	screw M6x25	3	
4	132637	Spacer	3	
5	016406	Spring washer 6,4x11,8x1	3	
6	2224905	Driving clutch disc	1	
7	1689095	Driven clutch disc	1	
8	167761	Mobile drive plate	1	
9	144400	Circlip	1	
10	222486	Bush	1	
11	222487	Bush	1	
12	222488	Shoulder washer	2	
13	222479	Drive gear	1	
14	133425	Pressure plate	1	
15	145104	Plate	1	
16	144408	Pin	1	
17	2212006	Clutch cover	1	
18	2212016	Clutch cover	1	
19	005970	Ring	1	
20	221736	Clutch lever	1	
21	167226	Front fork	1	
22	167016	Roller cage	1	
23	167018	Gasket ring	1	
24	167017	Roller cage	1	
25	112258	Spring	1	
26	078795	Gasket	1	
27	015656	screw	1	
28	015561	Bolt	2	

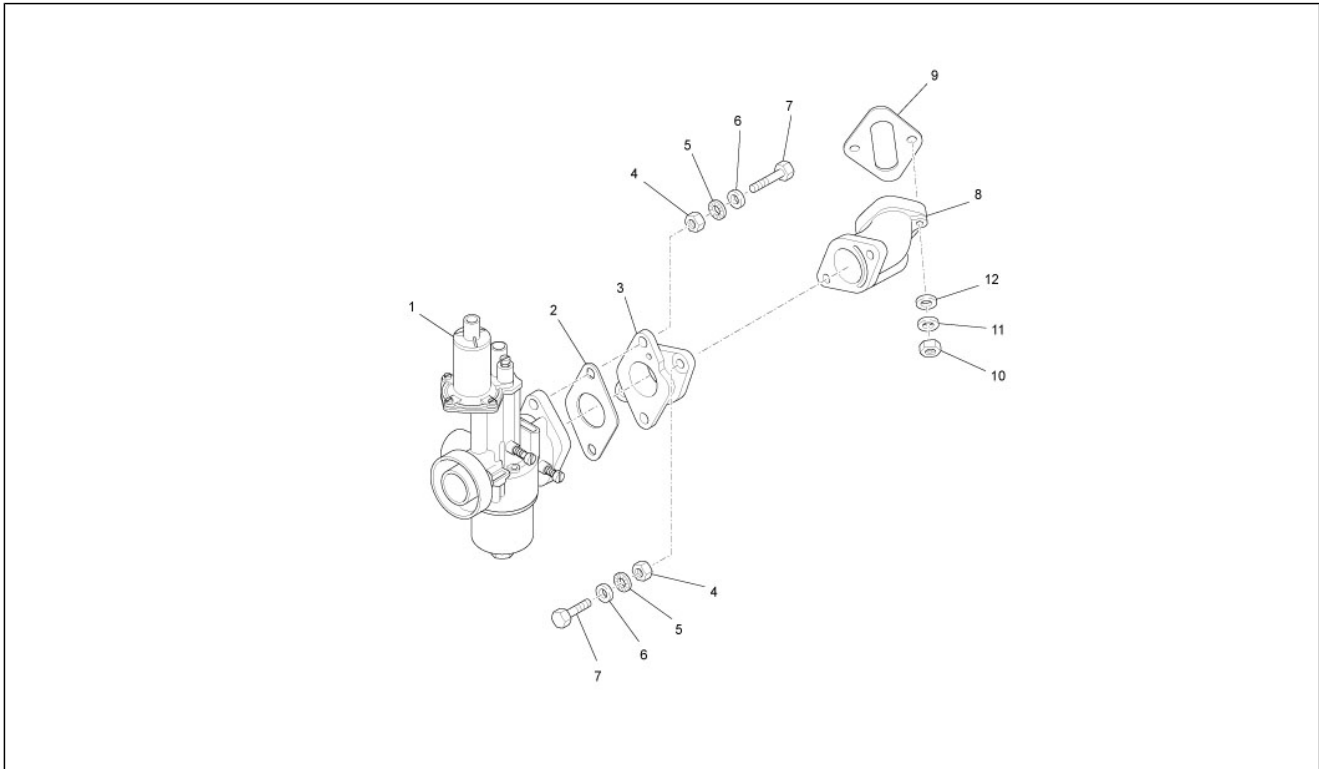
<b>Group</b>	Engine
<b>Code</b>	01.34
<b>Description</b>	Clutch
<b>Service</b>	1



Pos.	Code	Description	Qty	Variants
29	015563	***BOLT	1	
30	006977	Washer	4	
31	016407	Washer	4	

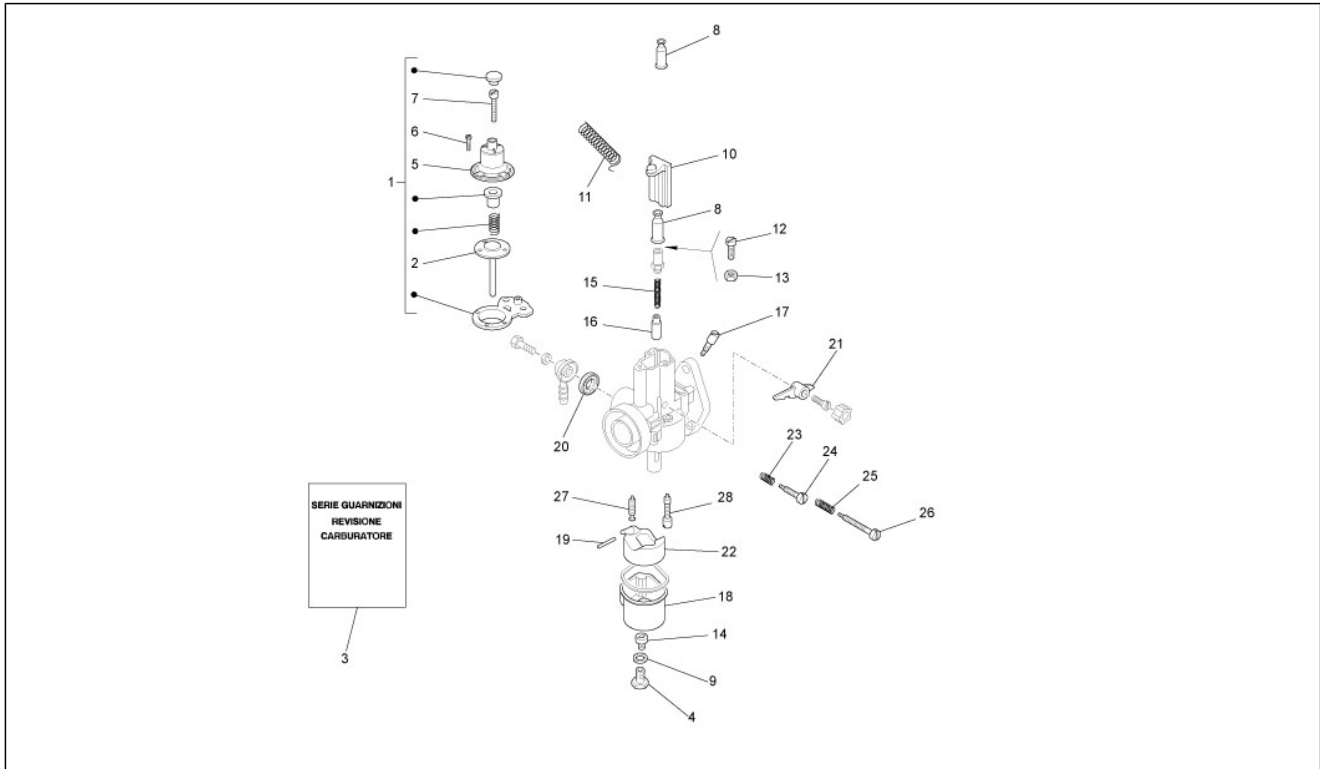


<b>Group</b>	Engine
<b>Code</b>	01.39
<b>Description</b>	Carburettor, assembly - Union pipe
<b>Service</b>	1



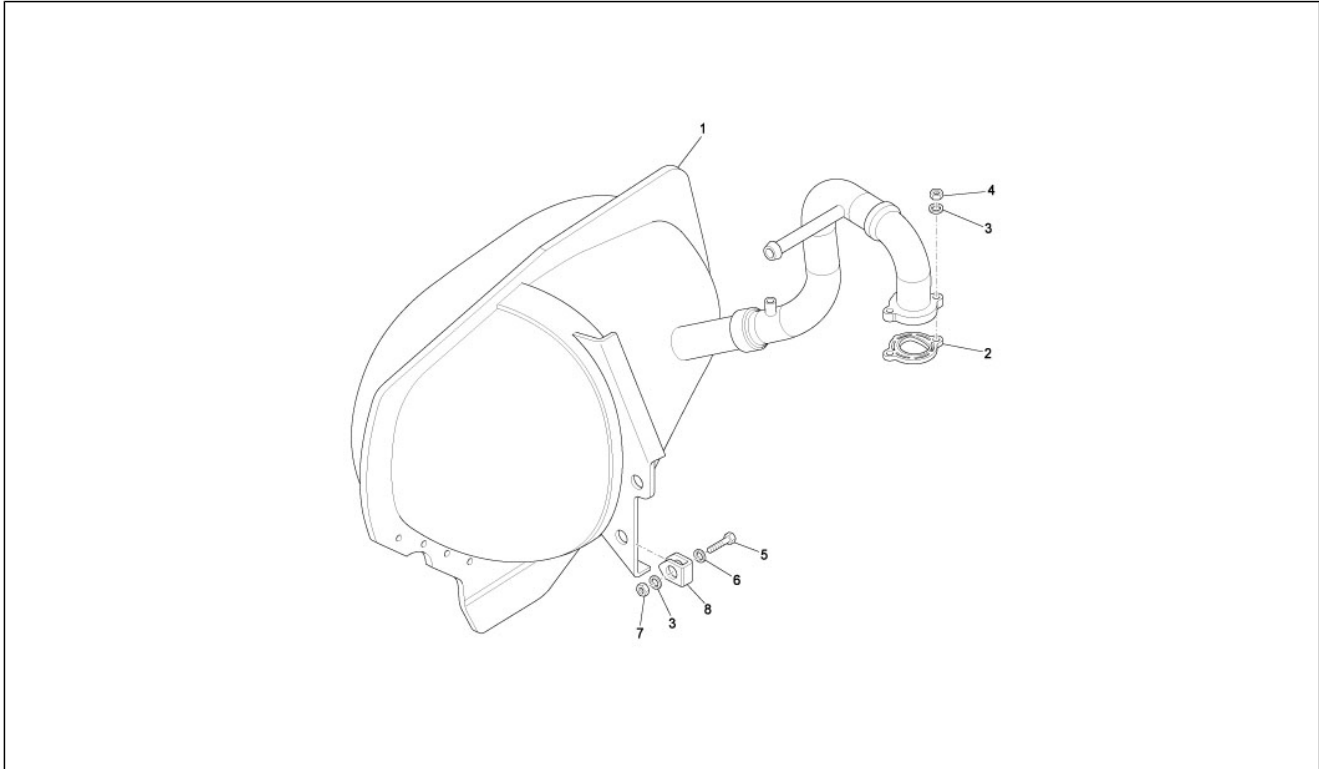
Pos.	Code	Description	Qty	Variants
1	832103	Carburettor	1	
2	113711	Float	2	
3	566859	Flexible support	1	
4	020106	Nut M6	4	
5	003056	Flat washer 6,4x12x1	4	
6	012533	Notched washer 6,6x11x0	4	
7	031091	Hex screw M6x22	4	
8	2204025	Union pipe	1	
9	113276	Gasket	1	
10	020107	Nut	2	
11	003057	Washer	2	
12	016407	Washer	2	

<b>Group</b>	Engine
<b>Code</b>	01.40
<b>Description</b>	Carburetor's components
<b>Service</b>	1



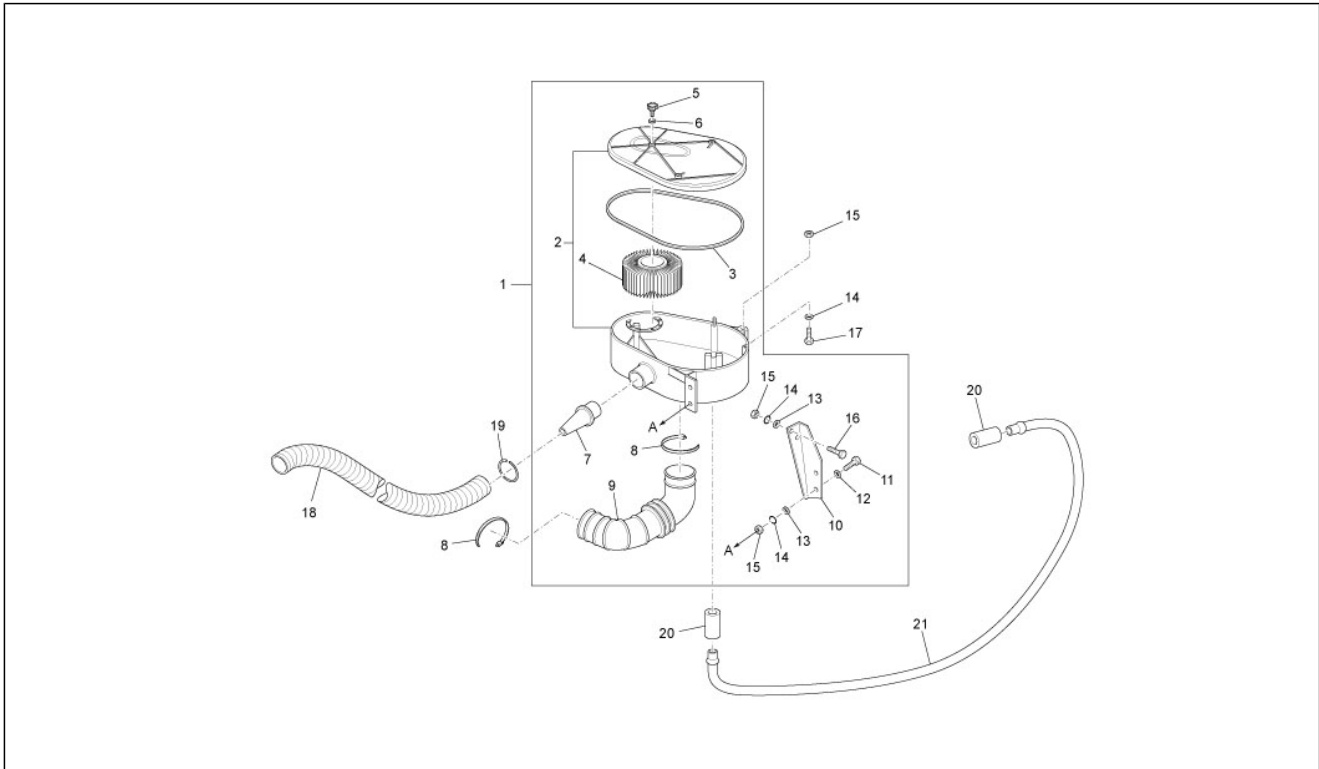
Pos.	Code	Description	Qty	Variants
1	195776	Deceleration device	1	
2	195785	Diaphragm	1	
3	154753	Gasket set	1	
4	493971	Cover	1	
5	195784	Cover	1	
6	195774	screw	1	
7	195788	screw	1	
8	813174	Cap	2	
9	493972	Plug gasket	1	
10	195764	Gas valve	1	
11	093994	Spring	1	
12	AP8222631	Wire tensioner screw	1	
13	002613	Nut	1	
14	CM120804	Main jet	1	
15	195543	Spring	1	
16	195542	Choke valve	1	
17	183062	Idle jet	1	
18	154783	Float chamber	1	
19	099316	Pin	1	
20	099315	Fuel filter	1	
21	195772	Rocker arm assy.	1	
22	099326	Float	1	
23	152608	Spring	1	
24	195769	screw	1	
25	094221	Spring	1	
26	195770	screw	1	
27	245955	Jet Needle	1	
28	151070	Starter jet	1	

<b>Group</b>	Engine
<b>Code</b>	01.42
<b>Description</b>	Silencer
<b>Service</b>	1



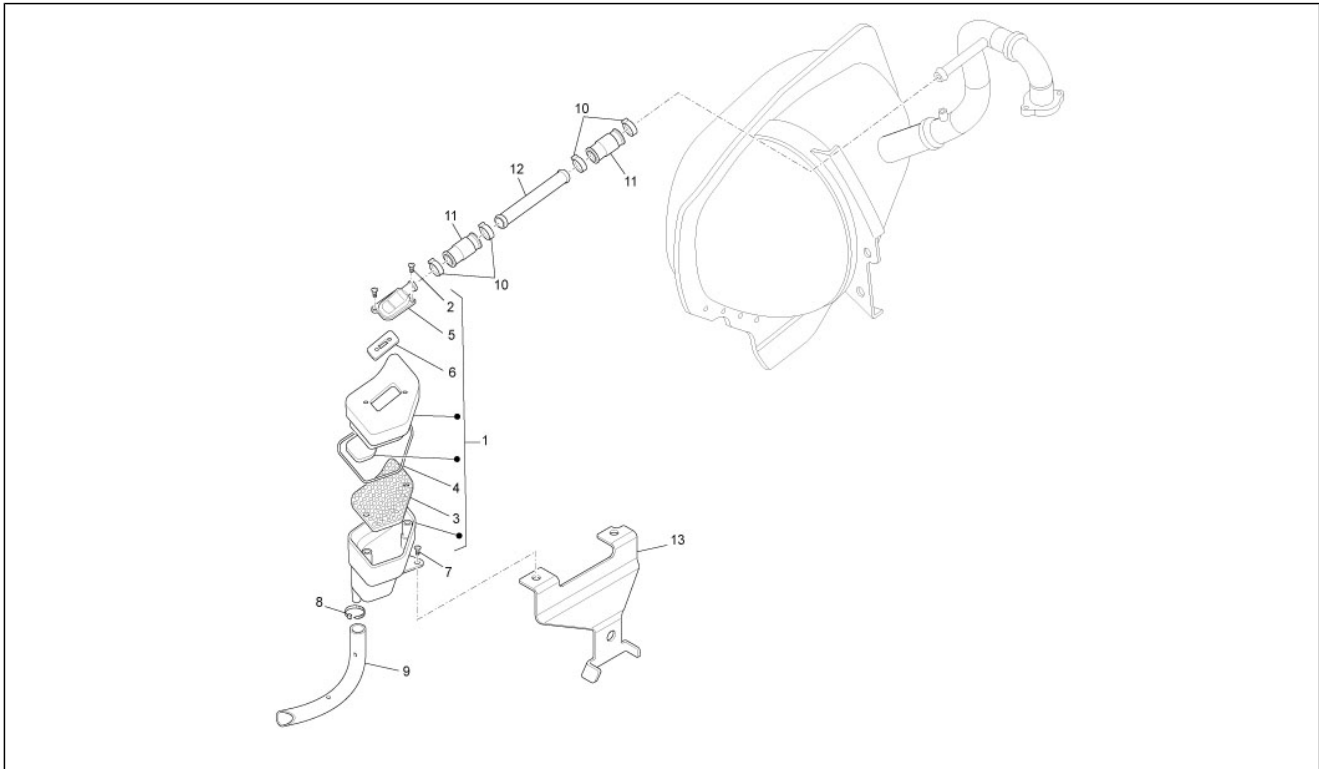
Pos.	Code	Description	Qty	Variants
1	844466	***SILENCIER	1	
2	288840	Gasket	1	
3	016408	Spring washer 13,75x8,15x4,5	4	
4	001564	Nut	2	
5	101434	Bolt	2	
6	003058	Washer 15x8,4x1,5	2	
7	020108	Nut M8x6,5	2	
8	141591	Spring plate	2	

<b>Group</b>	Engine
<b>Code</b>	01.45
<b>Description</b>	Air filter
<b>Service</b>	1



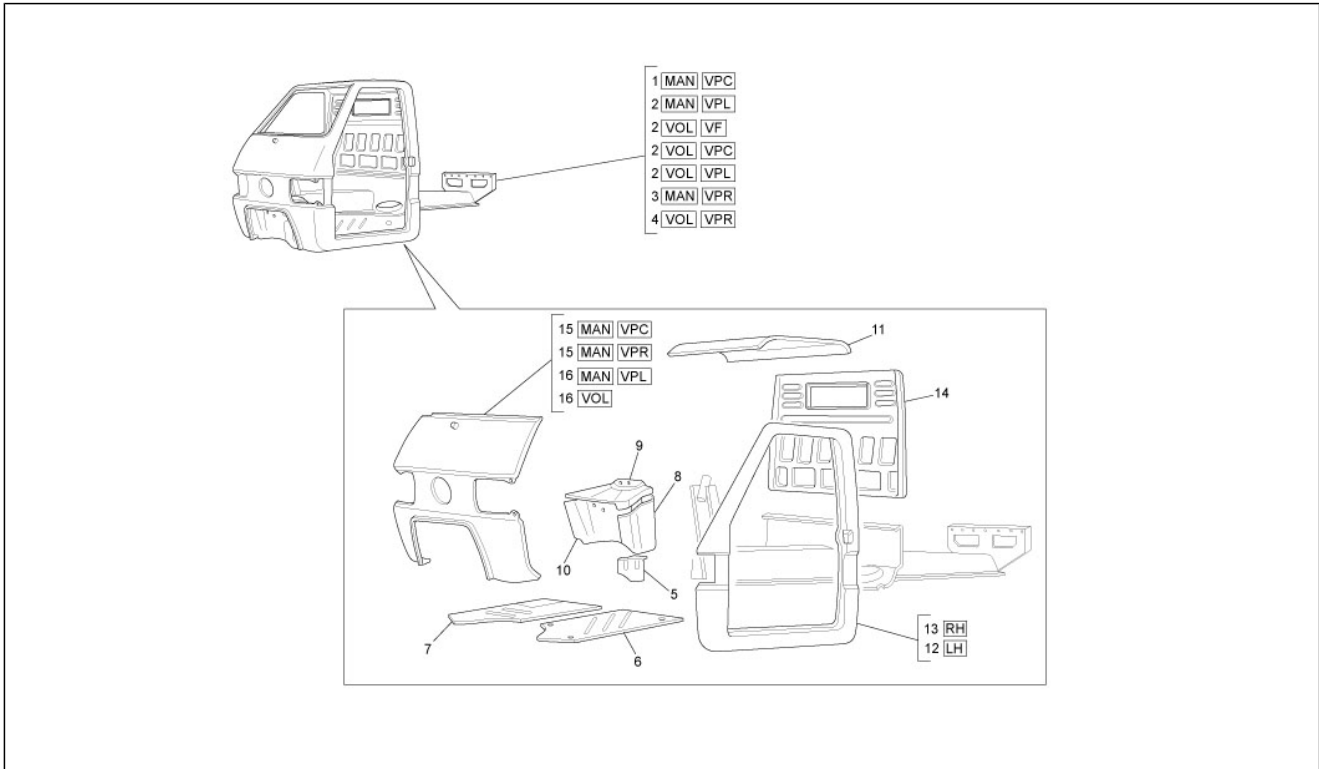
Pos.	Code	Description	Qty	Variants
1	263599	Air cleaner	1	
2	245203	Air.cl.case	1	
3	157228	Gasket	1	
4	248570	Filtering element	1	
5	149323	Knob	3	
6	157227	Gasket	3	
7	414424	pipe	1	
8	257134	Lock-strap	1	
9	220403	Union	1	
10	2140165	Clamp	1	
11	031089	Hex screw M6x18	2	
12	164293	Flat washer	2	
13	003056	Flat washer 6,4x12x1	2	
14	016406	Spring washer 6,4x11,8x1	2	
15	020106	Nut M6	2	
16	031087	screw	2	
17	031090	Hex screw	1	
18	216988	pipe	1	
19	217149	Ring	1	
20	162314	Hose	2	
21	162312	Cover	1	

<b>Group</b>	Engine
<b>Code</b>	01.46
<b>Description</b>	Secondary air box
<b>Service</b>	1



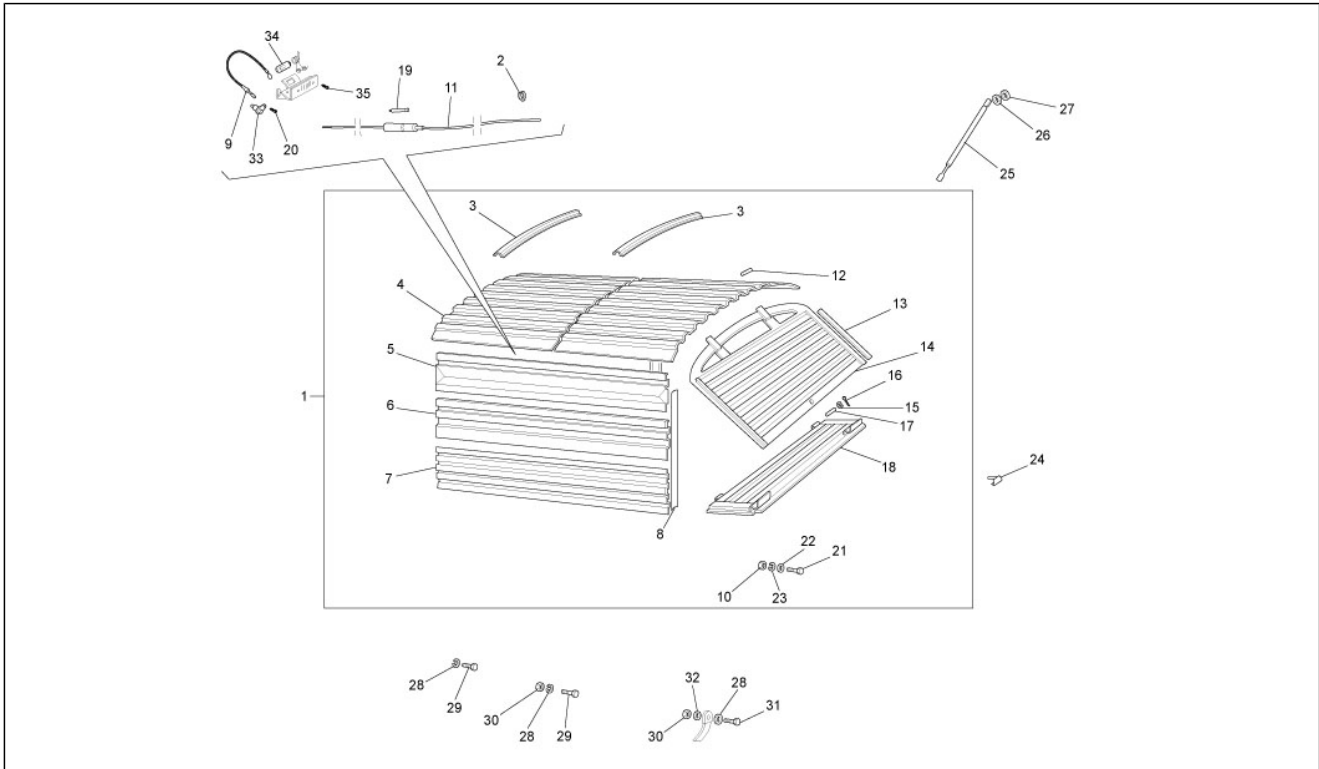
Pos.	Code	Description	Qty	Variants
1	831859	Secondary air box	1	
2	478533	Self-tap screw	2	
3	486942	Filter sas	1	
4	486943	Gasket	1	
5	827209	Cover sas	1	
6	82758R	Diaphragm	1	
7	015935	TBCIC Screw M5x12	2	
8	CM001905	Hose clamp	1	
9	831052	Intake pipe	1	
10	827444	Hose clamp	4	
11	827443	Hose	2	
12	831050	Air hose	1	
13	831963	Box bracket	1	

<b>Group</b>	Frame - Plastic parts - Coachwork
<b>Code</b>	02.01
<b>Description</b>	Frame/bodywork
<b>Service</b>	1



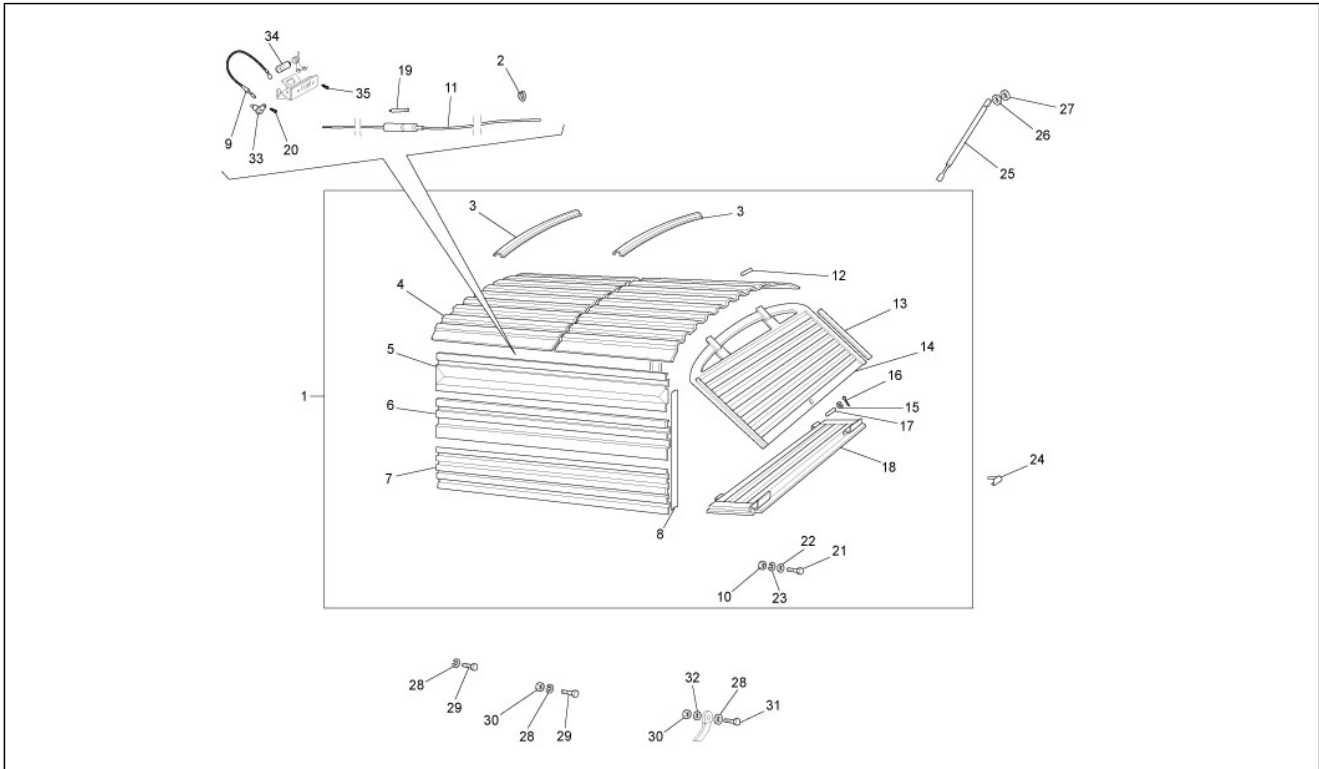
Pos.	Code	Description	Qty	Variants
1	CM0347015	Frame	1	
2	CM0338035	Frame	1	
3	CM0347025	Frame	1	
4	CM0338015	Frame	1	
5	1980395	Support	1	
6	2144415	Floor	1	
7	2332365	Floor	1	
8	1883616	Wheel compartment	1	
9	1980386	Wheel compartment	1	
10	1980416	Wheel compartment	1	
11	2416435	Body ceiling	1	
12	2416625	Lh door housing	1	
13	2416645	***DOOR HOUSING	1	
14	1949485	Protection	1	
15	5687695	shield	1	
16	5687705	shield	1	

<b>Group</b>	Frame - Plastic parts - Coachwork
<b>Code</b>	02.04
<b>Description</b>	Rear chassis/body
<b>Service</b>	1



Pos.	Code	Description	Qty	Variants
1	5682415	Closed box body	1	
2	194945	Spring	8	
3	1291593	Rib	3	
4	2143125	Body ceiling	2	
5	2142975	Panel	2	
6	2142945	Panel	2	
7	2142915	Panel	2	
8	2143075	Strut	1	
9	117660	Wire	1	
10	020105	Nut	4	
11	216777	Wire	1	
12	017701	Spring pin	2	
13	CM035206	Adhesive gasket	1	
14	2143213	Rear flap	1	
15	003057	Washer	1	
16	012778	Split pin	1	
17	017702	Spring pin	2	
18	2143145	Rear flap	1	
19	0249672	Fuse	1	
20	015846	screw	1	
21	010047	screw	4	
22	016405	Spring washer 8,5x5,1x1,5	4	
23	003055	Plain washer 5,4x10x0,8	4	
24	127046	Drift	2	
25	1981012	Spring	1	
26	003058	Washer 15x8,4x1,5	8	
27	005967	Ring	2	
28	016408	Spring washer 13,75x8,15x4,5	8	

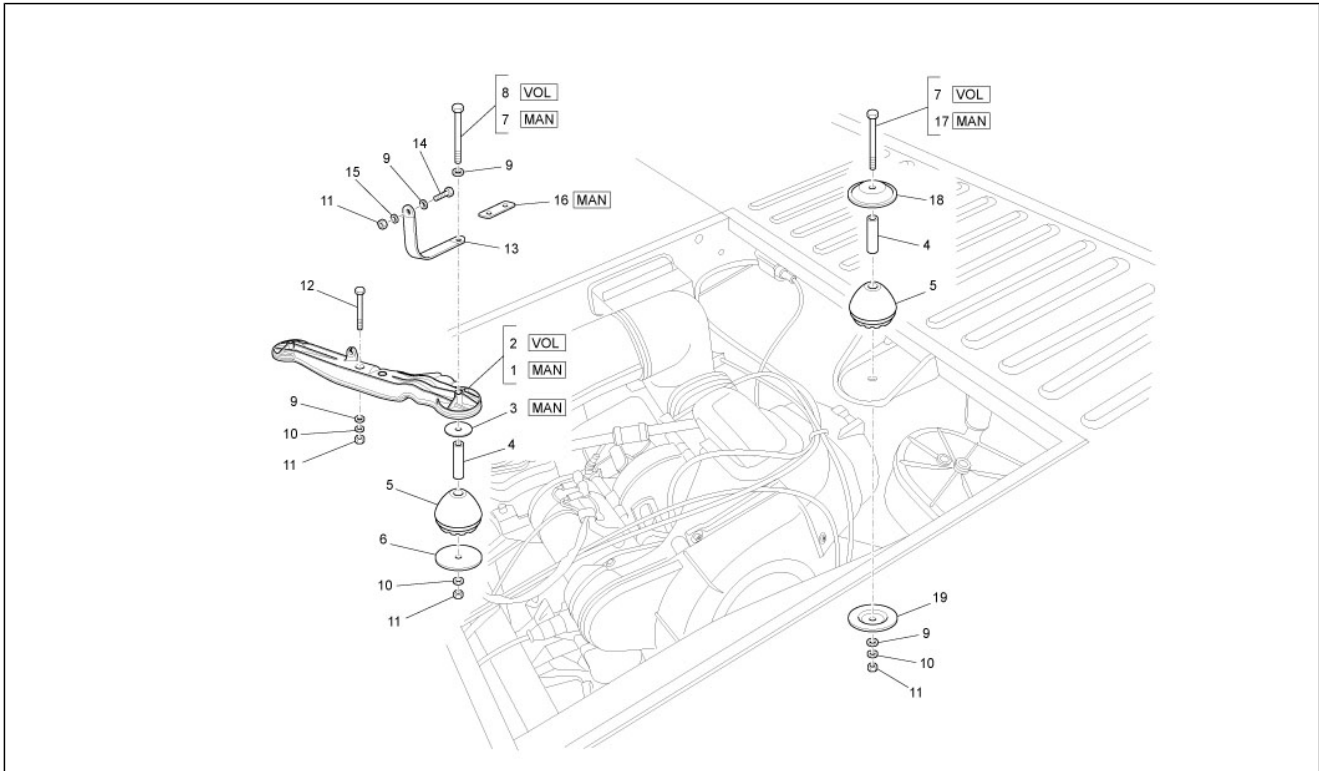
<b>Group</b>	Frame - Plastic parts - Coachwork
<b>Code</b>	02.04
<b>Description</b>	Rear chassis/body
<b>Service</b>	1



Pos.	Code	Description	Qty	Variants
29	031117	Screw m8x18 zn	14	
30	020108	Nut M8x6,5	7	
31	031119	screw	1	
32	002383	Washer	1	
33	008103	Switch	1	
34	071633	Torpedo shaped lamp 12V-5W	1	
35	008432	Screw d3,5x9,5	2	

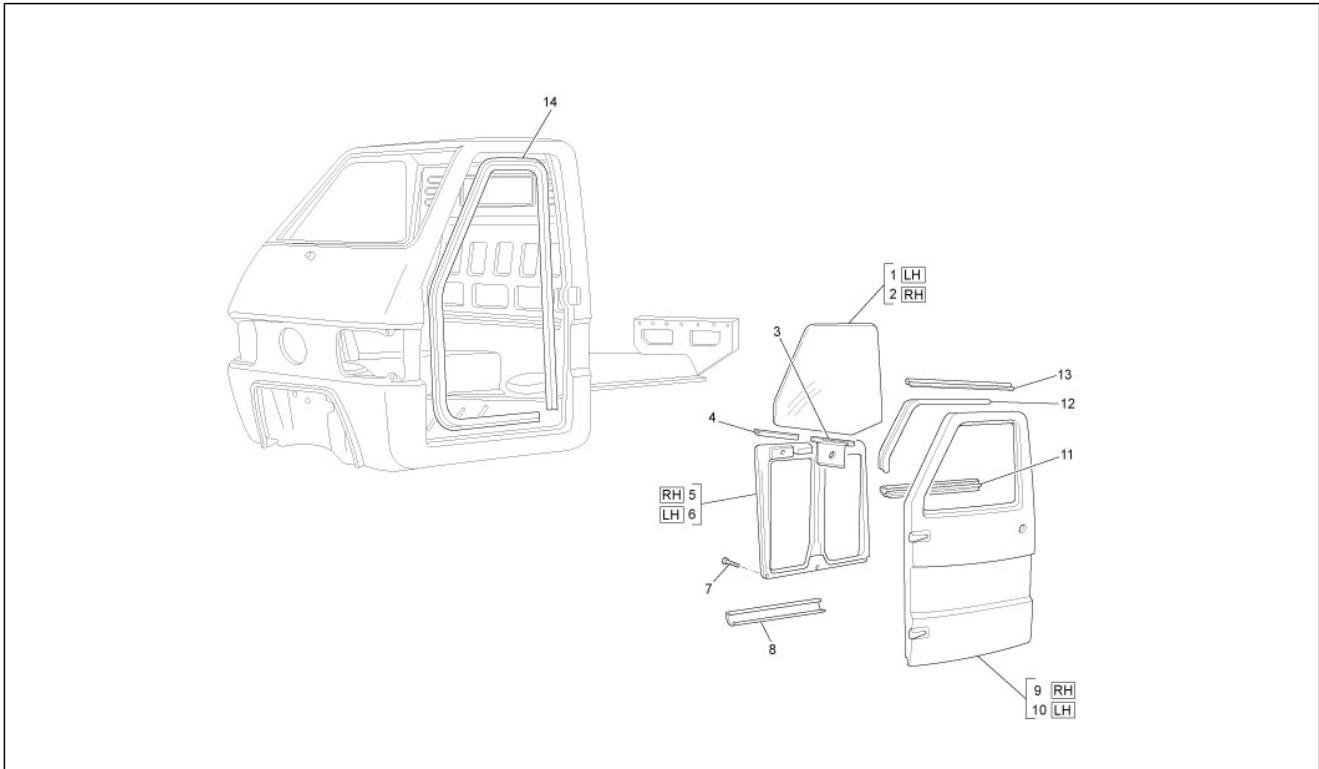


<b>Group</b>	Frame - Plastic parts - Coachwork
<b>Code</b>	02.05
<b>Description</b>	Engine mounts
<b>Service</b>	1



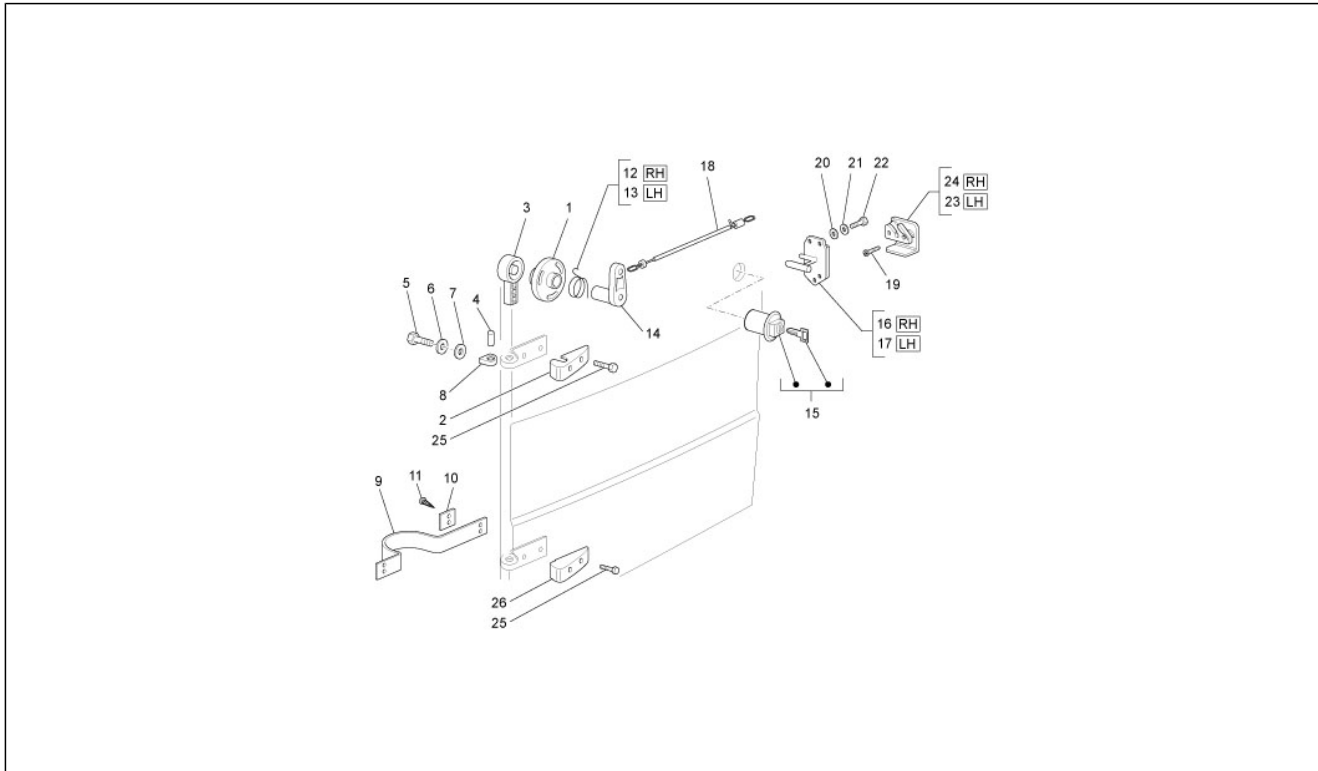
Pos.	Code	Description	Qty	Variants
1	2466341	***CORSS PIECE	1	
2	246682	Front cross member	1	
3	220220	Washer	2	
4	212608	Spacer	3	
5	187970	Spring	3	
6	213631	Washer	1	
7	030084	screw	2	
8	030081	screw	2	
9	003058	Washer 15x8,4x1,5	4	
10	016408	Spring washer 13,75x8,15x4,5	4	
11	810688	Nut	5	
12	030080	screw	2	
13	292178	Eart braid	1	
14	031119	screw	1	
15	012540	Notched washer 14x8,3x1,8	1	
16	075765	Block	1	
17	030082	screw	1	
18	212607	Disc	1	
19	216150	Washer	1	

<b>Group</b>	Frame - Plastic parts - Coachwork
<b>Code</b>	02.06
<b>Description</b>	Front doors - Glass
<b>Service</b>	1



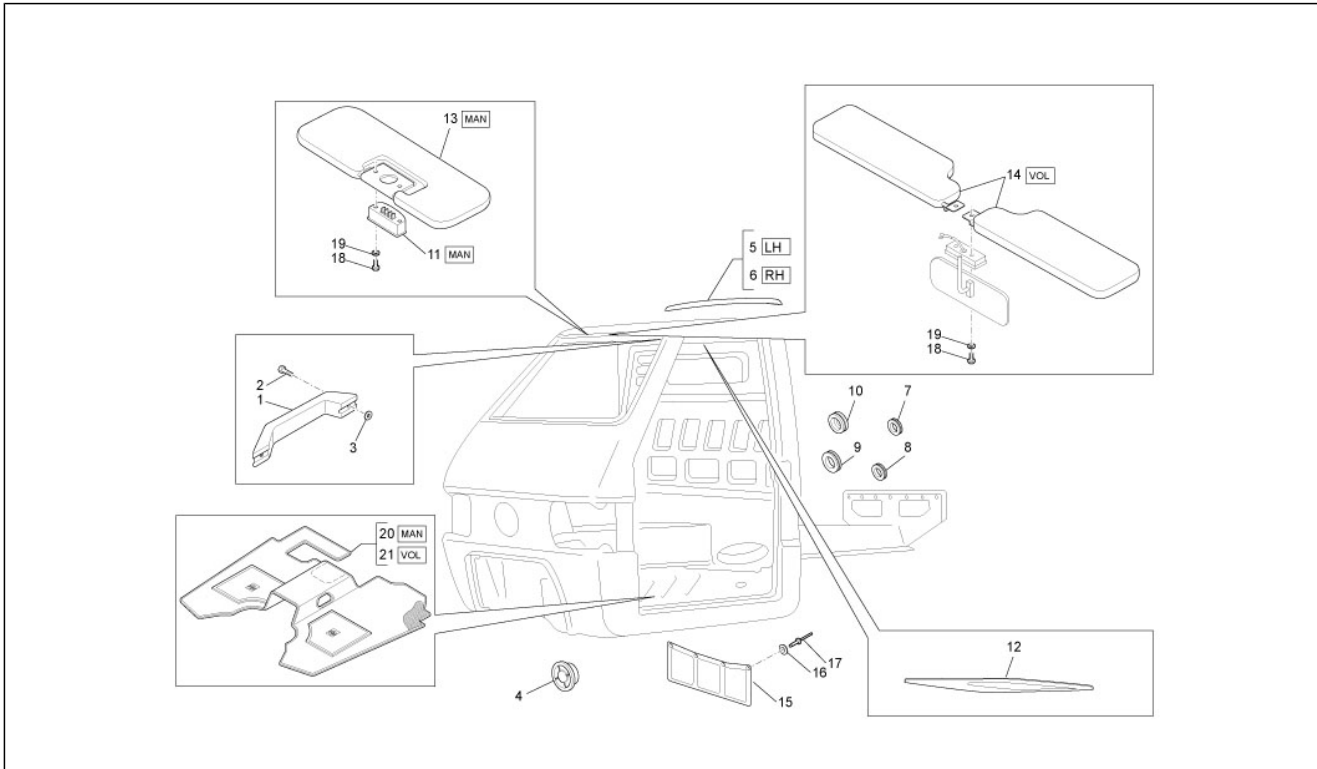
Pos.	Code	Description	Qty	Variants
1	257478	Glass	1	
2	257479	Glass	1	
3	212723	Clamp	2	
4	196628	Band	2	
5	261450	Panel	1	
6	261537	Panel	1	
7	015859	screw	6	
8	193049	Protection	2	
9	2139795	Rh door	1	
10	2139805	***DOOR	1	
11	217582	Gasket	4	
12	212632	Gasket	2	
13	212069	Gasket	2	
14	182363	Profile	2	

<b>Group</b>	Frame - Plastic parts - Coachwork
<b>Code</b>	02.07
<b>Description</b>	Front door components
<b>Service</b>	1



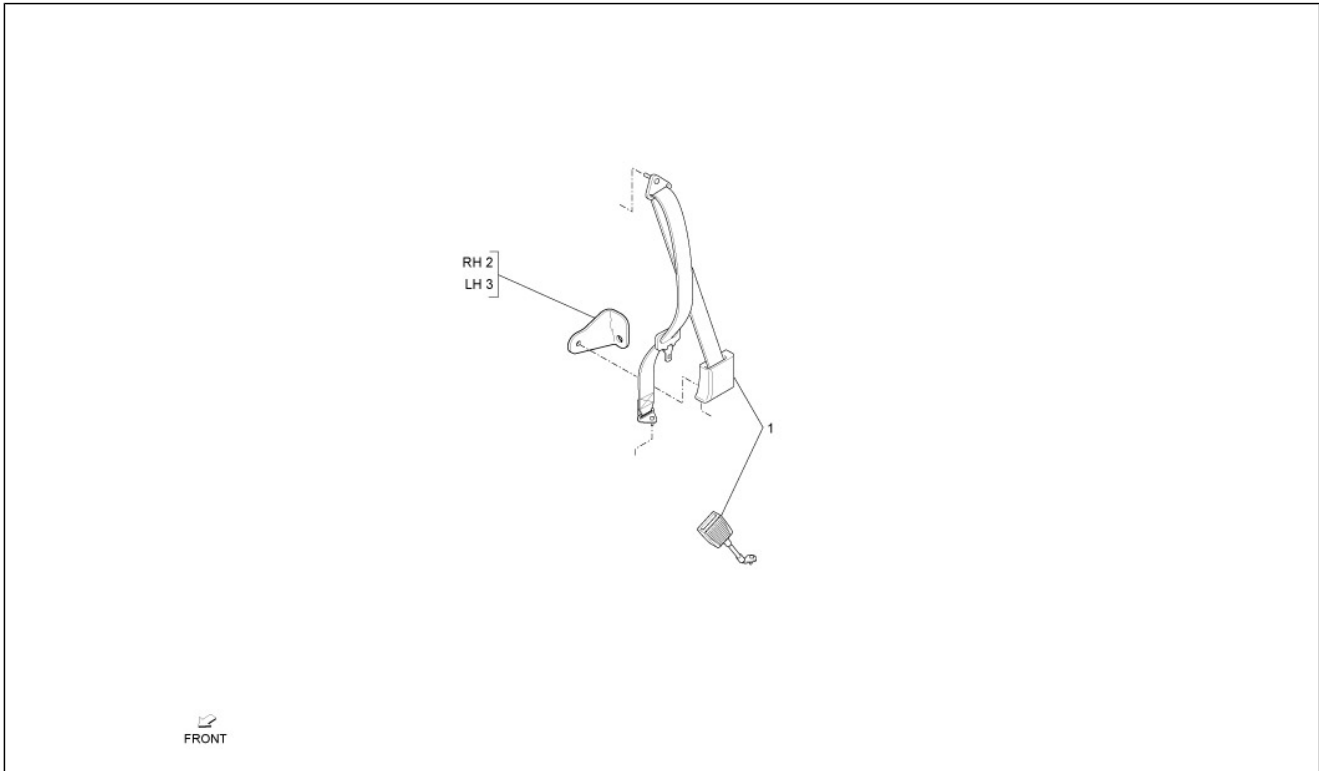
Pos.	Code	Description	Qty	Variants
1	212708	Maintenance	2	
2	569578	Upper hinge cover	2	
3	261449	Handle	2	
4	017720	Spring pin	4	
5	030079	screw	4	
6	414946	Flat washer 8,5x22x3	4	
7	012540	Notched washer 14x8,3x1,8	4	
8	212728	Block	4	
9	212569	Grip belt	2	
10	567605	Plate	4	
11	015952	screw	8	
12	212711	Spring	1	
13	212713	Spring	1	
14	212709	Lever	2	
15	613726	Lock hardware kit	1	
16	232419	Lock	1	
17	232420	Lock	1	
18	658256	***LEVER	2	
19	008936	screw	4	
20	003056	Flat washer 6,4x12x1	6	
21	012533	Notched washer 6,6x11x0	6	
22	018509	screw	6	
23	213181	Block	1	
24	213182	Block	1	
25	018536	Self-tap screw 3,5x13	4	
26	569577	Hinge cover	2	

<b>Group</b>	Frame - Plastic parts - Coachwork
<b>Code</b>	02.12
<b>Description</b>	Cab components
<b>Service</b>	1



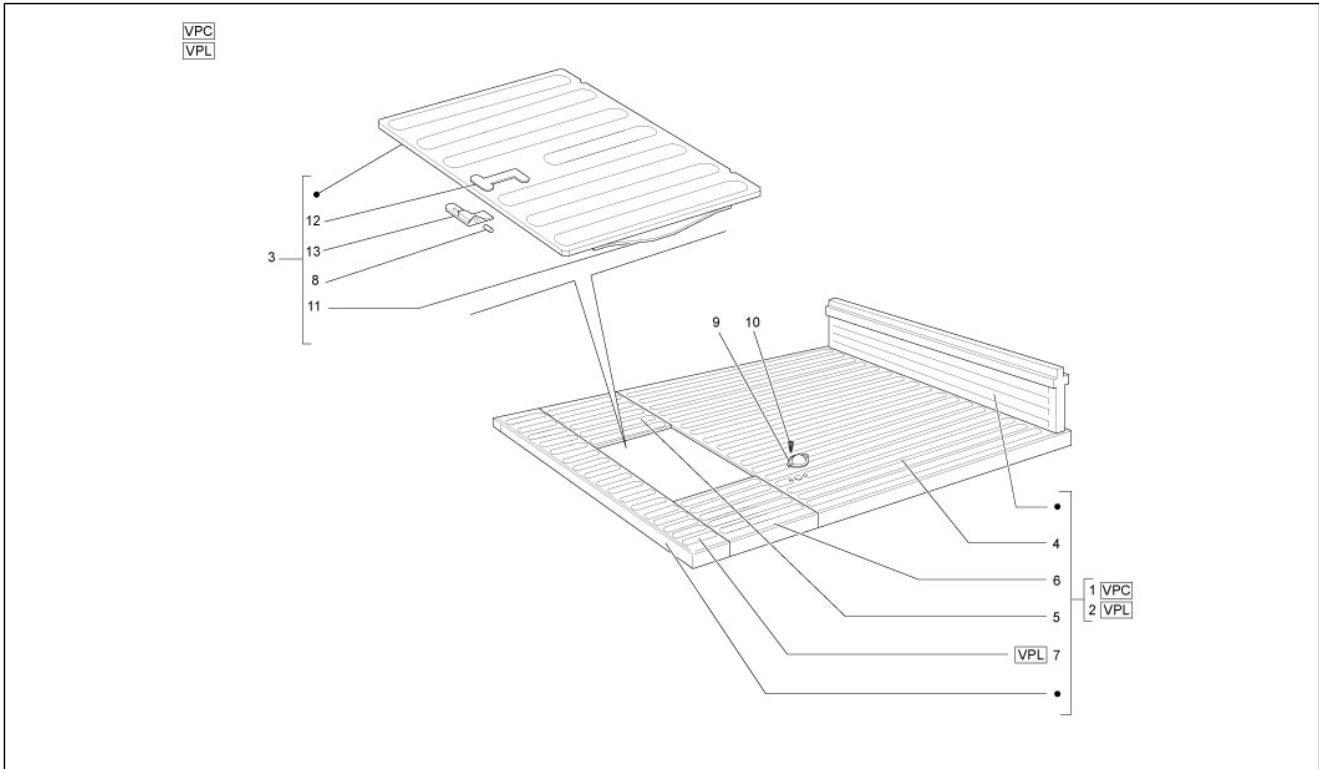
Pos.	Code	Description	Qty	Variants
1	261435	Handle	1	
2	018544	screw	2	
3	218592	Captive nut	2	
4	189058	Cover	1	
5	192207	***TIGHTEING FLA	1	
6	192208	Butt strap	1	
7	178610	Fairlead	1	
8	105392	Fairlead	1	
9	178609	Fairlead	1	
10	234259	Fairlead	1	
12	565929	Panel	1	
13	658230	***SUNSHADE	1	
14	565810	Sun-visor	2	
15	214485	Splash guard	1	
16	013754	Washer	4	
17	244474	Rivet	4	
18	015715	Screw M5x16	2	
19	060201	Flat washer 5,3x14x1	2	
20	566050	Mat	1	
21	566051	Mat	1	

<b>Group</b>	Frame - Plastic parts - Coachwork
<b>Code</b>	02.13
<b>Description</b>	Seat belts
<b>Service</b>	1



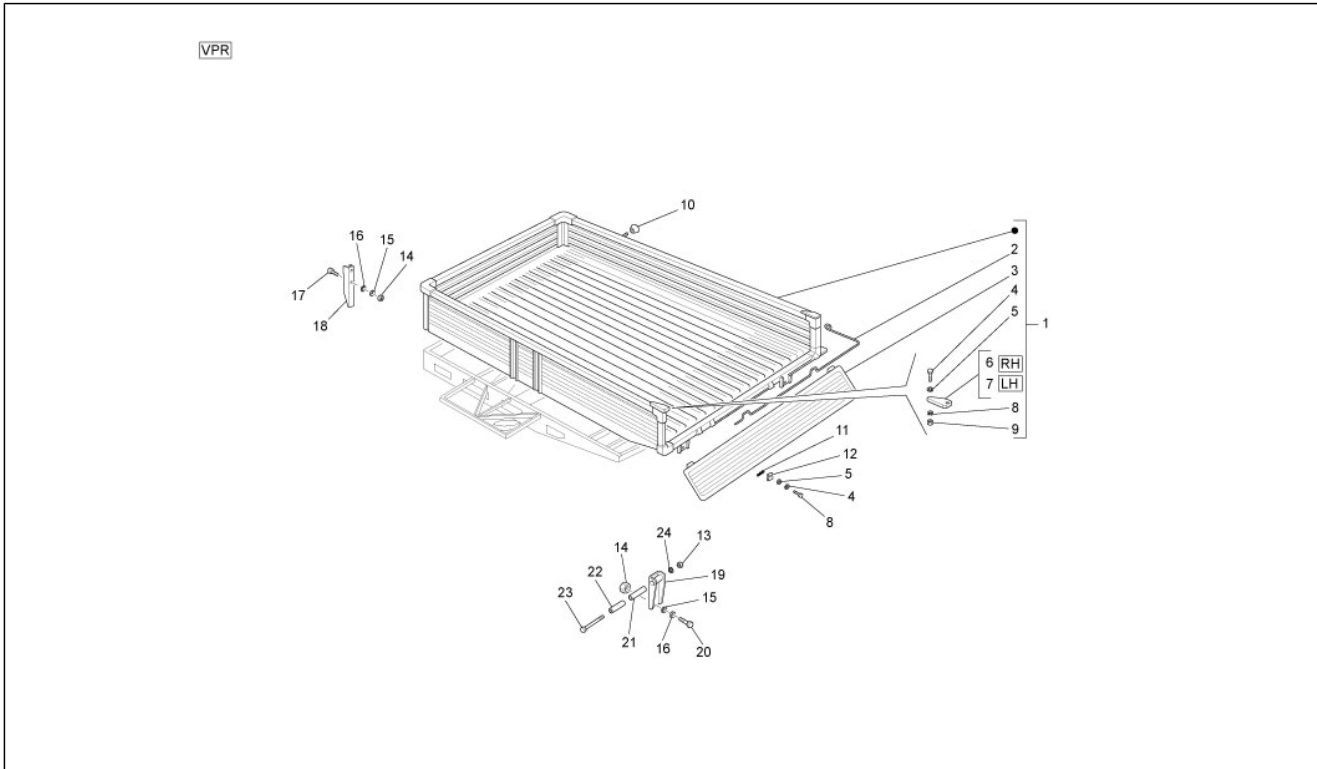
Pos.	Code	Description	Qty	Variants
1	56534R	***COUPLE OF SEAT BELTS	1	
2	230661	Clamp	1	
3	230660	Clamp	1	

<b>Group</b>	Frame - Plastic parts - Coachwork
<b>Code</b>	02.17
<b>Description</b>	Loading body open - Side boards
<b>Service</b>	1



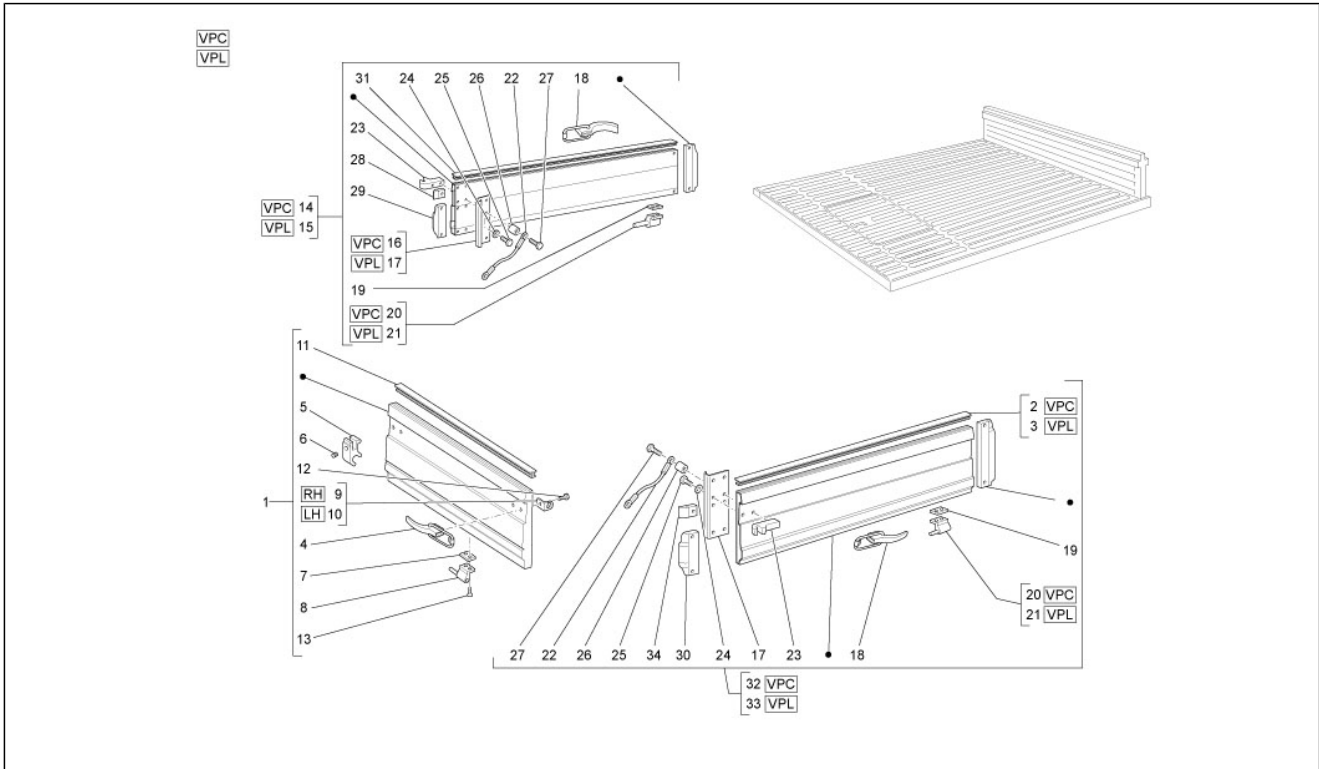
Pos.	Code	Description	Qty	Variants
1	5680295	Trunk deck	1	
2	5680285	Trunk deck	1	
3	6117665	***PORTELLO CPL T	1	
4	188276	Front part	1	
5	1882785	Lateral part	1	
6	188277	R.h. side part	1	
7	188282	Open box rear part	1	
8	017718	Spring pin	2	
9	212558	Plug	2	
10	008432	Screw d3,5x9,5	4	
11	611763	Heat shield	1	
12	162549	Spring	2	
13	162548	Pawl	2	

<b>Group</b>	Frame - Plastic parts - Coachwork
<b>Code</b>	02.18
<b>Description</b>	Loading body open (Tipper)
<b>Service</b>	1



Pos.	Code	Description	Qty	Variants
1	5687965	Trunk deck	1	
2	216893	Bar	1	
3	2167725	***DOOR	1	
4	031087	screw	9	
5	003056	Flat washer 6,4x12x1	7	
6	115476	Square	1	
7	11547559	Square	1	
8	016406	Spring washer 6,4x11,8x1	9	
9	020106	Nut M6	4	
10	0032912	Knob	1	
11	142116	Spacer	5	
12	142115	Maintenance	5	
13	020110	Nut	1	
14	810688	Nut	12	
15	016408	Spring washer 13,75x8,15x4,5	10	
16	003058	Washer 15x8,4x1,5	6	
17	031116	Hex socket screw	4	
18	2167185	Clamp	2	
19	2165855	Maintenance	2	
20	031119	screw	4	
21	118020	Hose	2	
22	118023	Spacer	2	
23	030113	screw	2	

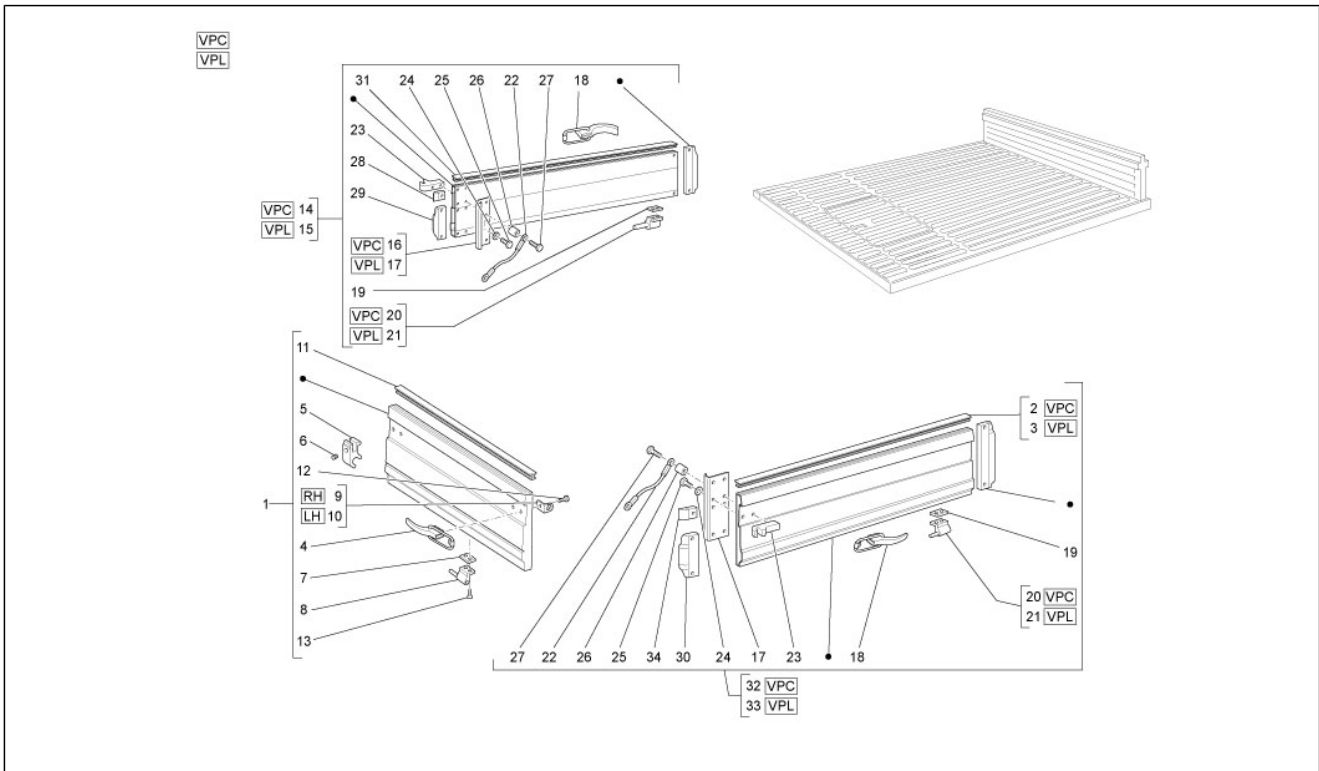
<b>Group</b>	Frame - Plastic parts - Coachwork
<b>Code</b>	02.20
<b>Description</b>	Dropsides and tailboard
<b>Service</b>	1



Pos.	Code	Description	Qty	Variants
1	568440	Flap	1	
2	CM033002	Protection	1	
3	CM033001	Protection	1	
4	264785	Rear lever	2	
5	264829	Hook	2	
6	264834	Pin	2	
7	264755	plate	2	
8	264753	***HINGE	2	
9	264948	Chain attachment	1	
10	264949	Chain attachment	1	
11	CM033003	Protection	1	
12	264783	screw	4	
13	018592	Nut	4	
14	CM032903	Board	1	
15	CM032901	Board	1	
16	264803	Hinge	1	
17	264802	Hinge	1	
18	264784	Front lever	1	
19	264755	plate	3	
20	264753	***HINGE	1	
21	264752	***HINGE	1	
22	566074	Chain	1	
23	264778	Hook	1	
24	003056	Flat washer 6,4x12x1	1	
25	264783	screw	3	
26	568637	Spacer	1	
27	414837	Screw w/ flange M6x25	1	
28	264742	***PACKING	1	

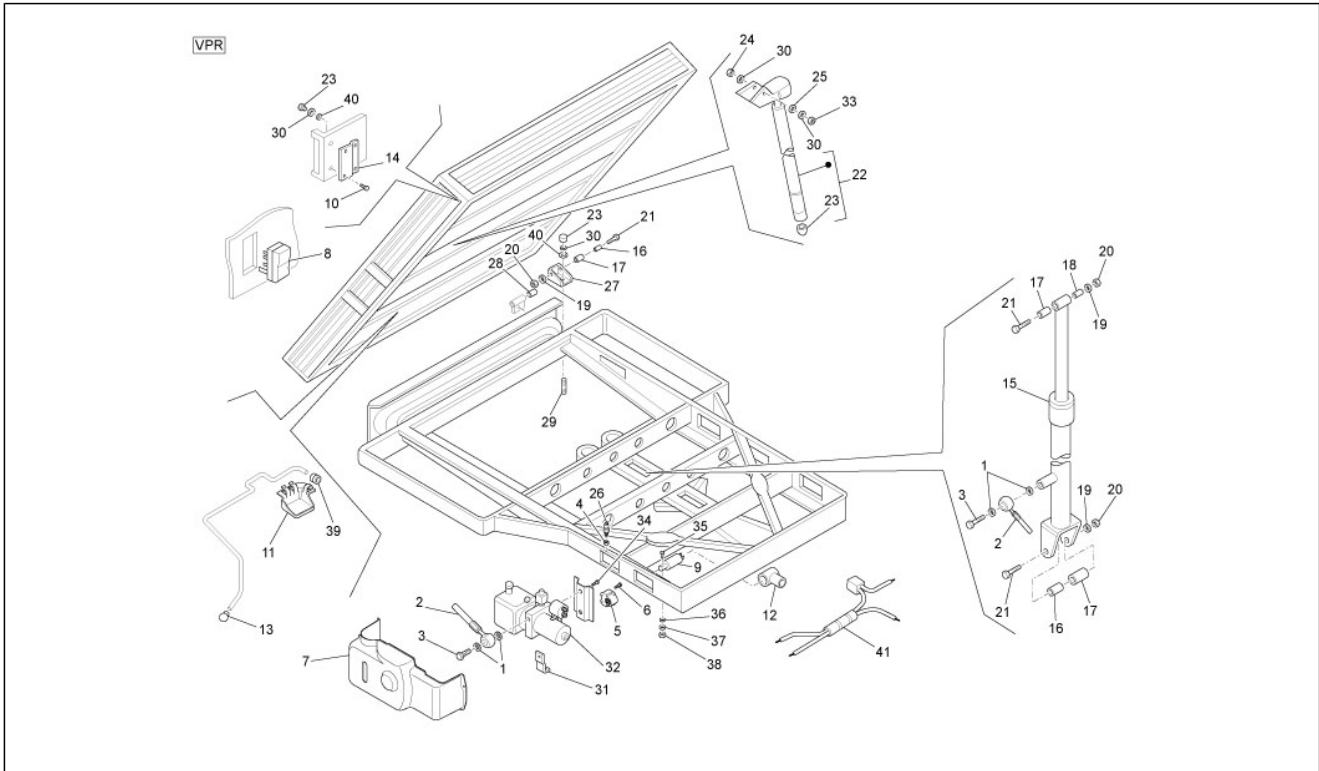


<b>Group</b>	Frame - Plastic parts - Coachwork
<b>Code</b>	02.20
<b>Description</b>	Dropsides and tailboard
<b>Service</b>	1



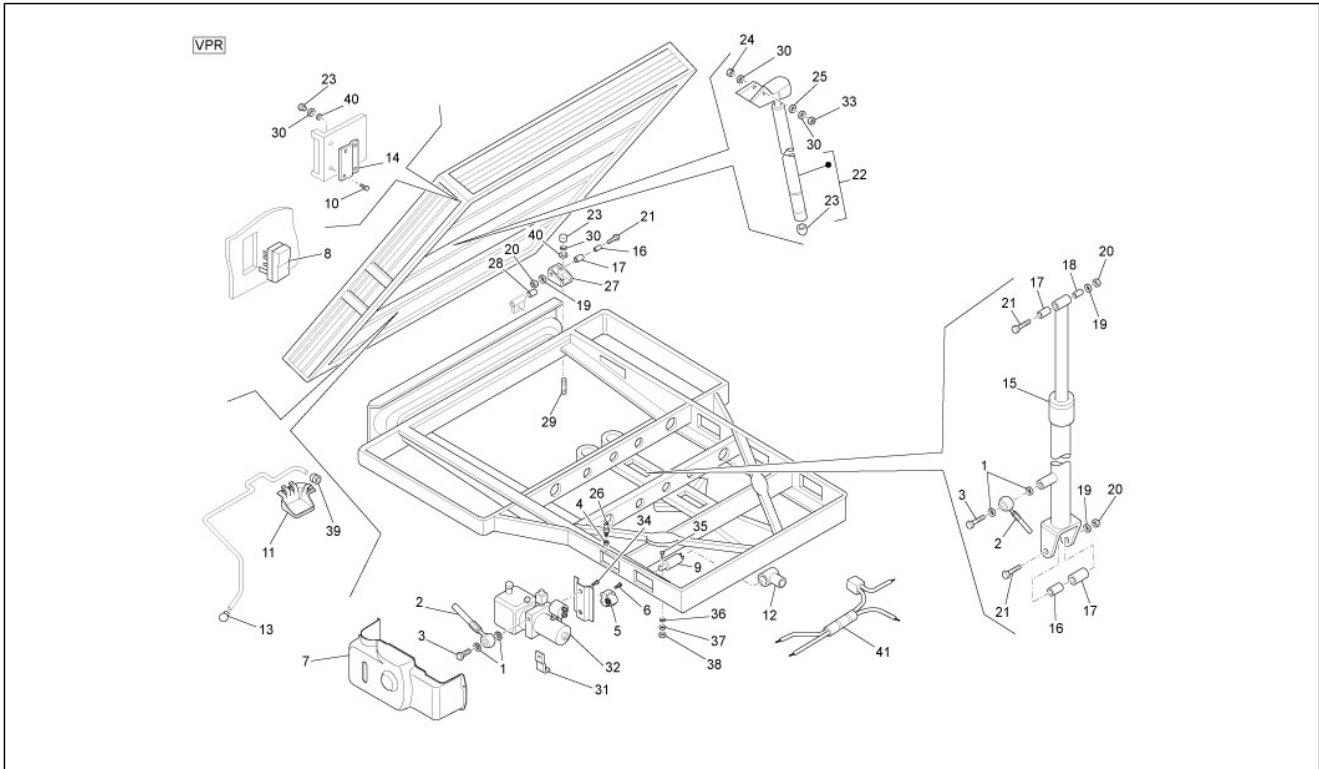
Pos.	Code	Description	Qty	Variants
29	264740	***PACKING	1	
30	264741	***PAKING	1	
31	CM033002	Protection	1	
32	CM032904	Board	1	
33	CM032902	Board	1	
34	264743	***PACKING	1	

<b>Group</b>	Frame - Plastic parts - Coachwork
<b>Code</b>	02.22
<b>Description</b>	Tilting system
<b>Service</b>	1



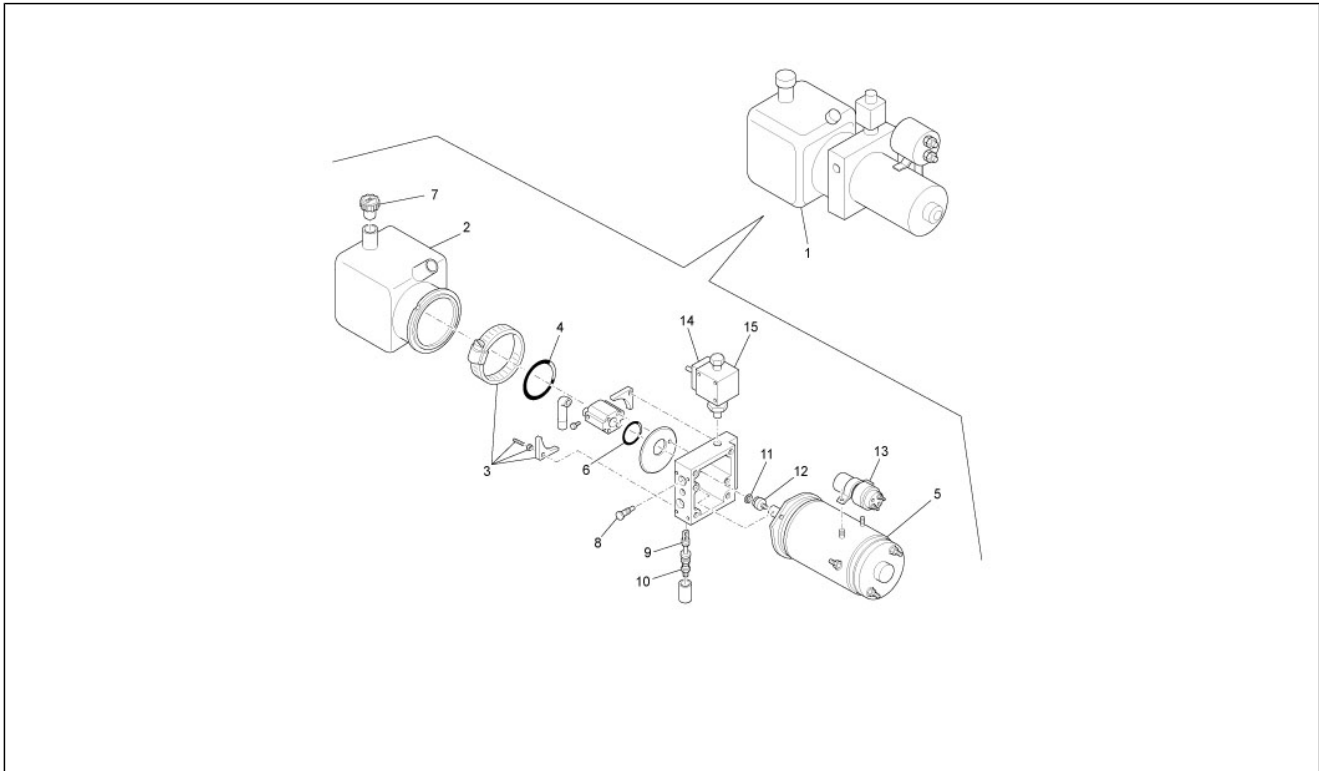
Pos.	Code	Description	Qty	Variants
1	565058	Washer	2	
2	CM032101	Hose compl. with connections	1	
3	565057	screw	4	
4	568636	Nut m12x1,5 h=7	2	
5	231284	Buzzer	1	
6	009000	screw	2	
7	611602	Pump protection cover	1	
8	581377	Interruttore ribaltamento	1	
9	615392	Flasher unit	1	
10	031116	Hex socket screw	4	
11	569355	Movable stop	1	
12	582305	Insulating cap	1	
13	0032912	Knob	1	
14	2167185	Clamp	2	
15	567834	Hydraulic jack	1	
16	118022	Spacer	1	
17	118020	Hose	2	
18	1180234	Spacer	1	
19	016410	Washer 17,6x11x2,5	1	
20	020110	Nut	1	
21	030113	screw	1	
22	568768	Rod	1	
23	568760	Cover	1	
24	031120	screw	1	
25	003038	Flat washer 8,4x18x2	3	
26	214772	stop Button	1	
27	2165855	Maintenance	2	
28	142116	Spacer	5	

<b>Group</b>	Frame - Plastic parts - Coachwork
<b>Code</b>	02.22
<b>Description</b>	Tilting system
<b>Service</b>	1



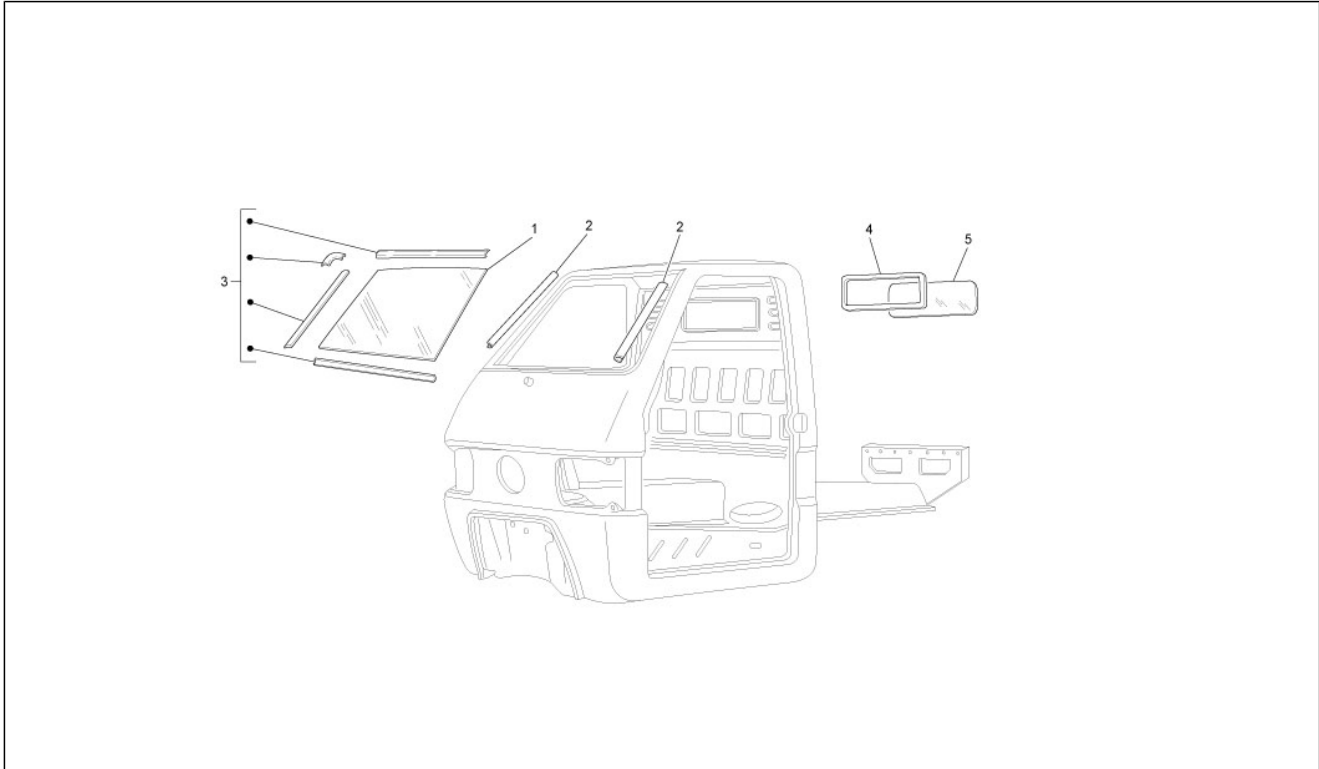
Pos.	Code	Description	Qty	Variants
29	031119	screw	6	
30	016408	Spring washer 13,75x8,15x4,5	6	
31	611616	Centre bracket	1	
32	264266	Distributor pump, assy.	1	
33	810688	Nut	6	
34	031153	Bolt	3	
35	031084	screw	1	
36	003056	Flat washer 6,4x12x1	1	
37	016406	Spring washer 6,4x11,8x1	1	
38	020106	Nut M6	1	
39	057939	Drift	1	
40	003058	Washer 15x8,4x1,5	6	
41	582296	Cable harness	1	

<b>Group</b>	Frame - Plastic parts - Coachwork
<b>Code</b>	02.24
<b>Description</b>	Tilting pump - Components
<b>Service</b>	1



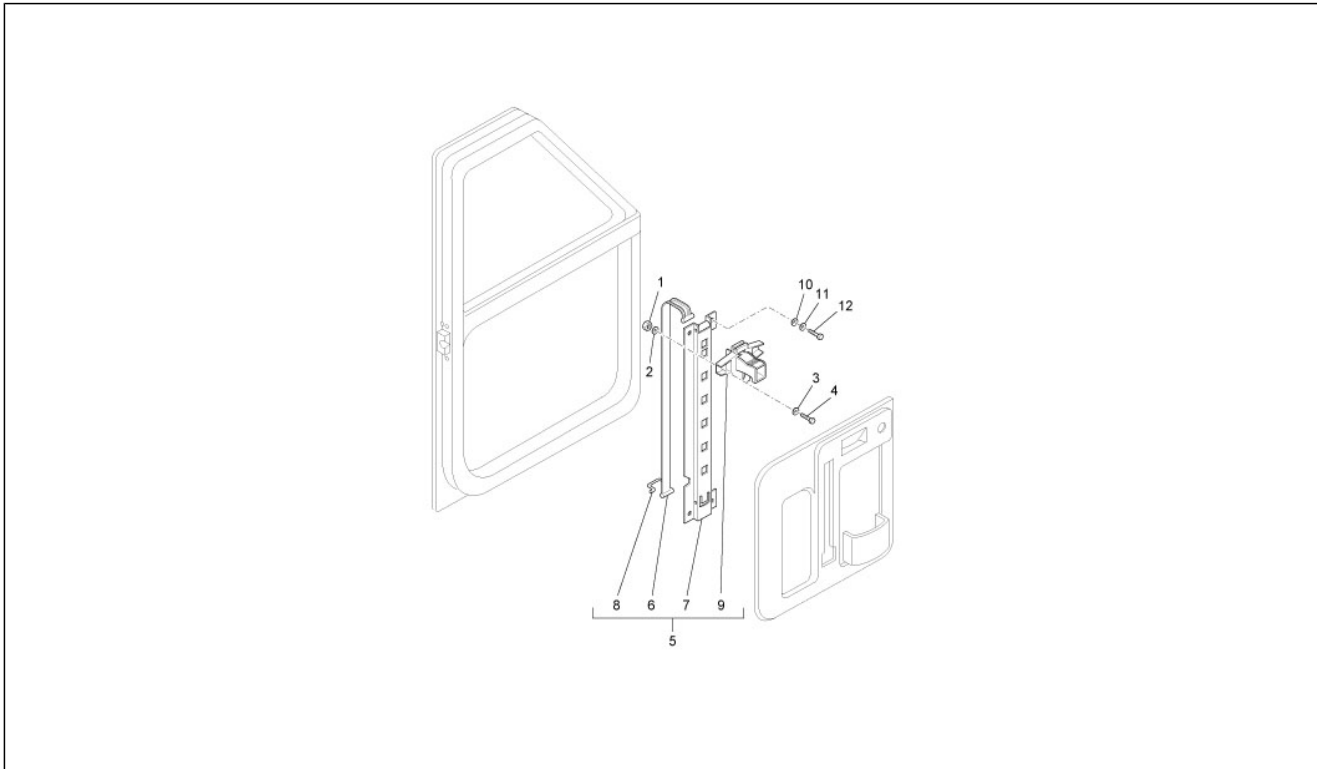
Pos.	Code	Description	Qty	Variants
1	264266	Distributor pump, assy.	1	
2	264811	Tank	1	
3	264812	Fasteners kit	1	
4	264823	O-ring	1	
5	264816	Engine	1	
6	264822	O-ring	1	
7	264828	Cover	1	
8	264819	Valve	1	
9	264826	Screw	1	
10	264827	Valve	1	
11	264821	Oil seal	1	
12	264813	Joint	1	
13	493433	Relay	1	
14	264818	Solenoid	1	
15	264817	Solenoid valve	1	

<b>Group</b>	Frame - Plastic parts - Coachwork
<b>Code</b>	02.27
<b>Description</b>	Windshield - Glass
<b>Service</b>	1



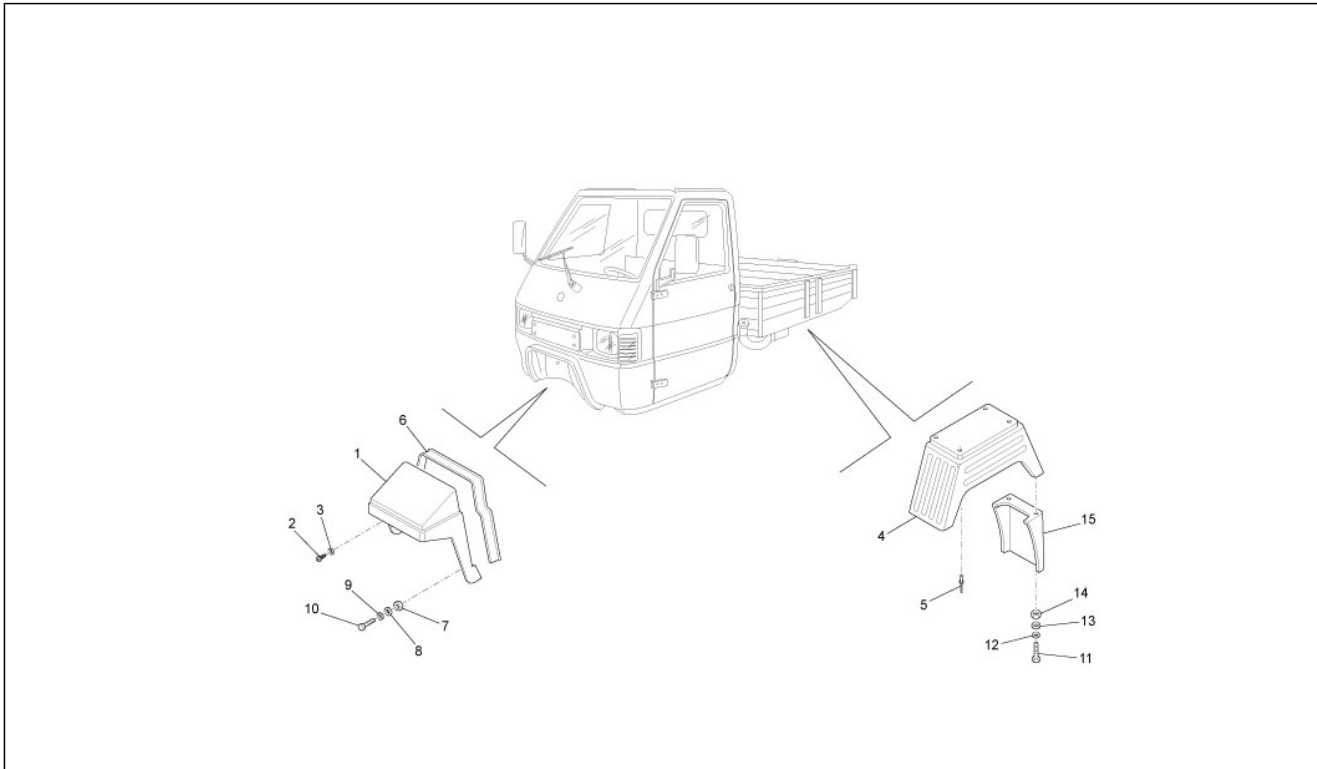
Pos.	Code	Description	Qty	Variants
1	198881	Glass	1	
2	658280	***WINDSHIELD GLASS	2	
3	154631	Set of profilis	1	
4	212493	Gasket	1	
5	212492	Glass	1	

<b>Group</b>	Frame - Plastic parts - Coachwork
<b>Code</b>	02.28
<b>Description</b>	Front and rear window lift regulator
<b>Service</b>	1



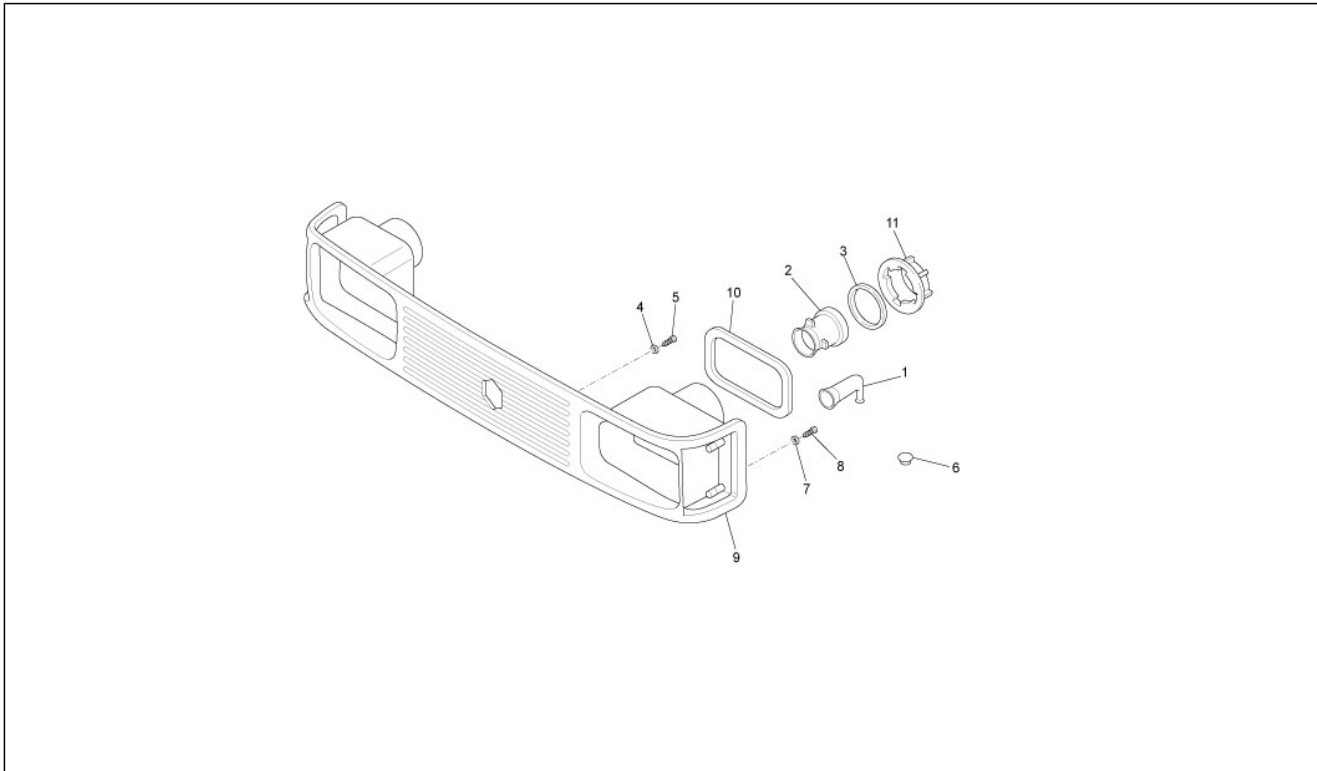
Pos.	Code	Description	Qty	Variants
1	020106	Nut M6	4	
2	012533	Notched washer 6,6x11x0	4	
3	003056	Flat washer 6,4x12x1	8	
4	008375	screw M6x14	4	
5	1944505	Window regulator device	2	
6	213749	Elastic	1	
7	216524	Glass channel	1	
8	212571	Spring	1	
9	212540	Window regulator control	1	
10	016405	Spring washer 8,5x5,1x1,5	8	
11	003055	Plain washer 5,4x10x0,8	8	
12	015585	Self-tapping screw M5x12	8	

<b>Group</b>	Frame - Plastic parts - Coachwork
<b>Code</b>	02.33
<b>Description</b>	Wheel huosing - Mudguard
<b>Service</b>	1



Pos.	Code	Description	Qty	Variants
1	565799	Front mudguard	1	
2	008432	Screw d3,5x9,5	6	
3	003054	Washer 4,3x8x0,5	6	
4	565798	Front mudguard	2	
5	244474	Rivet	8	
6	216170	Gasket	1	
7	020006	Nut	4	
8	078307	Washer	4	
9	013880	Flat washer 16x6,5x1,5	4	
10	031089	Hex screw M6x18	4	
11	031059	Bolt	4	
12	003055	Plain washer 5,4x10x0,8	8	
13	016405	Spring washer 8,5x5,1x1,5	4	
14	020105	Nut	4	
15	189137	Splash guard	2	

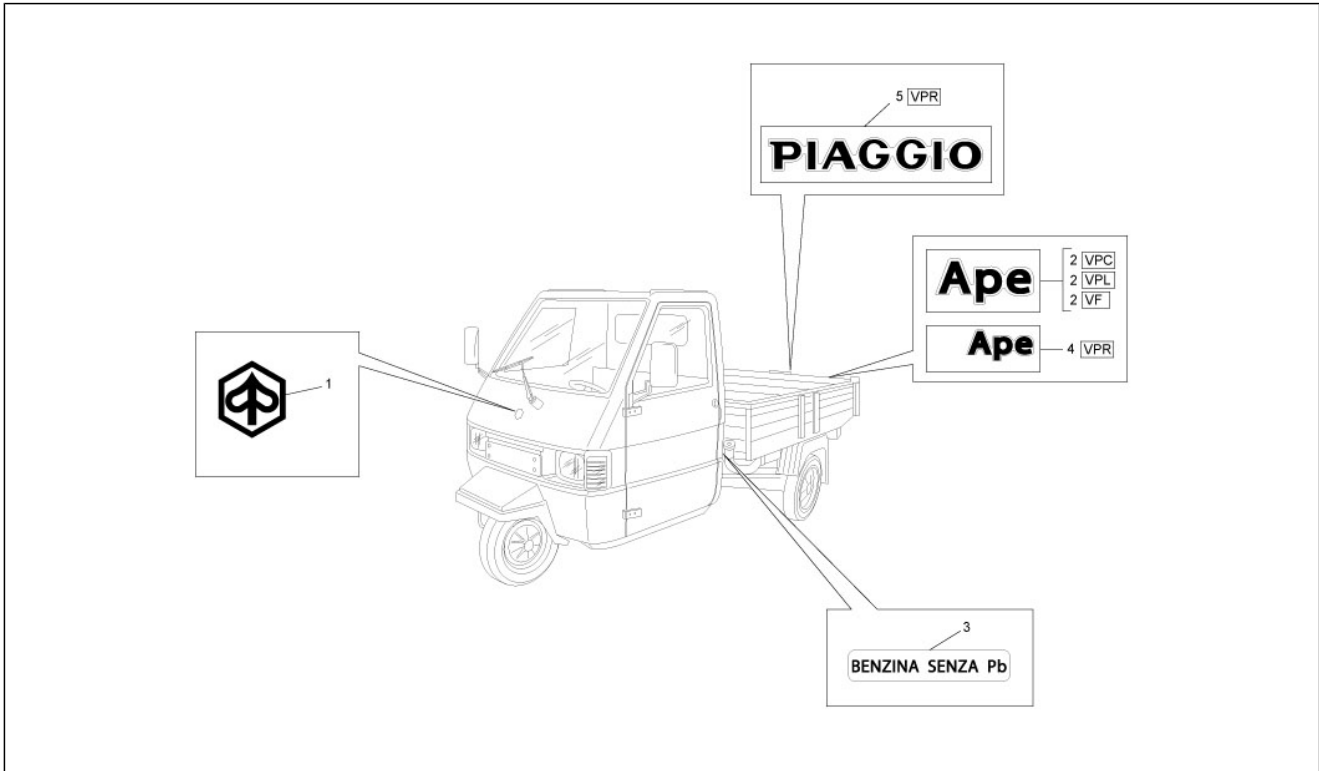
<b>Group</b>	Frame - Plastic parts - Coachwork
<b>Code</b>	02.36
<b>Description</b>	Front covers - Mudflaps
<b>Service</b>	1



Pos.	Code	Description	Qty	Variants
1	197370	Insulating cap	2	
2	197369	Gasket	2	
3	213793	Gasket	2	
4	003054	Washer 4,3x8x0,5	4	
5	008432	Screw d3,5x9,5	8	
6	128009	Cap	2	
7	003054	Washer 4,3x8x0,5	8	
8	008432	Screw d3,5x9,5	12	
9	565664	Mask	1	
10	214134	Switch	2	
11	213809	Cover	2	

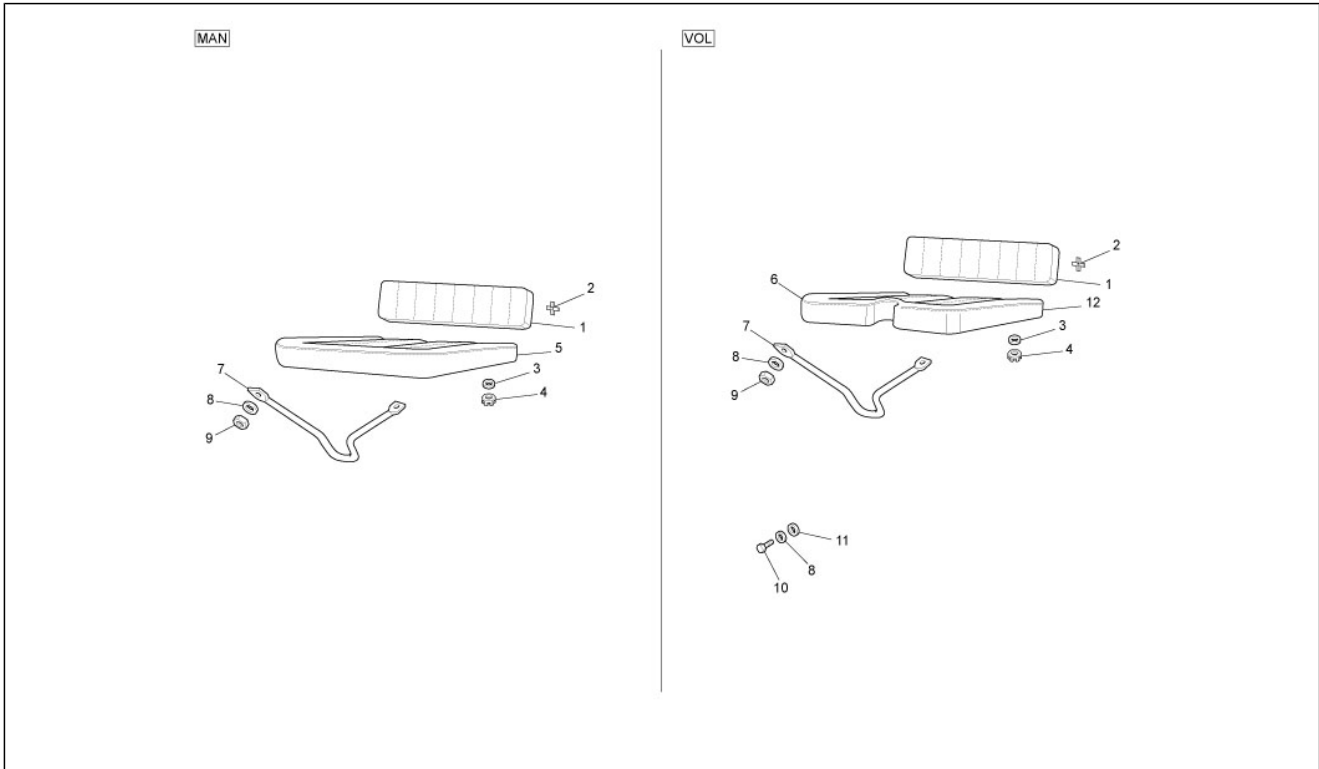


<b>Group</b>	Frame - Plastic parts - Coachwork
<b>Code</b>	02.38
<b>Description</b>	Plates - Emblems
<b>Service</b>	1



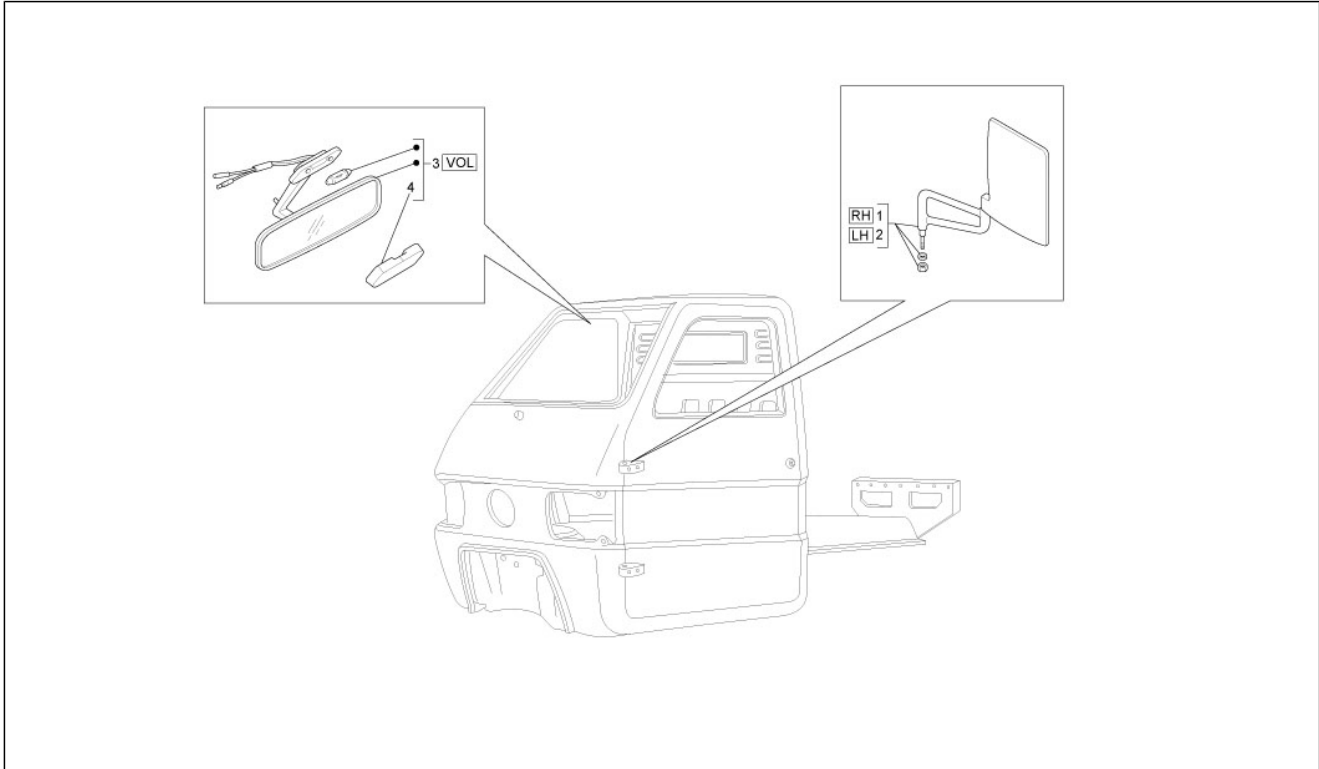
Pos.	Code	Description	Qty	Variants
1	567837	Front cover	1	
2	645485	***NAME PLATE	1	
3	575826	***Name plate	1	
4	645599	***NAME PLATE	1	
5	645488	***NAME PLATE	1	

<b>Group</b>	Frame - Plastic parts - Coachwork
<b>Code</b>	02.40
<b>Description</b>	Front seats
<b>Service</b>	1



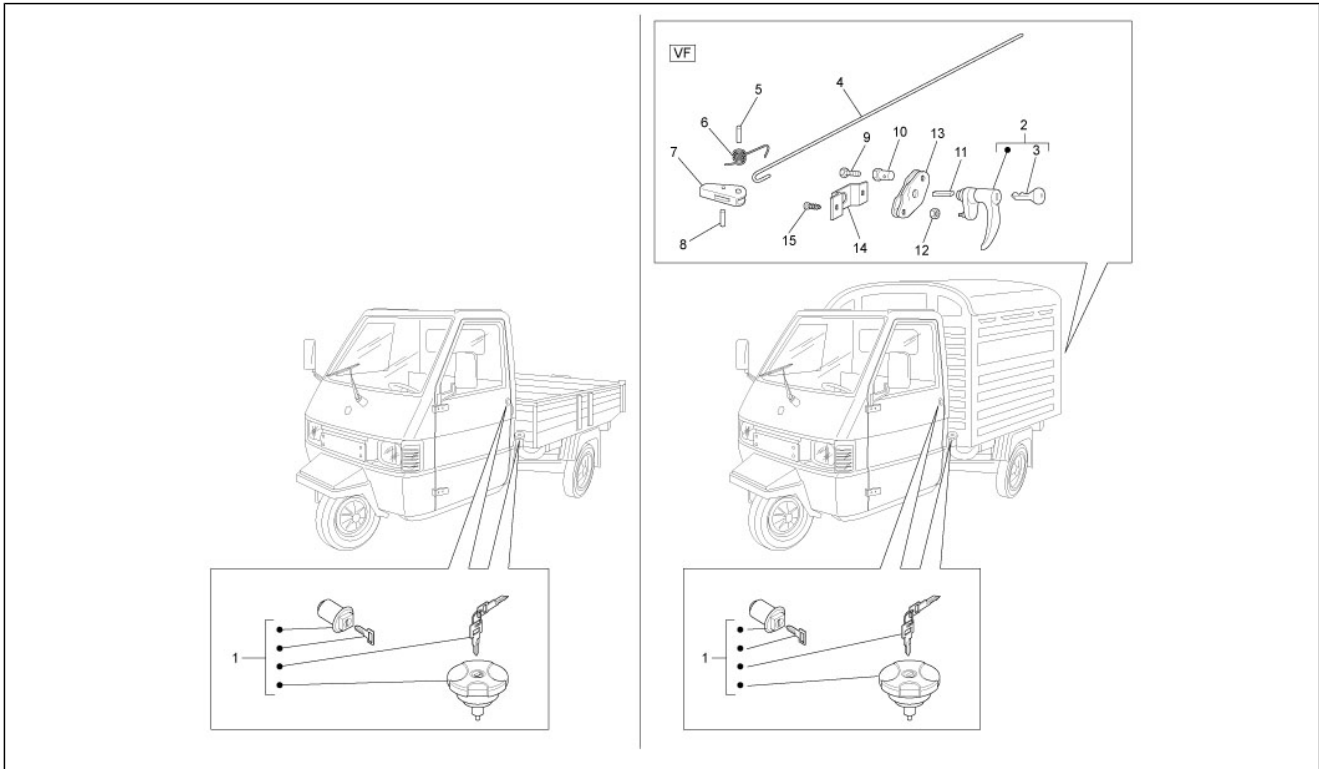
Pos.	Code	Description	Qty	Variants
1	565639	Seat back	1	
2	194721	Clip	3	
3	006968	Washer	2	
4	241279	Nut	2	
5	614081	Seat	1	
6	568367	Seat	1	
7	21229209	pipe	1	
8	016408	Spring washer 13,75x8,15x4,5	5	
9	810688	Nut	2	
10	031116	Hex socket screw	2	
11	003058	Washer 15x8,4x1,5	2	

<b>Group</b>	Frame - Plastic parts - Coachwork
<b>Code</b>	02.45
<b>Description</b>	Driving mirror/s
<b>Service</b>	1



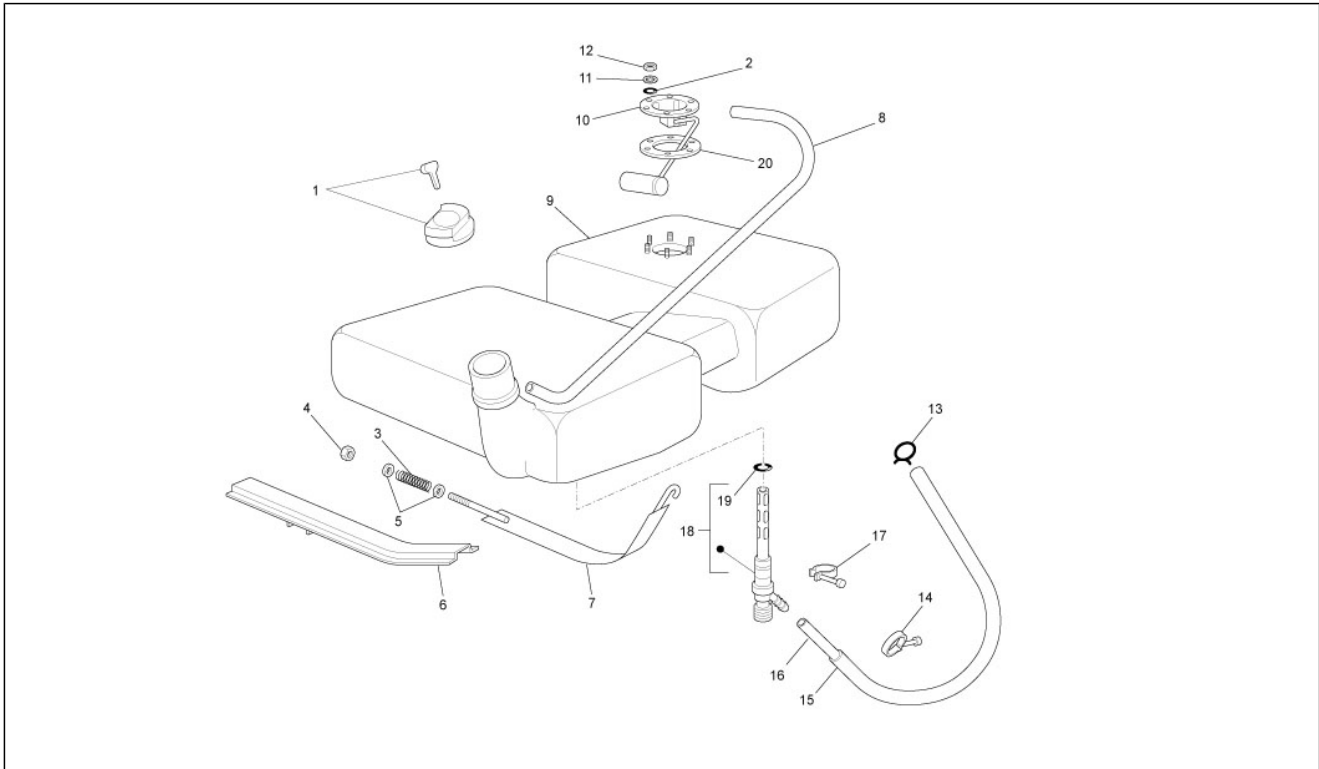
Pos.	Code	Description	Qty	Variants
1	612342	Mirror	1	
2	612343	Mirror	1	
3	8781087Z01000	Rear-view mirror	1	
4	8783487Z01000	Glass	1	

<b>Group</b>	Frame - Plastic parts - Coachwork
<b>Code</b>	02.46
<b>Description</b>	Locks
<b>Service</b>	1



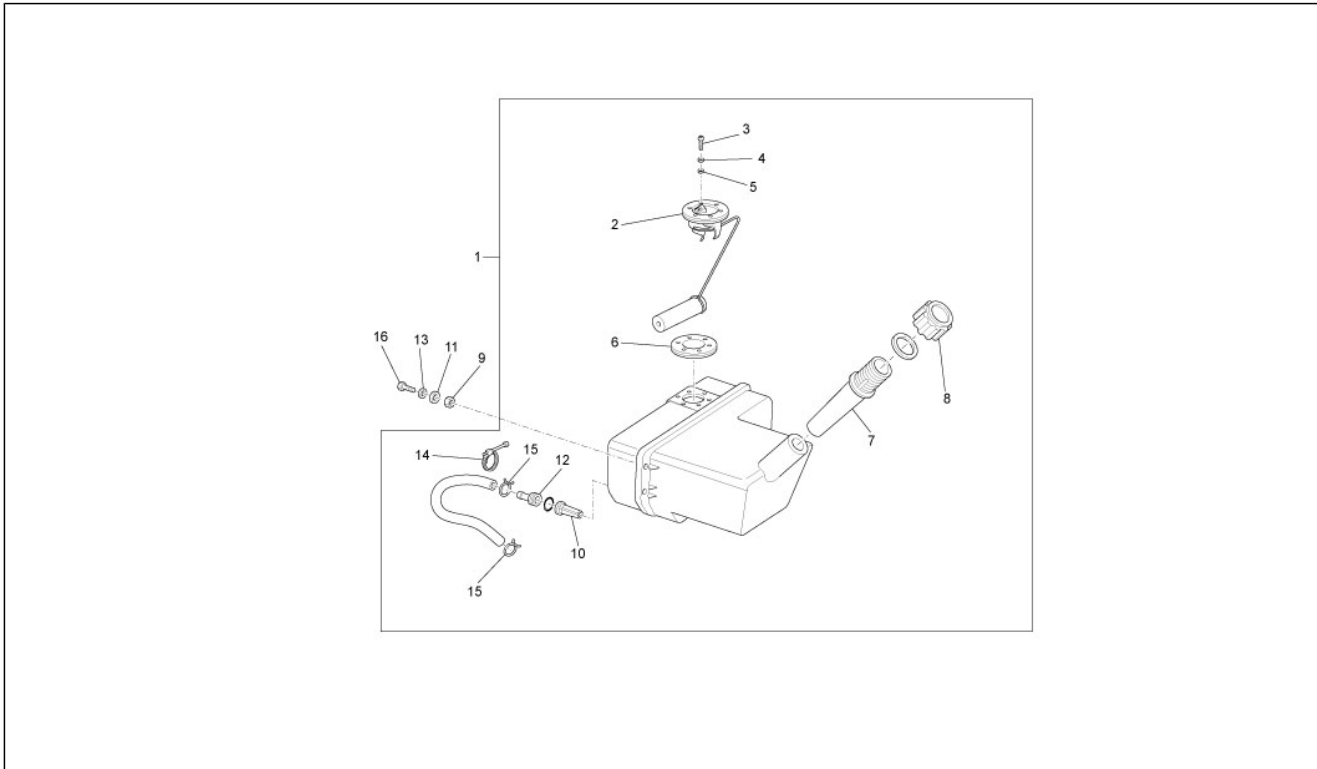
Pos.	Code	Description	Qty	Variants
1	613726	Lock hardware kit	1	
2	257094	Handle	1	
3	158831	Key blank	1	
4	140090	Tie rod	2	
5	008847	Pin	2	
6	141664	Spring	2	
7	141663	Pawl	2	
8	141666	Pin	2	
9	031086	Screw m6x12	2	
10	115817	Terminal	2	
11	217166	Pin	1	
12	804457	Stop nut M5-6H DIN 985	1	
13	141833	Plate	1	
14	217165	Bracket	1	
15	008432	Screw d3,5x9,5	2	

<b>Group</b>	Frame - Plastic parts - Coachwork
<b>Code</b>	02.47
<b>Description</b>	Fuel tank
<b>Service</b>	1



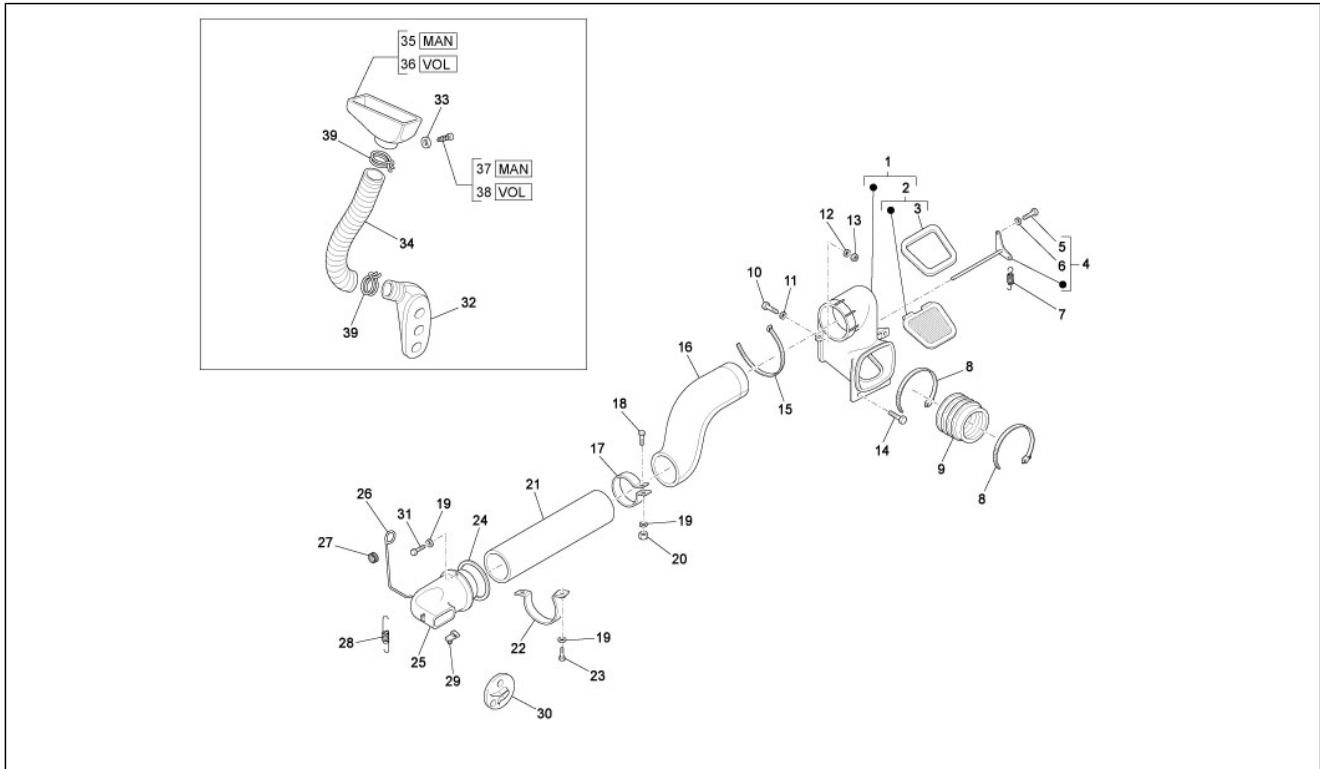
Pos.	Code	Description	Qty	Variants
1	613726	Lock hardware kit	1	
2	012531	Washer 4,2x8x1,1	6	
3	217254	Spring	1	
4	002418	Nut M8	1	
5	002383	Washer	1	
6	2174065	Crosspiece	1	
7	189317	Band	1	
8	CM031701	pipe	1	
9	247486	Tank	1	
10	189322	Indicator	1	
11	003054	Washer 4,3x8x0,5	1	
12	020104	Nut M4	6	
13	CM002907	Hose clamp	1	
14	141407	Hose clamp	1	
15	216327	pipe	1	
16	CM003501	Tank pipe	1	
17	127587	Hose clamp	1	
18	189320	Cock	1	
19	196868	Gasket	1	
20	127152	Gasket	1	

<b>Group</b>	Frame - Plastic parts - Coachwork
<b>Code</b>	02.52
<b>Description</b>	Oil tank
<b>Service</b>	1



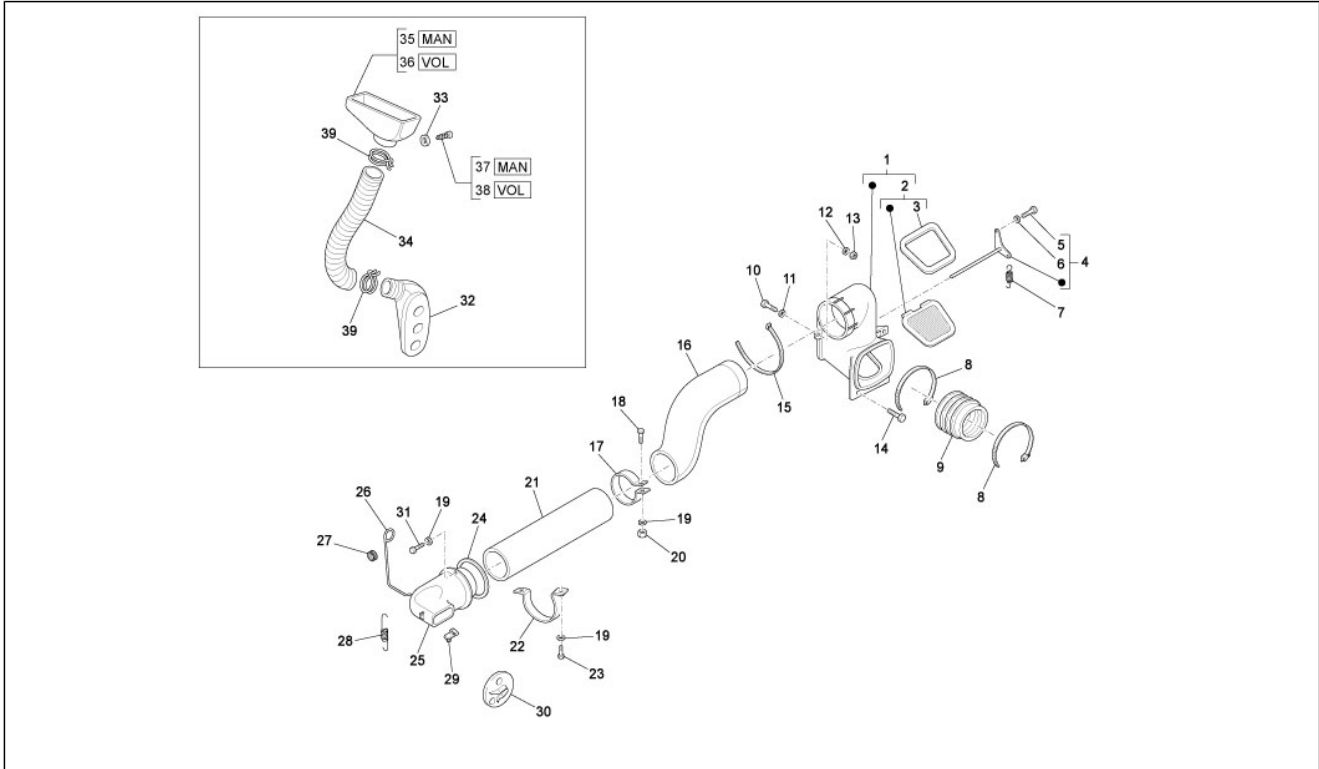
Pos.	Code	Description	Qty	Variants
1	263449	Oil tank	1	
2	260016	Reserve gauge	1	
3	008455	screw	6	
4	003054	Washer 4,3x8x0,5	1	
5	012531	Washer 4,2x8x1,1	1	
6	127152	Gasket	1	
7	185222	Funnel with filter	1	
8	261986	Cover	1	
9	020106	Nut M6	3	
10	185217	Oil filter	1	
11	006125	Flat washer	3	
12	257052	Union	1	
13	016406	Spring washer 6,4x11,8x1	3	
14	257053	Hose clamp	1	
15	CM002912	Hose clamp	2	
16	031091	Hex screw M6x22	3	

<b>Group</b>	Frame - Plastic parts - Coachwork
<b>Code</b>	02.58
<b>Description</b>	Heating
<b>Service</b>	1



Pos.	Code	Description	Qty	Variants
1	1404945	Air deflector	1	
2	109096	Diaphragm	1	
3	109098	Gasket	1	
4	1093305	Axle assembly	1	
5	031023	screw	1	
6	109329	Washer	1	
7	109744	Spring	1	
8	257134	Lock-strap	4	
9	108827	Bellows	1	
10	031088	screw M6x16	2	
11	003056	Flat washer 6,4x12x1	2	
12	016406	Spring washer 6,4x11,8x1	2	
13	020206	Nut M6	2	
14	015550	screw	2	
15	257134	Lock-strap	2	
16	1891385	Air duct	1	
17	216353	Hose clamp	1	
18	031040	screw	1	
19	003054	Washer 4,3x8x0,5	6	
20	020104	Nut M4	1	
21	215015	pipe	1	
22	215018	Support strap	1	
23	015859	screw	2	
24	216191	Gasket	1	
25	219021	Union	1	
26	219026	Tie rod	1	
27	056825	Fairlead	1	
28	219024	Spring	1	

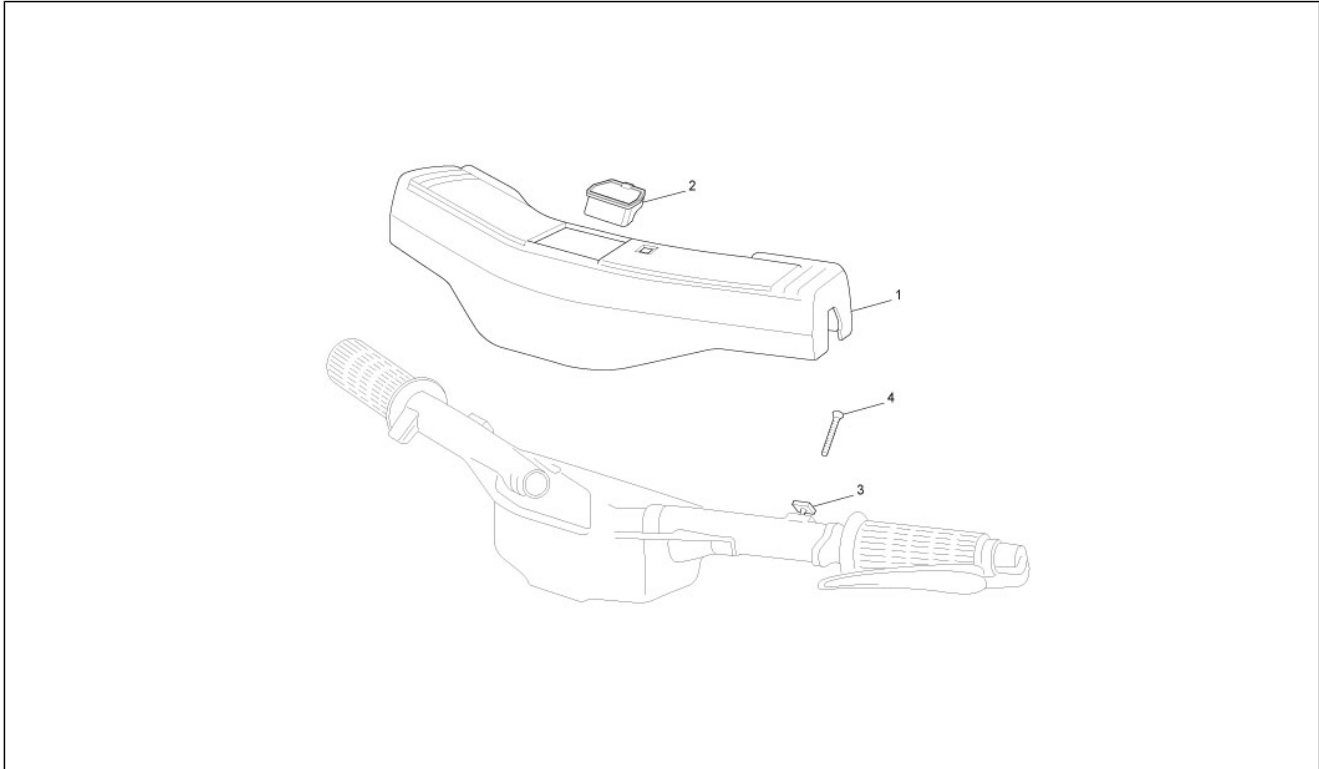
<b>Group</b>	Frame - Plastic parts - Coachwork
<b>Code</b>	02.58
<b>Description</b>	Heating
<b>Service</b>	1



Pos.	Code	Description	Qty	Variants
29	219025	Spring	1	
30	214163	Air shutter	2	
31	018508	screw	3	
32	216640	Air deflector	1	
33	003054	Washer 4,3x8x0,5	2	
34	214442	***TUBE	1	
35	214550	Defroster	1	
36	260379	***DEFROSTER	1	
37	015859	screw	2	
38	015730	screw	2	
39	264058	Hose clamp	2	

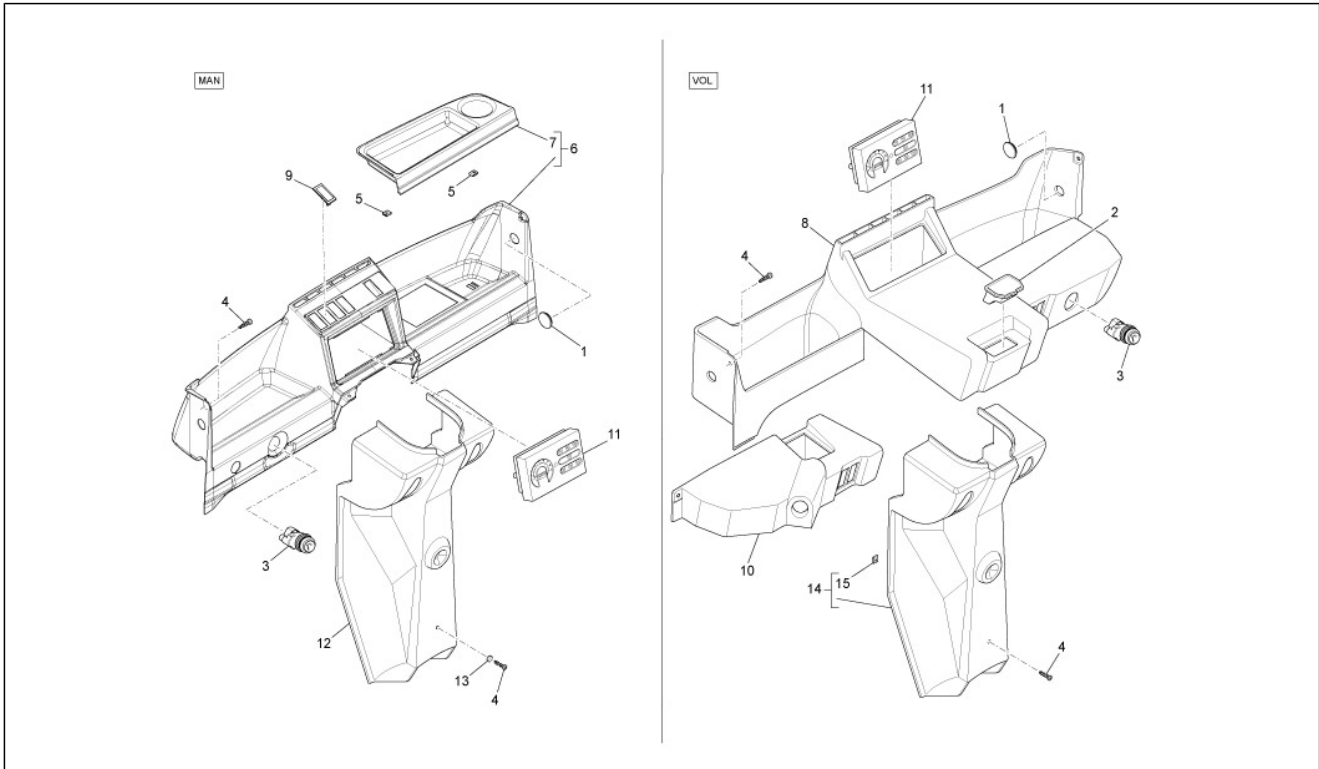


<b>Group</b>	Handlebars/Steering
<b>Code</b>	03.01
<b>Description</b>	Handlebars coverages
<b>Service</b>	1



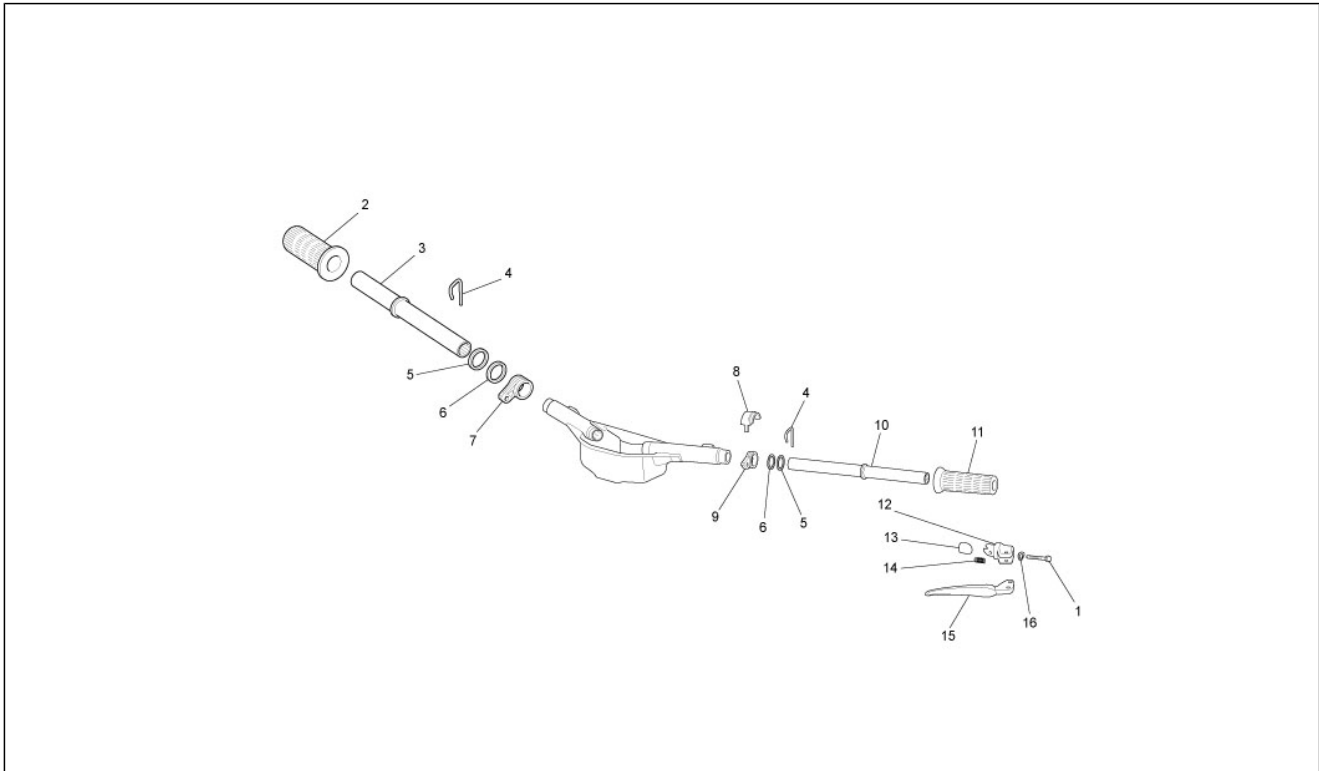
Pos.	Code	Description	Qty	Variants
1	261437	Handlebars shell	1	
2	178745	Ash-try	1	
3	CM017408	Plate	2	
4	216468	screw	2	

<b>Group</b>	Handlebars/Steering
<b>Code</b>	03.02
<b>Description</b>	Meter combination - Cruscotto
<b>Service</b>	1



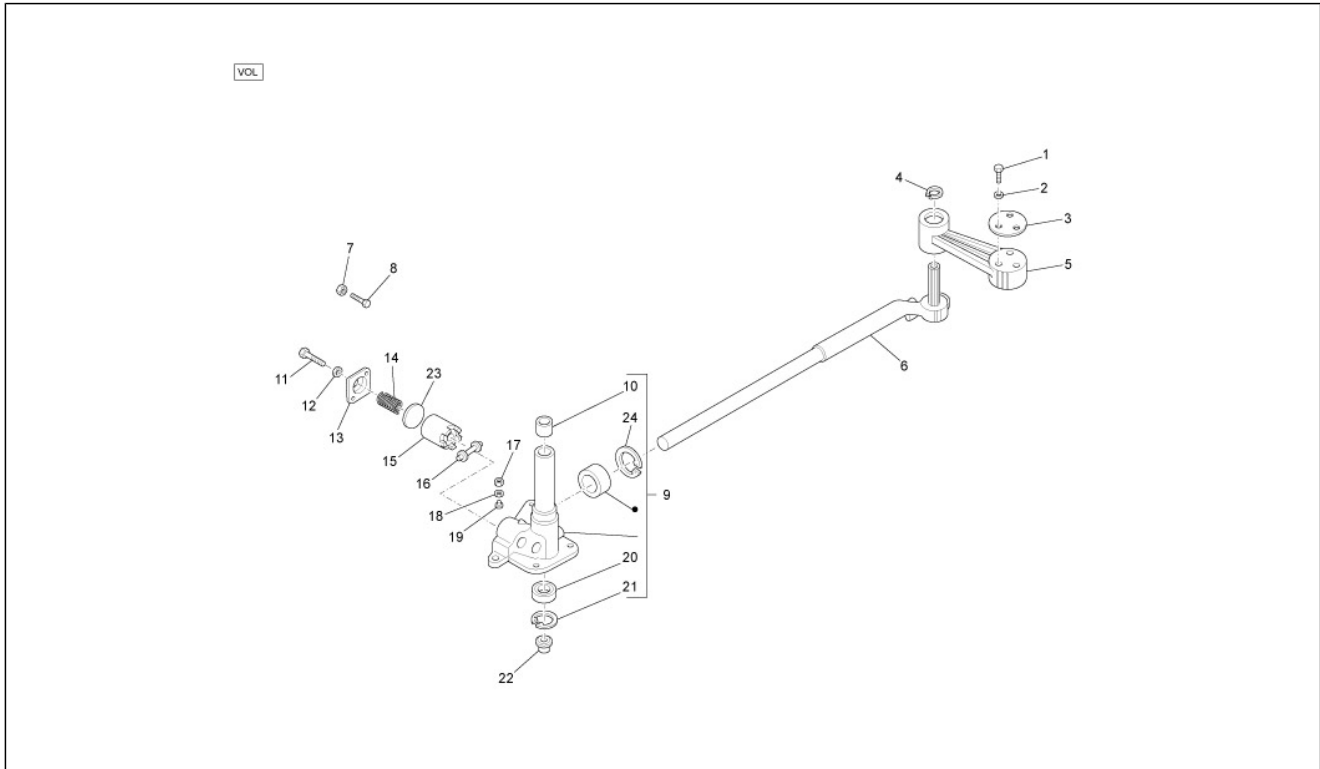
Pos.	Code	Description	Qty	Variants
1	098698	Cover	2	
2	178745	Ash-try	1	
3	565429	Electric lighter	1	
4	015911	Self tapping screw 4,2x16	8	
5	CM017409	Spring plate	2	
6	613907	Dashboard panel	1	
7	613909	Glove compartment	1	
8	567860	Dashboard panel	1	
9	568058	Cover	1	
10	567986	Bracket	1	
11	660718	***METER ASSY COMBINATION	1	
12	568051	Dashboard panel	1	
13	016670	Washer 4,5x12x1	4	
14	568053	Frame protection	1	
15	CM017409	Spring plate	3	

<b>Group</b>	Handlebars/Steering
<b>Code</b>	03.06
<b>Description</b>	Handlebars - Master cil.
<b>Service</b>	1



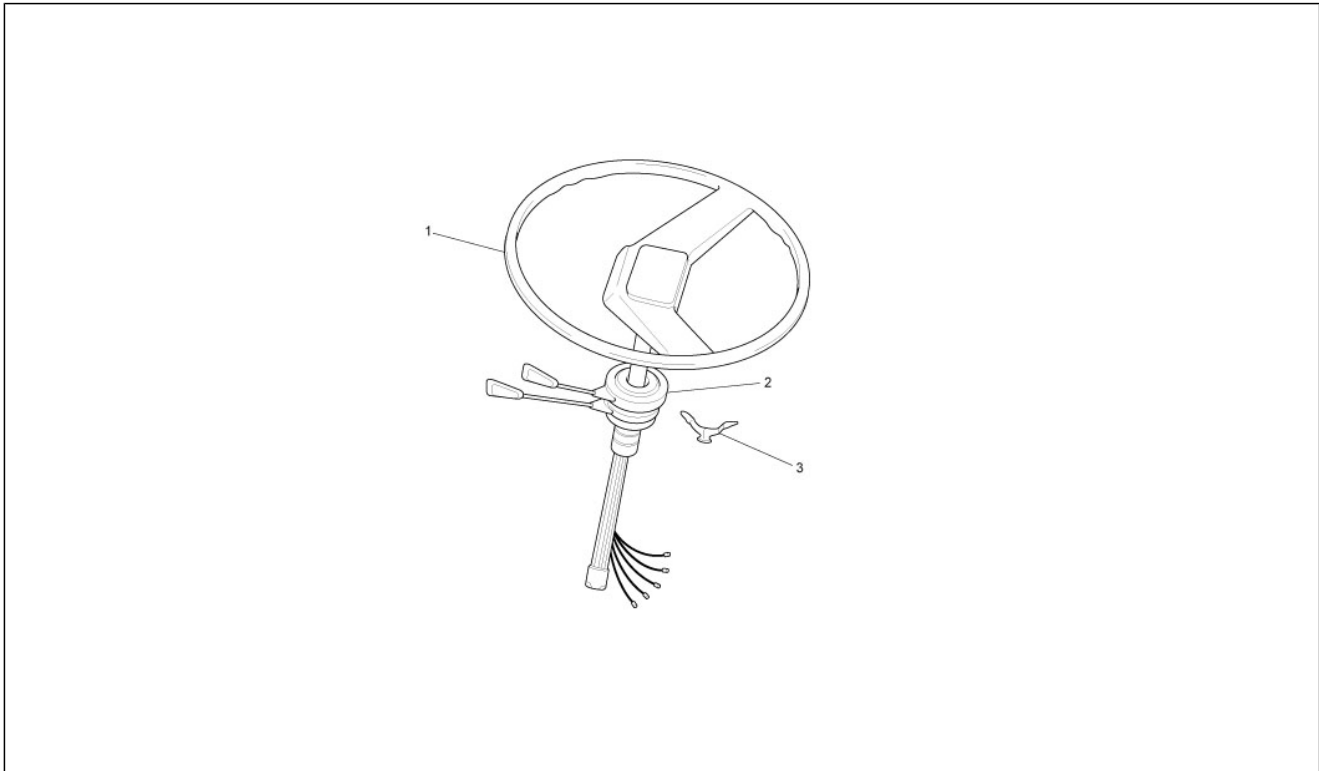
Pos.	Code	Description	Qty	Variants
1	018538	Hex socket screw M5x30	1	
2	225302	Grip	1	
3	225300	Throttle	1	
4	101481	Spring pin	2	
5	177148	Washer	2	
6	177147	Washer	2	
7	235008	Throttle control lever	1	
8	568505	Sector	1	
9	177507	Lever	1	
10	225296	pipe	1	
11	225298	Grip	1	
12	17789109	Lever holder	1	
13	177141	Wedge	1	
14	177132	Spring	1	
15	2654624	Clutch lever	1	
16	016343	Washer	1	

<b>Group</b>	Handlebars/Steering
<b>Code</b>	03.07
<b>Description</b>	Steering post articulation
<b>Service</b>	1



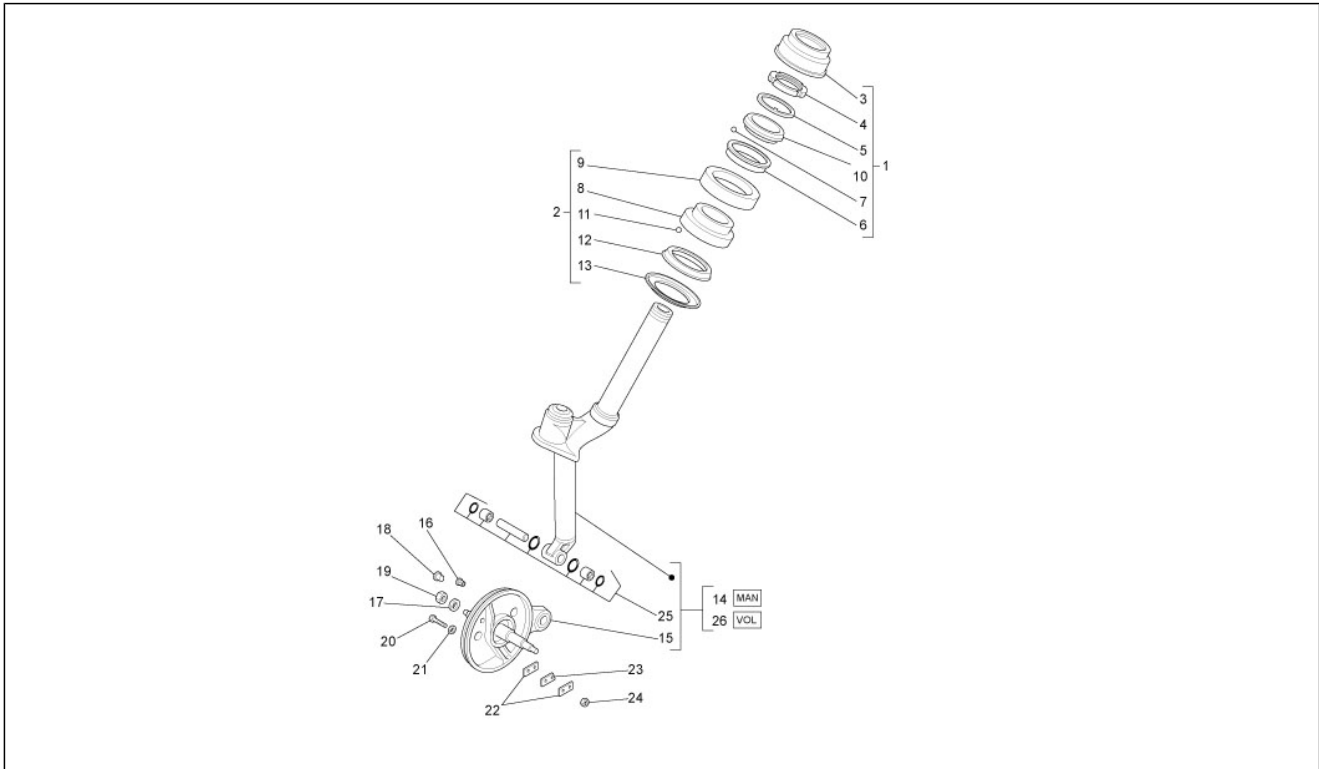
Pos.	Code	Description	Qty	Variants
1	030097	screw M10x40	3	
2	016410	Washer 17,6x11x2,5	3	
3	179614	Washer	1	
4	006414	Circlip	1	
5	179476	Lever	1	
6	1794751	Rack	1	
7	020106	Nut M6	1	
8	179927	screw	1	
9	004882U	Steering housing	1	
10	117433	Bushing	1	
11	031087	screw	2	
12	016406	Spring washer 6,4x11,8x1	2	
13	179926	Plug	1	
14	179929	Spring	1	
15	119375	Bracket	1	
16	107556	Roller	1	
17	810688	Nut	3	
18	016408	Spring washer 13,75x8,15x4,5	3	
19	003058	Washer 15x8,4x1,5	3	
20	117435	Bearing	1	
21	006630	Snap ring	1	
22	002440	Self locking nut M10	1	
23	179928	Disc	1	
24	006635	Snap ring	2	

<b>Group</b>	Handlebars/Steering
<b>Code</b>	03.09
<b>Description</b>	Steering wheel
<b>Service</b>	1



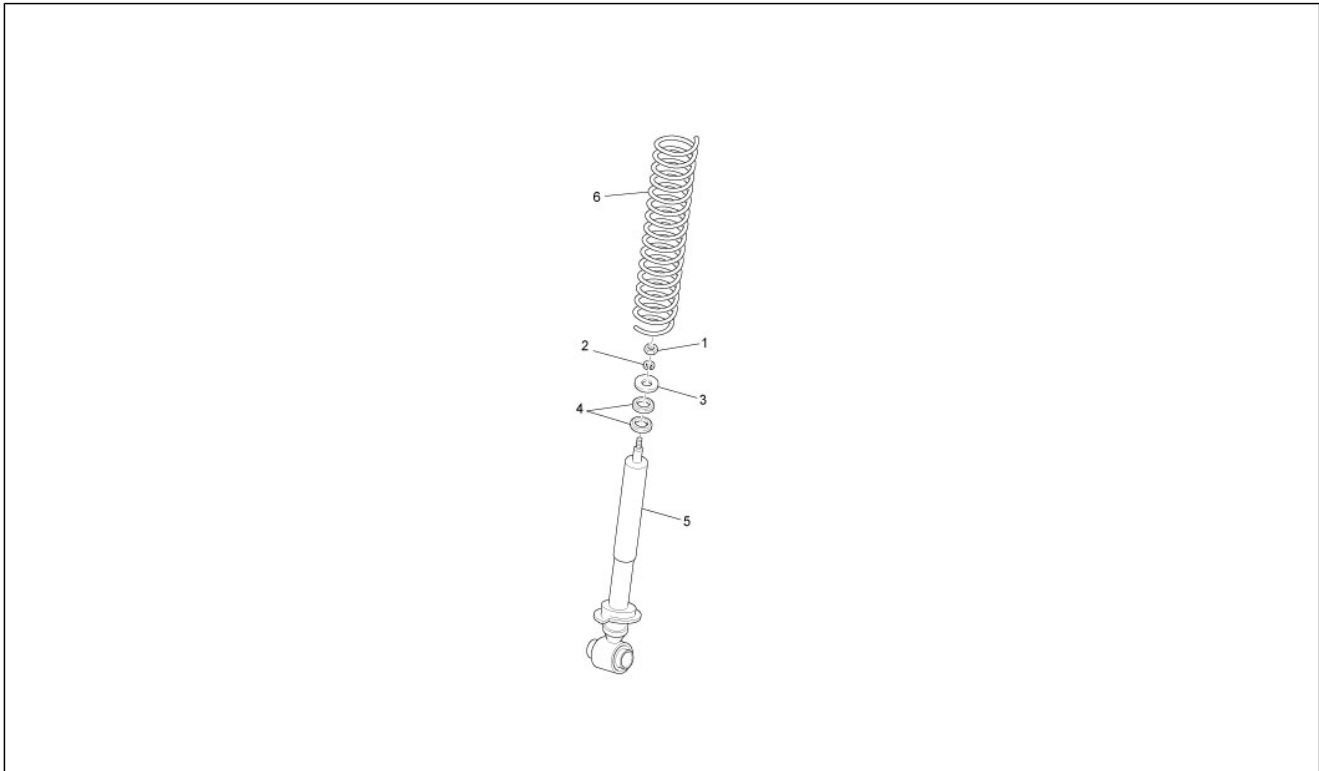
Pos.	Code	Description	Qty	Variants
1	225729	Steering wheel	1	
2	581341	Horn	1	
3	119090	Spring	1	

<b>Group</b>	Suspensions - Wheels
<b>Code</b>	04.02
<b>Description</b>	Fork/steering tube - Steering bearing unit
<b>Service</b>	1



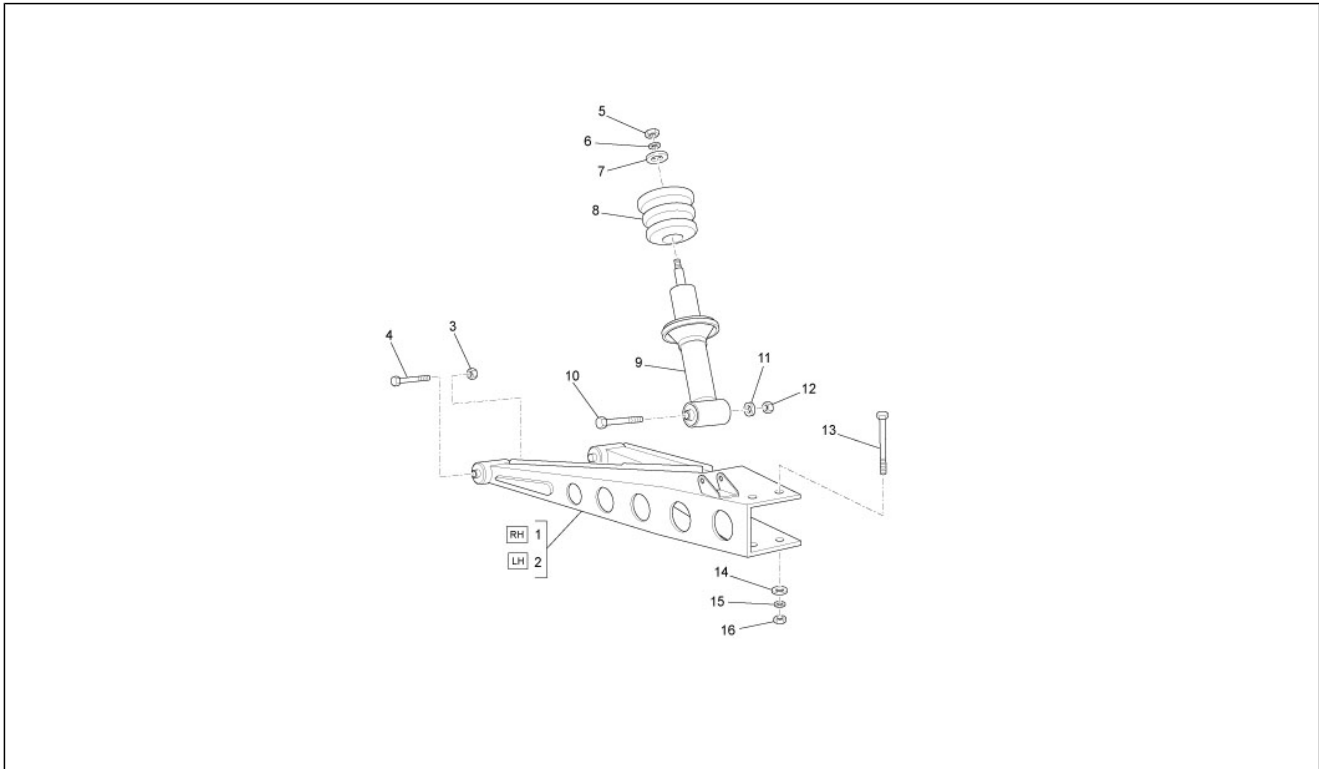
Pos.	Code	Description	Qty	Variants
1	493618	Steering bear assembly	1	
2	493619	Steering bear assembly	1	
3	178550	Cover	1	
4	177080	Ring nut	1	
5	177079	Washer	1	
6	568928	Bearing housing	1	
7	014246	Ball	44	
8	568929	Outer thrust bearing	1	
9	175497	Dust cover	1	
10	568927	Upper thrust ring	1	
11	006381	Ball	27	
12	568930	Bearing housing	1	
13	125223	Dust cover	1	
14	5682575	Steering tube	1	
15	2443025	Suspension arm	1	
16	178811	Pin	2	
17	122781	Washer	1	
18	178838	Cover	1	
19	006844	Nut	1	
20	030078	screw	2	
21	003058	Washer 15x8,4x1,5	2	
22	075765	Block	2	
23	105498	Slide piece	1	
24	020008	Nut M8	2	
25	154604	Group for overhauling the steering unit	1	
26	2279015	***STER COLUMN	1	

<b>Group</b>	Suspensions - Wheels
<b>Code</b>	04.07
<b>Description</b>	Front suspension - Shock absorber/s
<b>Service</b>	1



Pos.	Code	Description	Qty	Variants
1	021110	Nut	1	
2	016410	Washer 17,6x11x2,5	1	
3	177468	Disc	1	
4	174874	Drift	2	
5	646465	***AMMORTIZZ.ANTE	1	
6	226612	Spring	1	

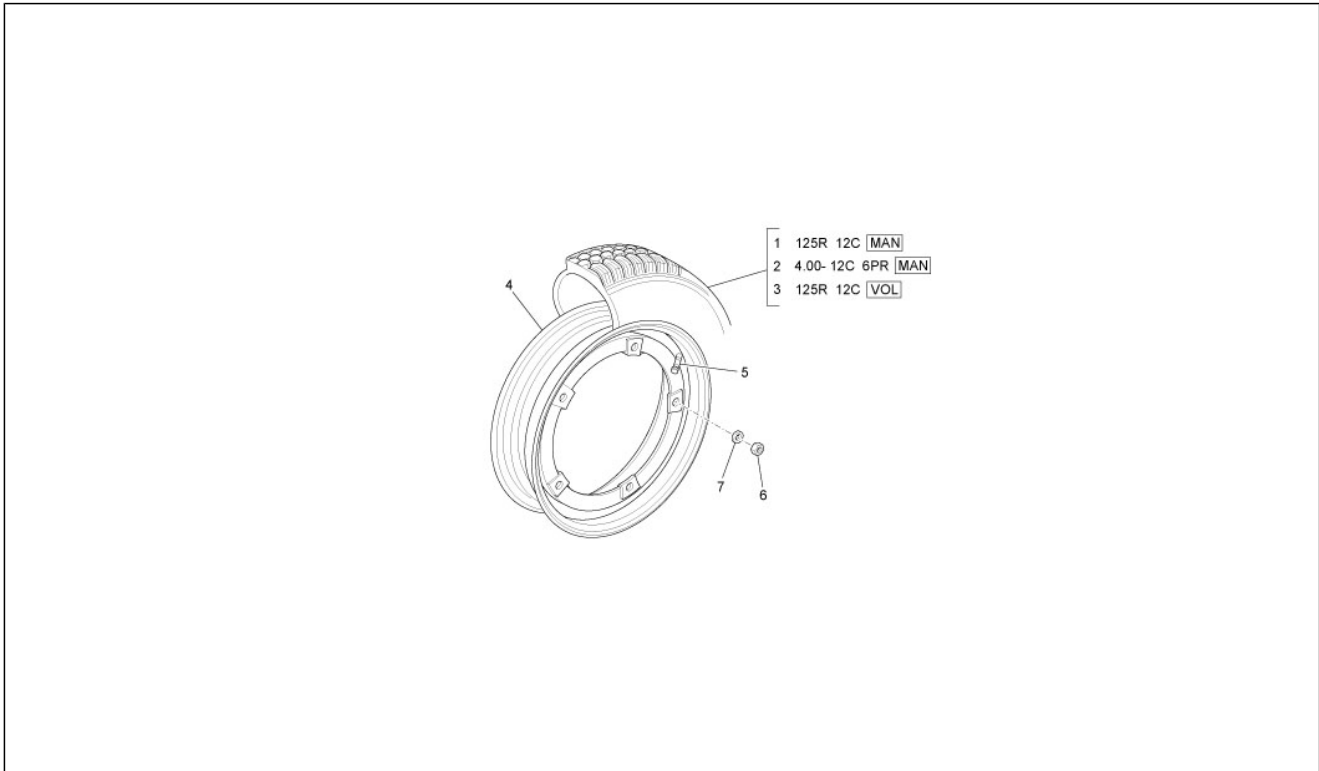
<b>Group</b>	Suspensions - Wheels
<b>Code</b>	04.10
<b>Description</b>	Rear suspension - Shock absorber/s
<b>Service</b>	1



Pos.	Code	Description	Qty	Variants
1	2671735	Dh triangle	1	
2	2671725	Lh triangle	1	
3	231370	Self locking nut	4	
4	018622	screw	4	
5	021110	Nut	2	
6	260467	Spring washer	2	
7	122781	Washer	2	
8	174874	Drift	1	
9	646466	***DAMPER	2	
10	030153	screw	2	
11	020114	Washer	2	
12	016414	Nut	2	
13	030115	Hex screw M10x130	3	
14	013962	Washer	1	
15	016410	Washer 17,6x11x2,5	3	
16	020110	Nut	3	

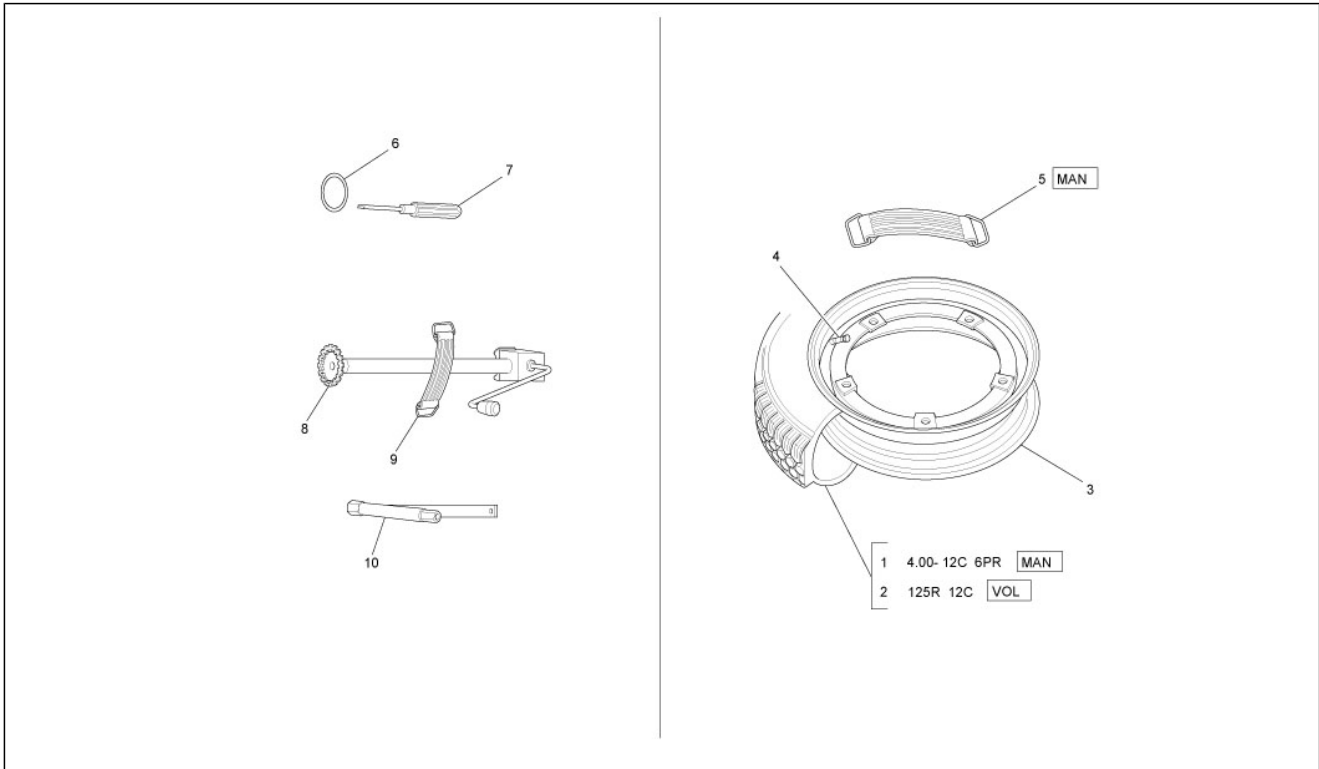


<b>Group</b>	Suspensions - Wheels
<b>Code</b>	04.13
<b>Description</b>	Front and rear wheels
<b>Service</b>	1



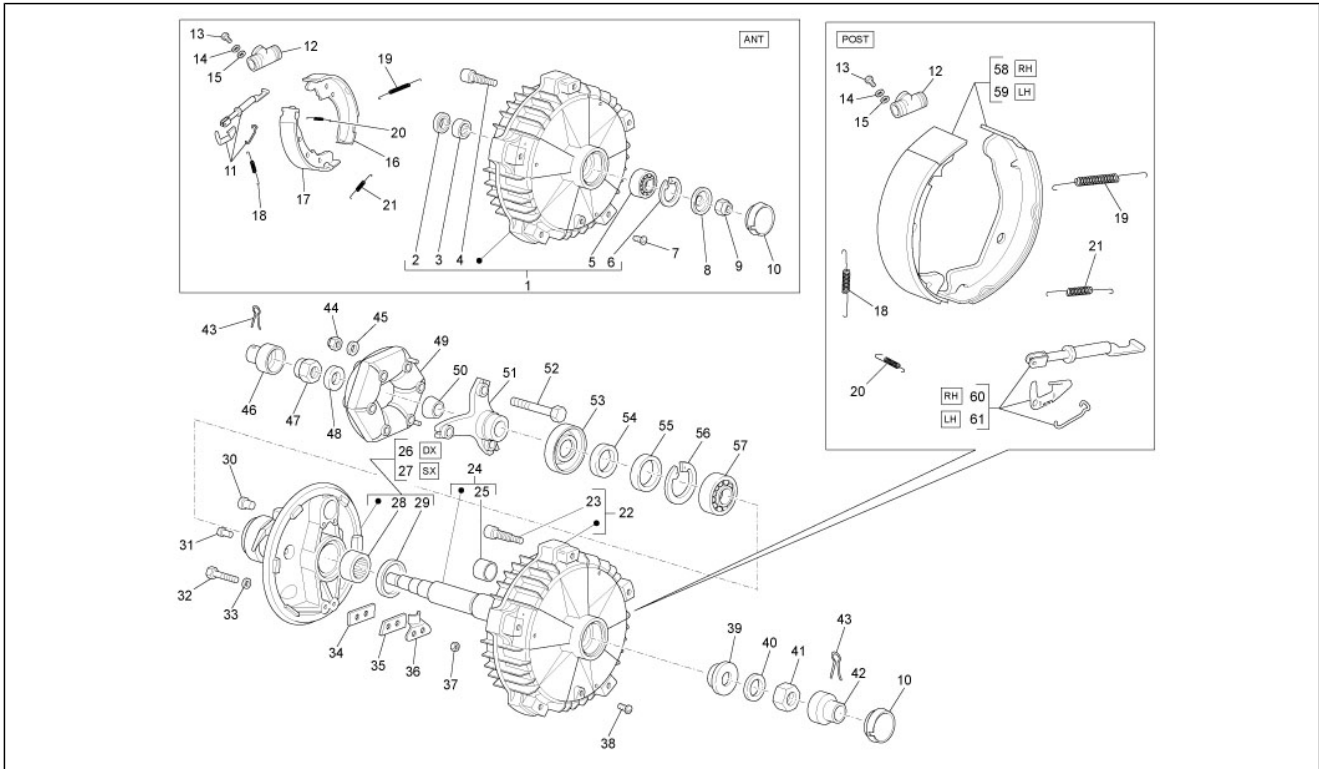
Pos.	Code	Description	Qty	Variants
1	56513R	Tyre	2	
2	56512R	Tyre	1	
3	56513R	Tyre	3	
4	260409	Wheel	3	
5	270991	Tubeless tyre valve	3	
6	015330	Nut M10	15	
7	178790	Flat washer 22x10,3x2,5	15	

<b>Group</b>	Suspensions - Wheels
<b>Code</b>	04.14
<b>Description</b>	Spare wheel
<b>Service</b>	1



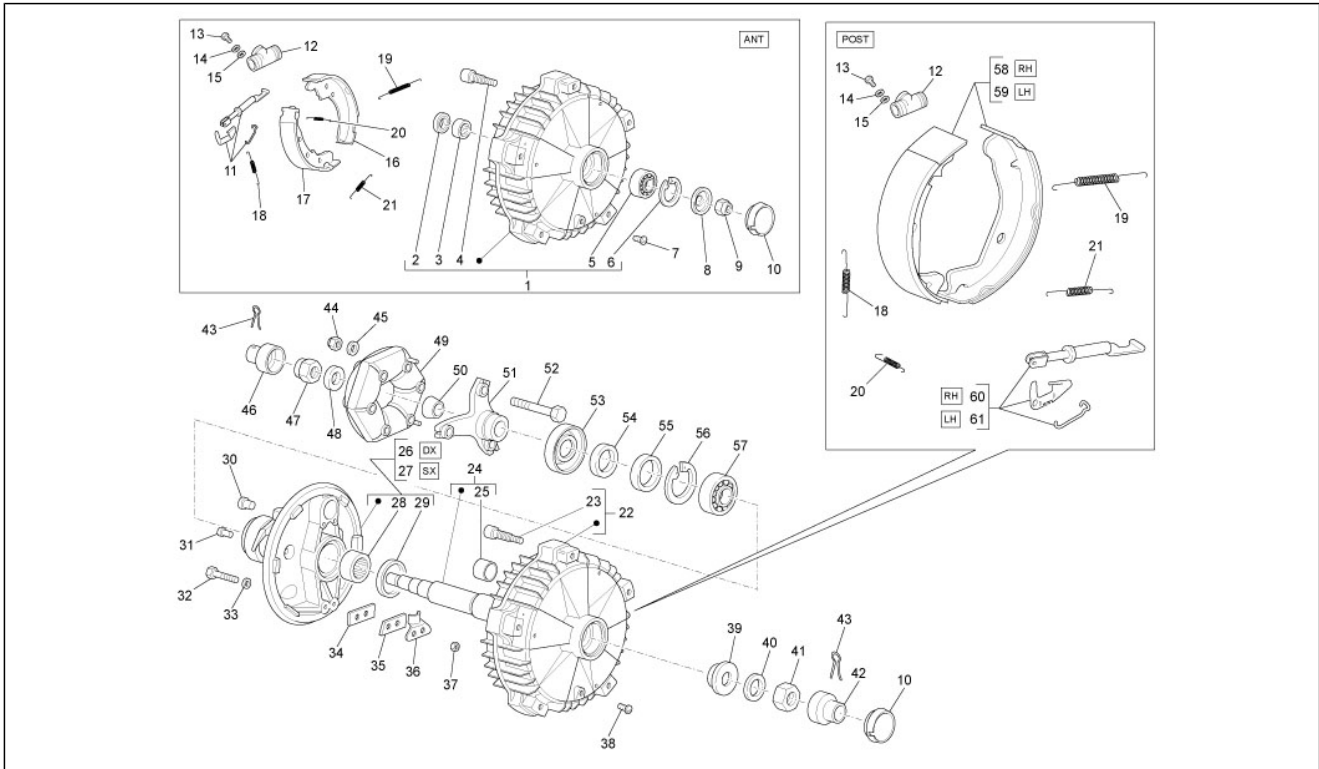
Pos.	Code	Description	Qty	Variants
1	56512R	Tyre	1	
2	56513R	Tyre	1	
3	260409	Wheel	1	
4	270991	Tubeless tyre valve	1	
5	214801	Belt	1	
6	124980	Tie rod	1	
7	183059	Screwdriver	1	
8	244690	Jack	1	
9	090854	Strip	1	
10	214227	Socket spanner	1	

<b>Group</b>	Braking system - Transmissions
<b>Code</b>	05.02
<b>Description</b>	Brake jaw
<b>Service</b>	1



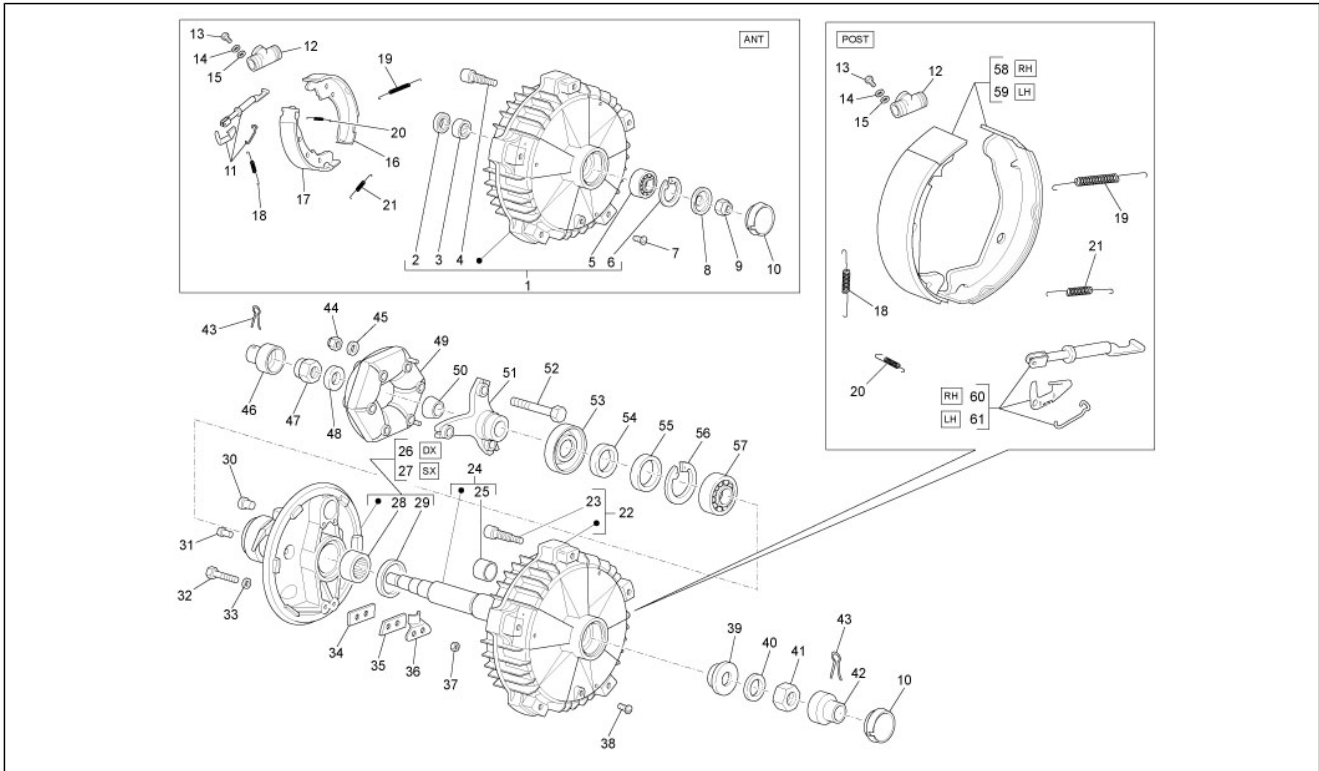
Pos.	Code	Description	Qty	Variants
1	2461985	Brake drum	1	
2	116037	Ring	1	
3	243804	Roller cage	1	
4	179060	screw	5	
5	227687	Bearing	1	
6	006647	Circlip	1	
7	138241	screw	1	
8	177468	Disc	1	
9	074521	Nut	1	
10	566122	Cover	3	
11	644326	***ADJUSTER GR.	3	
12	2451932	Wheel brake cylinder	3	
13	030052	screw	12	
14	003056	Flat washer 6,4x12x1	12	
15	012536	Washer	12	
16	568373	Brake jaw	1	
17	568372	Brake jaw	1	
18	178808	Spring	3	
19	245038	Spring	3	
20	225549	Spring	6	
21	178750	Spring	3	
22	2462074	Brake drum	2	
23	179060	screw	5	
24	1781856	Wheel axle	2	
25	178187	Ring	1	
26	2441455	Hub wheel	1	
27	2441445	Hub wheel	1	
28	177431	Drawn cap	1	

<b>Group</b>	Braking system - Transmissions
<b>Code</b>	05.02
<b>Description</b>	Brake jaw
<b>Service</b>	1



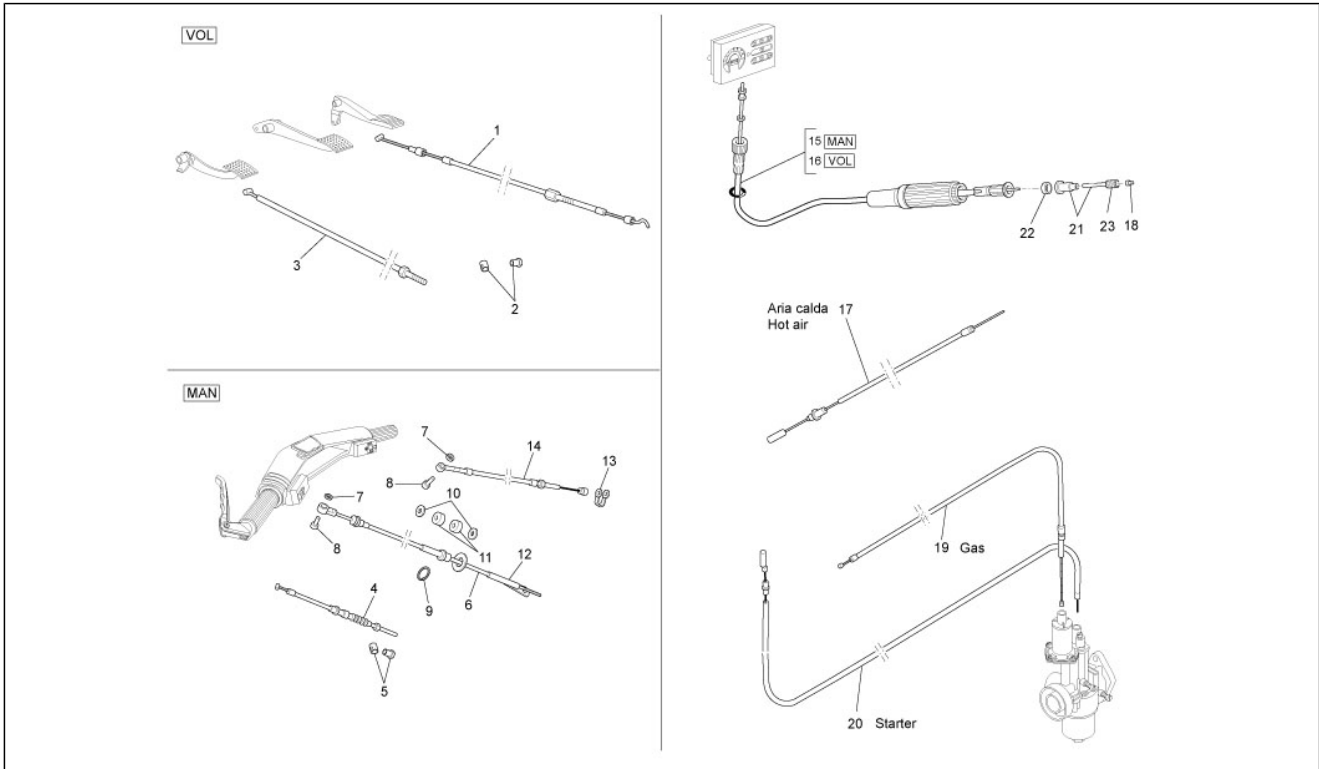
Pos.	Code	Description	Qty	Variants
29	177432	Ring	1	
30	178838	Cover	2	
31	178811	Pin	4	
32	030078	screw	4	
33	003058	Washer 15x8,4x1,5	4	
34	075765	Block	2	
35	105498	Slide piece	2	
36	244159	Plate	2	
37	020008	Nut M8	4	
38	138241	screw	2	
39	178193	Cone	2	
40	078186	Washer	2	
41	021120	Nut	2	
42	175493	Cap	2	
43	012790	Split pin	4	
44	231370	Self locking nut	6	
45	016626	Plain washer 10,4x18x2	6	
46	177559	Cap	2	
47	021118	Nut	2	
48	003068	Washer	2	
49	2283020001	Flexible coupling	2	
50	128633	Cone	2	
51	268218	Hub	2	
52	018572	Bolt	6	
53	176190	Cup	2	
54	1370513	Ring	2	
55	196302	Ring	2	
56	006650	Ring	2	

<b>Group</b>	Braking system - Transmissions
<b>Code</b>	05.02
<b>Description</b>	Brake jaw
<b>Service</b>	1



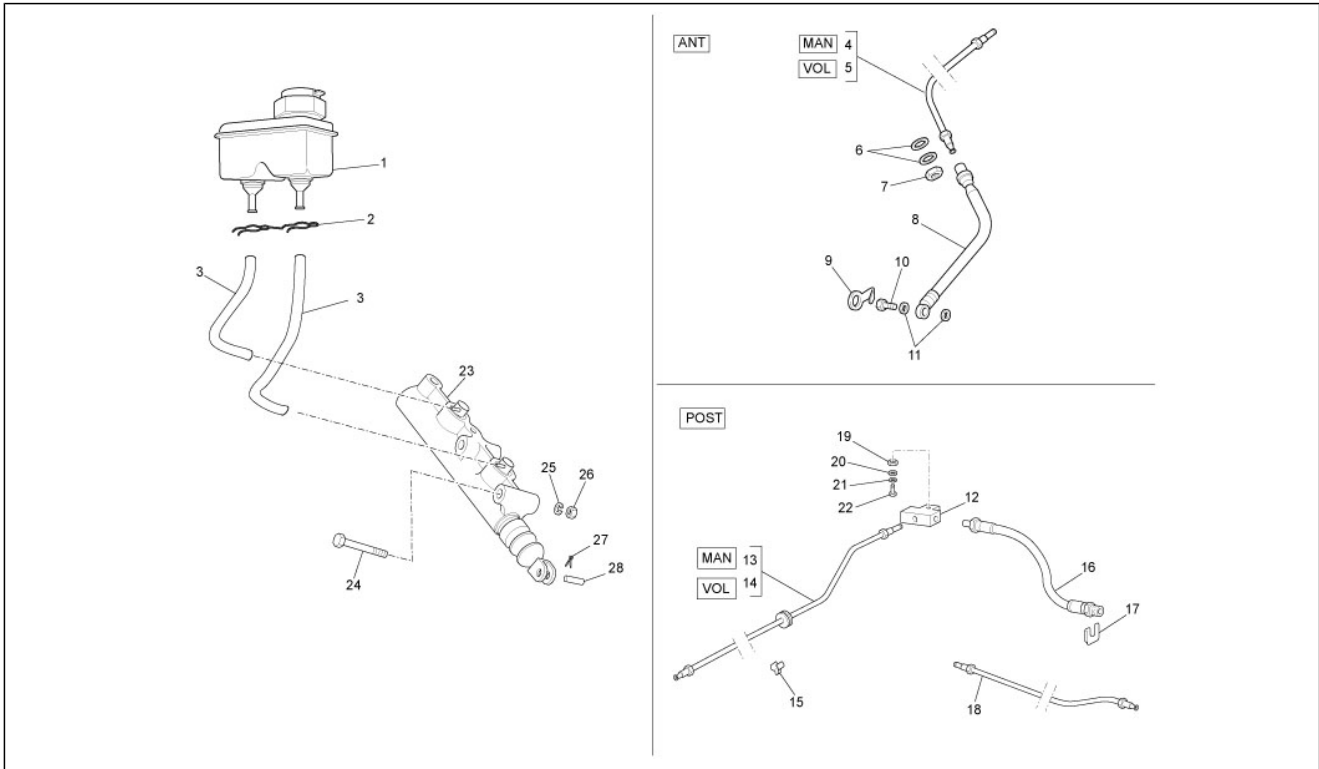
Pos.	Code	Description	Qty	Variants
57	243303	Bearing	2	
58	568377	Brake jaw	1	
59	568379	Brake jaw	1	
60	644327	***ADJUSTER GR.	1	
61	644326	***ADJUSTER GR.	1	

<b>Group</b>	Braking system - Transmissions
<b>Code</b>	05.03
<b>Description</b>	Transmissions
<b>Service</b>	1



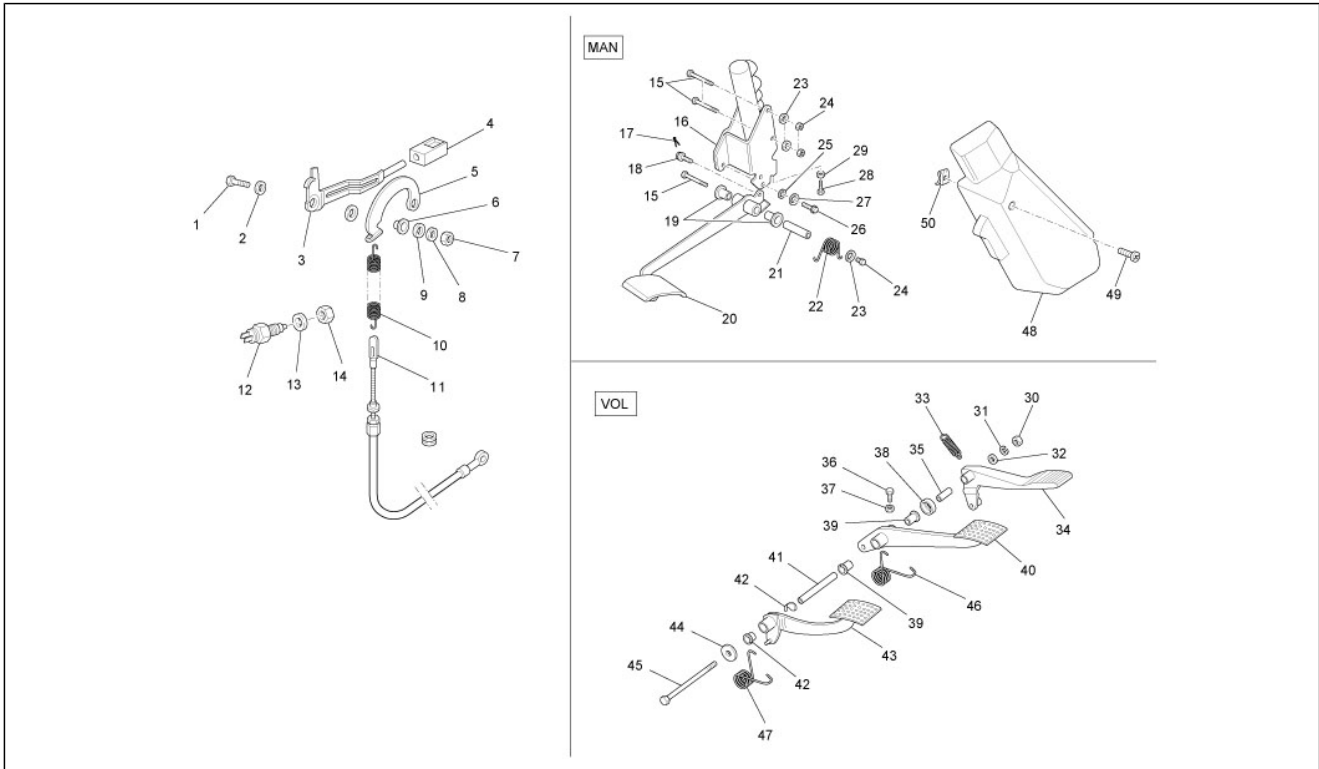
Pos.	Code	Description	Qty	Variants
1	611643	Gas lever transmission	1	
2	402384	Register	1	
3	611641	Clutch control transmission	1	
4	658204	***CLUTCH CABLE RELEASE	1	
5	402384	Register	1	
6	197097	Transmission	1	
7	005965	Ring	2	
8	177133	Pin	2	
9	005970	Ring	1	
10	197101	Washer	2	
11	197100	Drift	2	
12	193836	Protection	1	
13	133439	Element	1	
14	658204	***CLUTCH CABLE RELEASE	1	
15	658133	***CABLE ASSY, SPEEDOMETER DRIVE	1	
16	658134	***CABLE ASSY, SPEEDOMETER DRIVE	1	
17	214165	Transmission	1	
18	0084402	Pawl	1	
19	224979	Transmission	1	
20	214168	Transmission	1	
21	117402	Ring	1	
22	117401	Bush	1	
23	117404	Pinion	1	

<b>Group</b>	Braking system - Transmissions
<b>Code</b>	05.04
<b>Description</b>	Braking system
<b>Service</b>	1



Pos.	Code	Description	Qty	Variants
1	252884	Oil tank	1	
2	126135	Front fork	2	
3	1261363	***NOT SPECIFIC	2	
4	229284	pipe	1	
5	253516	pipe	1	
6	048197	Washer	2	
7	021216	Nut	1	
8	246636	pipe	1	
9	247975	Plate	1	
10	127863	screw	1	
11	127927	Gasket	2	
12	136371	Union	1	
13	229285	pipe	1	
14	253517	pipe	1	
15	179013	Spring	2	
16	174524	pipe	2	
17	136916	Plate	2	
18	177936	pipe	2	
19	020106	Nut M6	1	
20	012533	Notched washer 6,6x11x0	1	
21	003056	Flat washer 6,4x12x1	1	
22	031092	screw M6x25	1	
23	2495205	Brakes pump	1	
24	030077	Bolt	3	
25	006978	Washer	3	
26	810688	Nut	3	
27	003207	***SPLIT PIN	1	
28	074451	Pin	1	

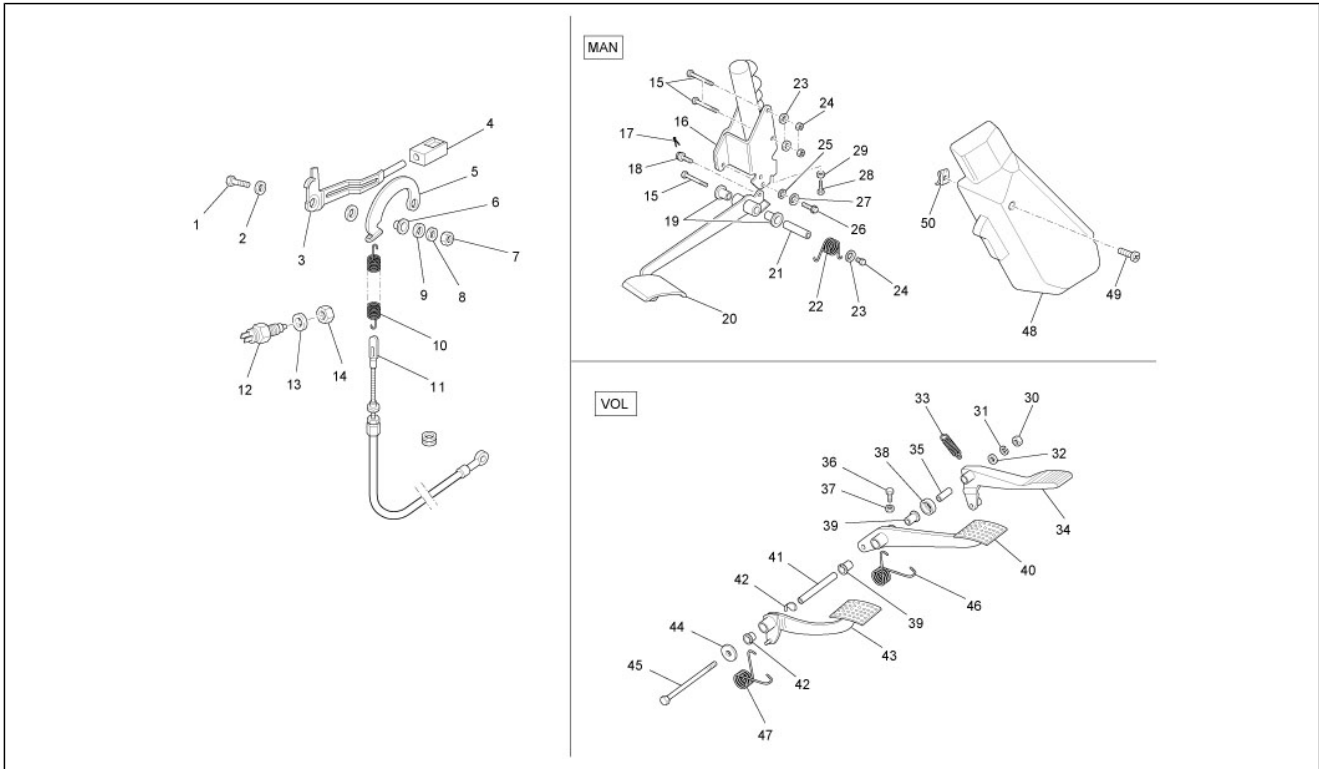
<b>Group</b>	Braking system - Transmissions
<b>Code</b>	05.05
<b>Description</b>	Control pedals - Levers
<b>Service</b>	1



Pos.	Code	Description	Qty	Variants
1	031090	Hex screw	1	
2	013880	Flat washer 16x6,5x1,5	1	
3	568570	Lever	1	
4	213686	Knob	1	
5	213683	Lever	1	
6	213684	Ring	1	
7	195482	Self locking nut M6	1	
8	013950	Washer 6,2x18x2	1	
9	006970	Washer	1	
10	246509	Spring	1	
11	266596	Transmission	1	
12	252166	Button	1	
13	013843	Washer	1	
14	568636	Nut m12x1,5 h=7	1	
15	030077	Bolt	3	
16	229264	Maintenance	1	
17	003207	***SPLIT PIN	1	
18	074451	Pin	1	
19	116310	Bush	2	
20	229267	Brake pedal	1	
21	229271	Spacer	1	
22	229272	Spring	1	
23	006978	Washer	3	
24	810688	Nut	3	
25	003038	Flat washer 8,4x18x2	3	
26	031119	screw	3	
27	016408	Spring washer 13,75x8,15x4,5	3	
28	031090	Hex screw	1	

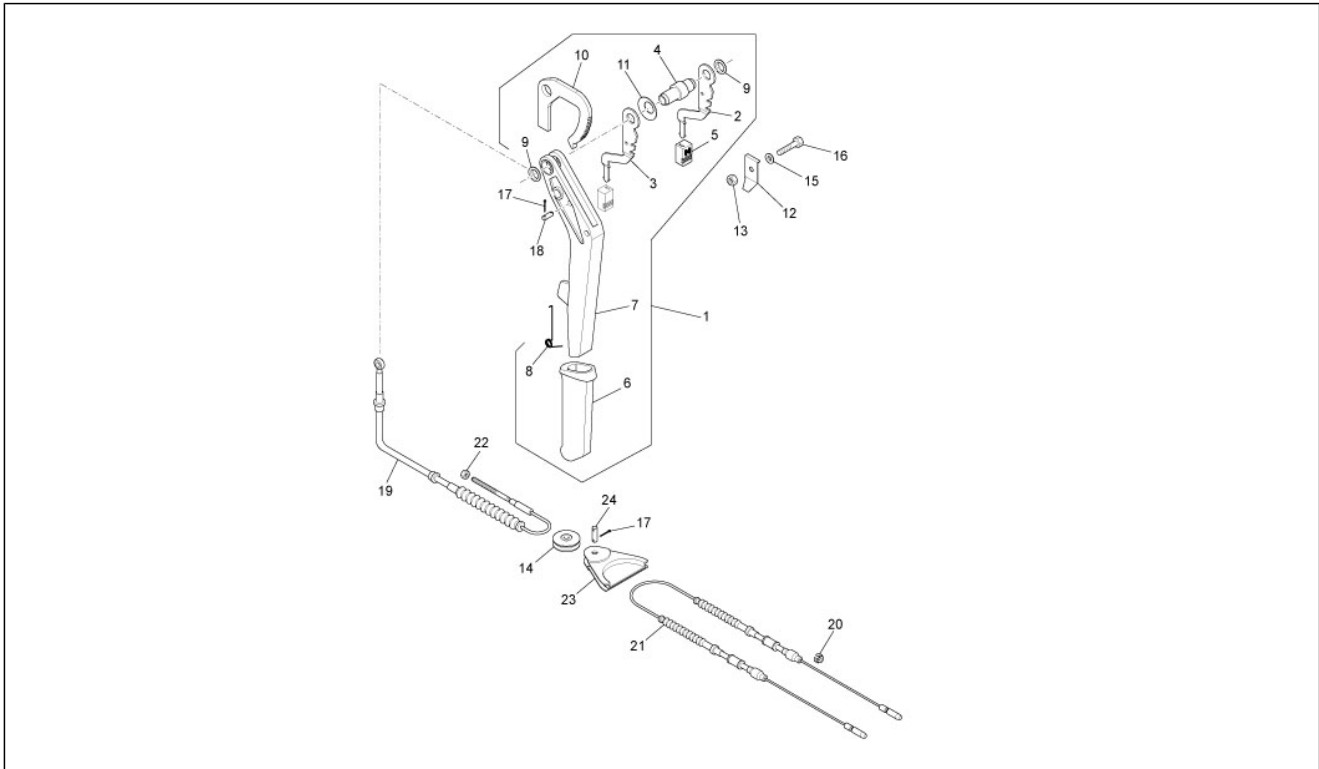


<b>Group</b>	Braking system - Transmissions
<b>Code</b>	05.05
<b>Description</b>	Control pedals - Levers
<b>Service</b>	1



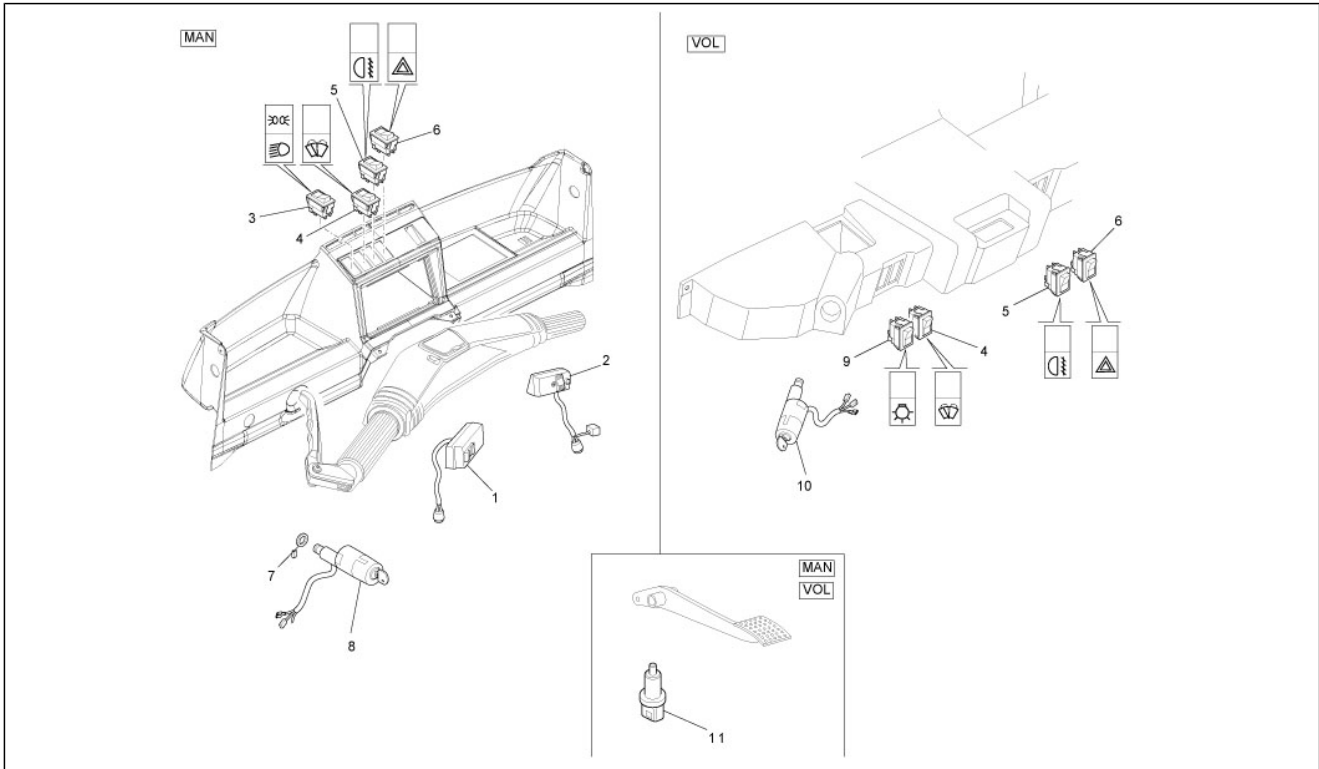
Pos.	Code	Description	Qty	Variants
29	020206	Nut M6	1	
30	810688	Nut	1	
31	012540	Notched washer 14x8,3x1,8	1	
32	003058	Washer 15x8,4x1,5	1	
33	125354	Spring	1	
34	253301	Throttle pedal	1	
35	125355	Spacer	1	
36	031087	screw	1	
37	020208	Nut M8	1	
38	125344	Washer	1	
39	116310	Bush	2	
40	568650	Brake pedal	1	
41	128854	Spacer	1	
42	125352	Bush	2	
43	253297	Clutch pedal	1	
44	118563	Washer	1	
45	030088	screw	1	
46	125353	Spring	1	
47	137113	Spring	1	
48	611601	Pump cover	1	
49	259830	Screw m6x22	4	
50	254485	Spring plate M6	4	

<b>Group</b>	Braking system - Transmissions
<b>Code</b>	05.07
<b>Description</b>	Parking brake
<b>Service</b>	1



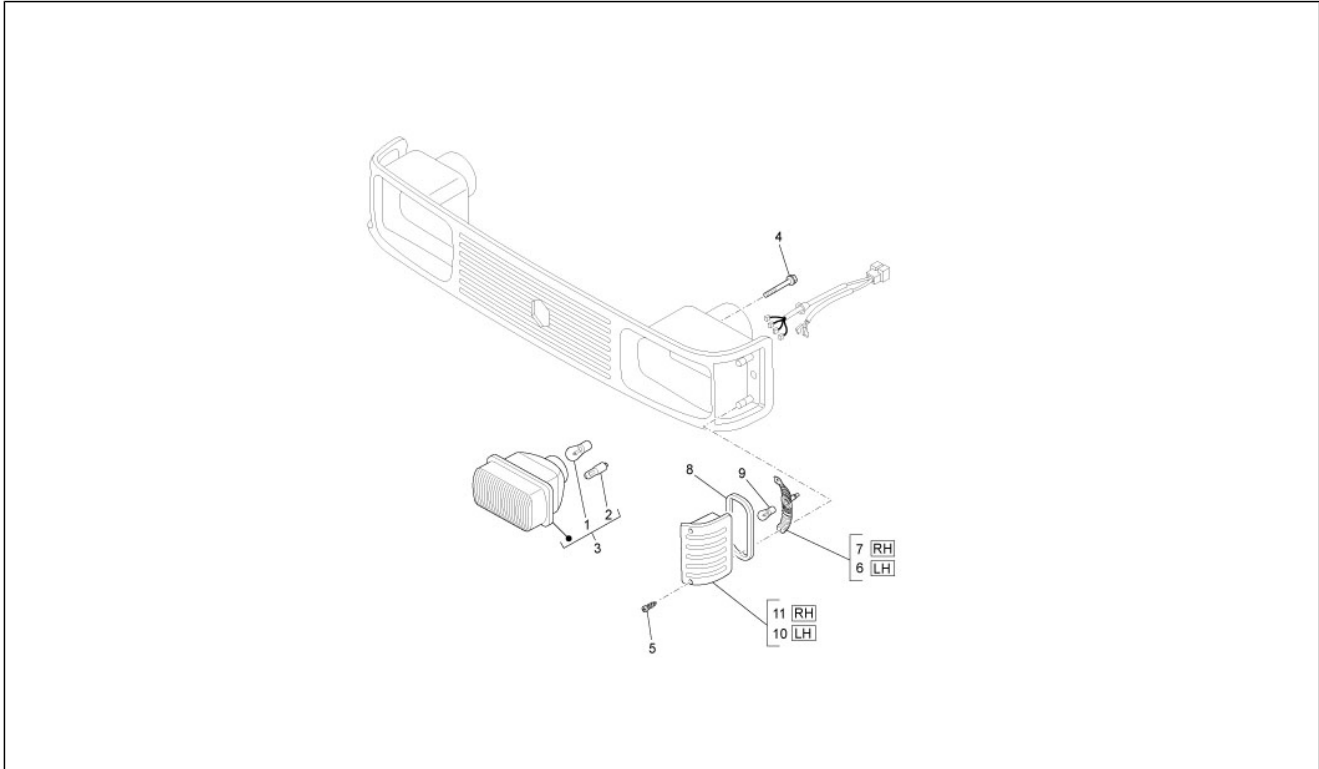
Pos.	Code	Description	Qty	Variants
1	568073	Lever group	1	
2	189748	Starter control lever	1	
3	189749	Lever	1	
4	189740	Pin	1	
5	568001	Knob	1	
6	189746	Grip	1	
7	189741	Brake lever	1	
8	189745	Spring	1	
9	125467	Washer	2	
10	189747	Sector	1	
11	129622	Spring	1	
12	189750	Housing	1	
13	020110	Nut	1	
14	061859	Pulley	1	
15	016410	Washer 17,6x11x2,5	1	
16	030103	screw M10x70	1	
17	012761	Split pin	4	
18	189751	Pin	1	
19	567857	Transmission	1	
20	116232	Cup	2	
21	567858	Transmission	1	
22	020106	Nut M6	2	
23	229700	Front fork	1	
24	061860	Pin	1	

<b>Group</b>	Electrical system
<b>Code</b>	06.01
<b>Description</b>	Selectors - Switches - Buttons
<b>Service</b>	1



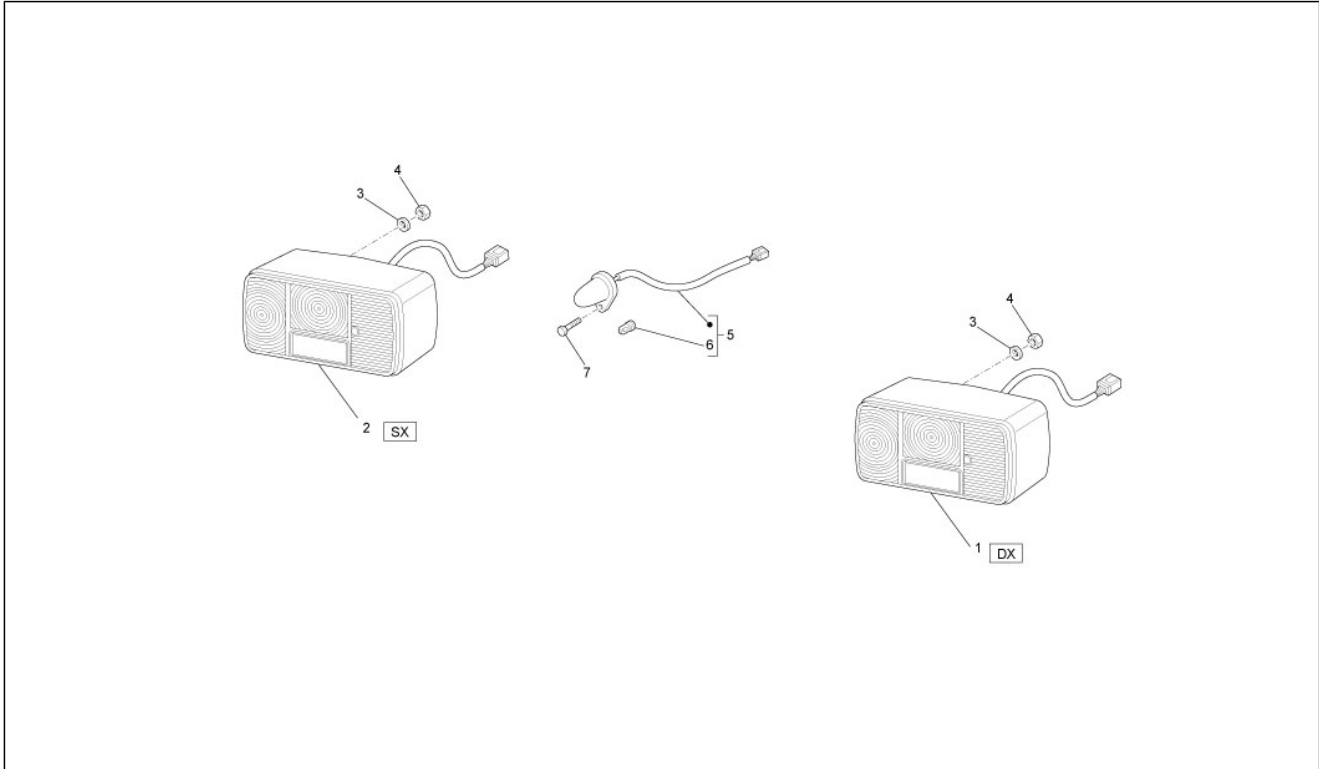
Pos.	Code	Description	Qty	Variants
1	581370	Turn signal lamps switch	1	
2	581369	Lights switch	1	
3	581373	Switch	1	
4	613606	Switch	1	
5	581375	Switch	1	
6	581376	Commutatore di emergenza	1	
7	013880	Flat washer 16x6,5x1,5	2	
8	568194	Switch	1	
9	581372	Lights swich	1	
10	216159	Switch	1	
11	214772	stop Button	1	

<b>Group</b>	Electrical system
<b>Code</b>	06.03
<b>Description</b>	Front headlamps - Turn signal lamps
<b>Service</b>	1



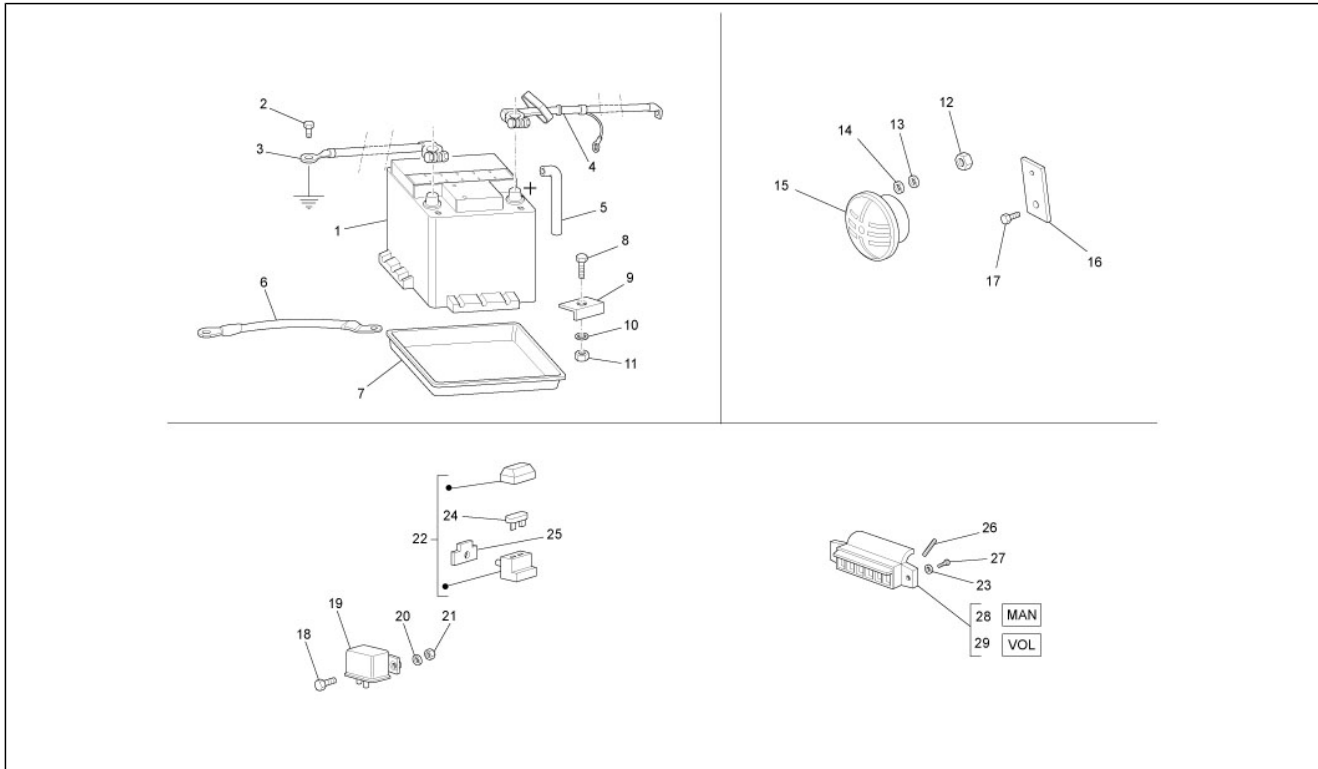
Pos.	Code	Description	Qty	Variants
1	102111	Lamp	1	
2	163015	Lamp	1	
3	583764	Headlamp	2	
4	213798	screw	4	
5	197557	screw	4	
6	290172	Lampholder	1	
7	290173	Lampholder	1	
8	214482	Gasket	2	
9	160654	Lamp	2	
10	213716	Glass	1	
11	213717	Glass	1	

<b>Group</b>	Electrical system
<b>Code</b>	06.04
<b>Description</b>	Rear headlamps - Turn signal lamps
<b>Service</b>	1



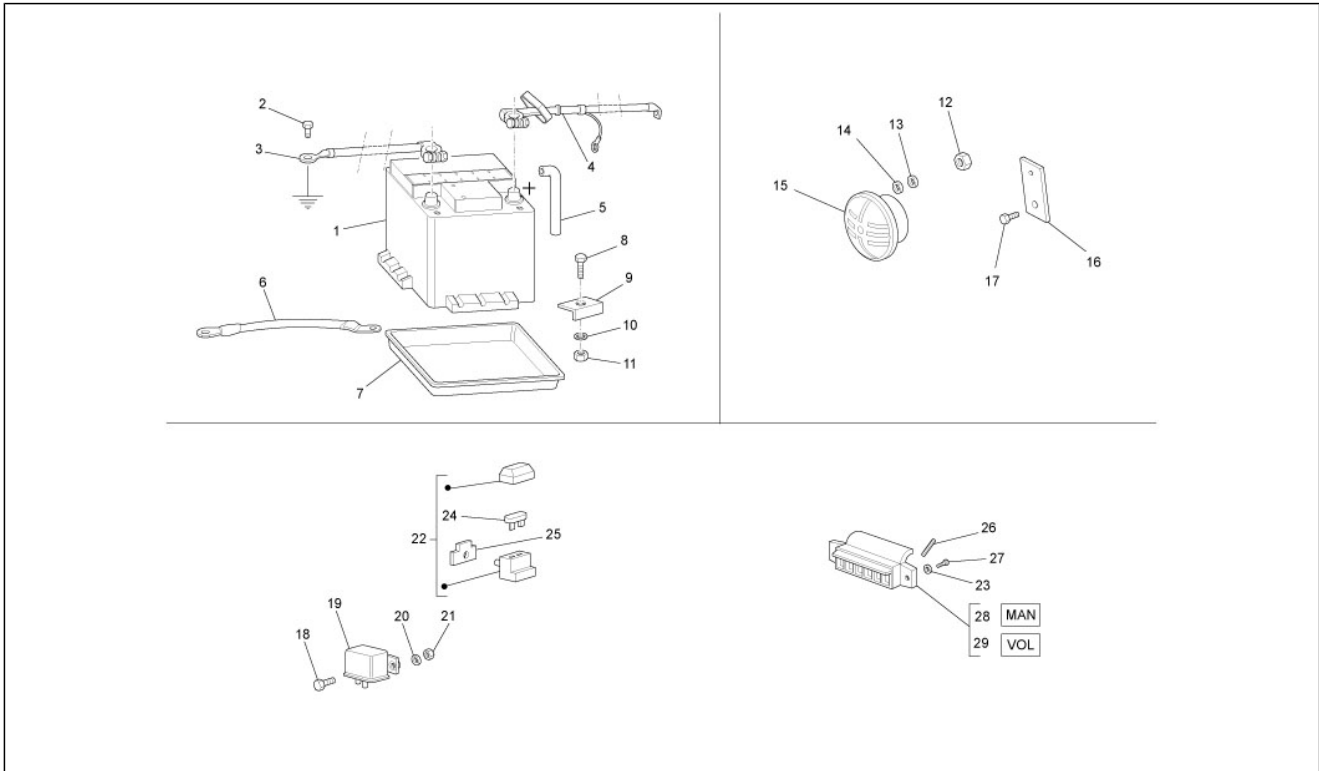
Pos.	Code	Description	Qty	Variants
1	581339	Headlight	1	
2	581340	Headlight	1	
3	012533	Notched washer 6,6x11x0	4	
4	020106	Nut M6	4	
5	567840	Number plate lamp	1	
6	292022	Lamp 12V-5W	1	
7	008455	screw	1	

<b>Group</b>	Electrical system
<b>Code</b>	06.05
<b>Description</b>	Remote control switches - Battery - Horn
<b>Service</b>	1



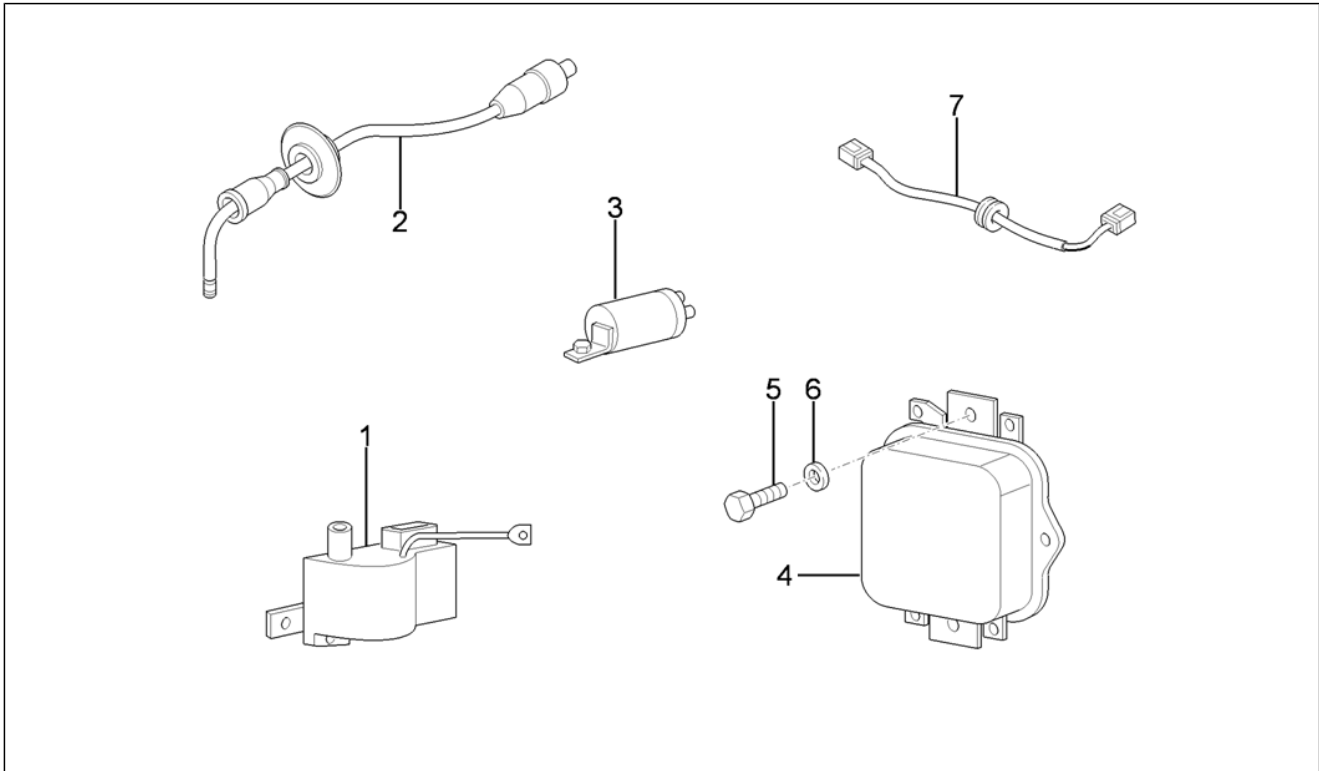
Pos.	Code	Description	Qty	Variants
1	600697M	Battery	1	
2	9004119450000	Bolt	1	
3	189940	Negative cable	1	
4	189885	Positive cable	1	
5	645581	Breather pipe	1	
6	127790	Wire	1	
7	290102	Basin	1	
8	290103	screw	1	
9	611610	Square	1	
10	013755	Washer	1	
11	020106	Nut M6	1	
12	810688	Nut	1	
13	003058	Washer 15x8,4x1,5	1	
14	012540	Notched washer 14x8,3x1,8	1	
15	581405	Horn	1	
16	256285	Clamp	1	
17	008432	Screw d3,5x9,5	4	
18	031088	screw M6x16	2	
19	157713	Rem. control switch	1	
20	003056	Flat washer 6,4x12x1	2	
21	020206	Nut M6	1	
22	290859	Fuse holder	1	
23	003055	Plain washer 5,4x10x0,8	2	
24	290860	Fuse 15A	1	
25	290405	Bracket	1	
26	0249672	Fuse	6	
27	008455	screw	2	
28	127619	Clamp board	1	

<b>Group</b>	Electrical system
<b>Code</b>	06.05
<b>Description</b>	Remote control switches - Battery - Horn
<b>Service</b>	1



Pos.	Code	Description	Qty	Variants
29	125322	Clamp board	1	

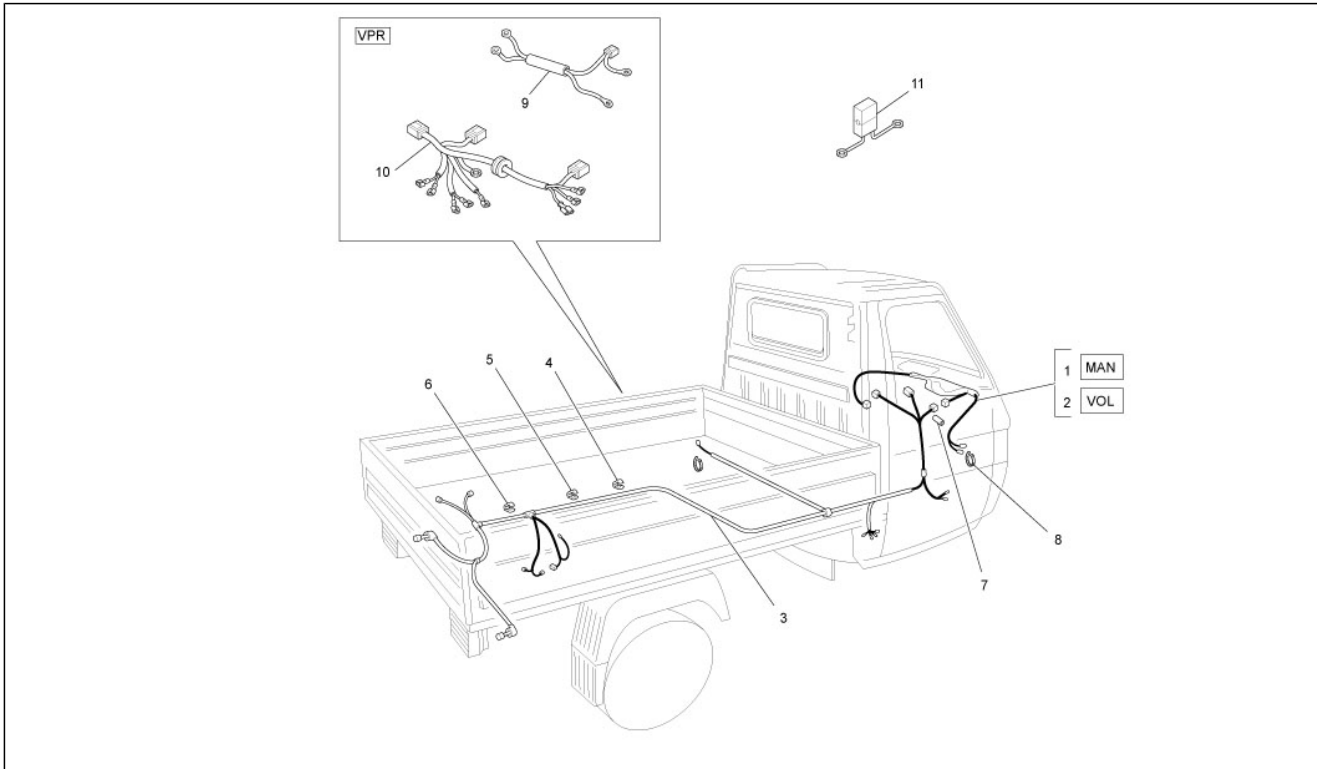
<b>Group</b>	Electrical system
<b>Code</b>	06.06
<b>Description</b>	Voltage Regulators - Electronic Control Units (ecu) - H.T. Coil
<b>Service</b>	1



Pos.	Code	Description	Qty	Variants
1	2441295	El. start device	1	
2	140619	Cavo A.T. completo	1	
3	290267	Thermal switch	1	
4	157714	Voltage regulator	1	
4	642202	Voltage regulator	1	
5	031088	screw M6x16	2	
6	003056	Flat washer 6,4x12x1	2	
7	B007816	Cablaggio regolatore di tensione	1	
7	B007817	Cablaggio regolatore di tensione	1	

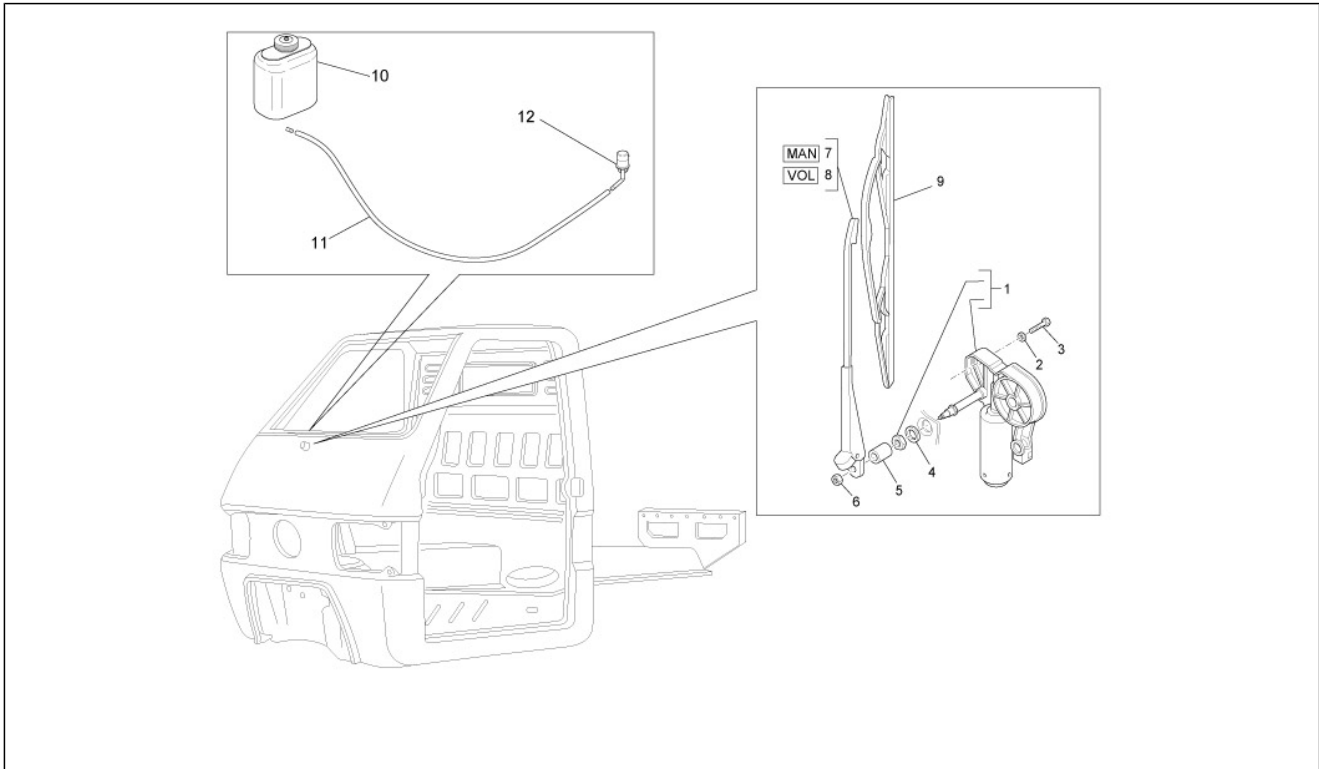


<b>Group</b>	Electrical system
<b>Code</b>	06.08
<b>Description</b>	Main cable harness
<b>Service</b>	1



Pos.	Code	Description	Qty	Variants
1	613444	Cable harness	1	
2	613445	Cable harness	1	
3	613431	Frame harness	1	
3	B007130	Frame harness	1	
4	140435	Spring	1	
5	191002	Spring	4	
6	194945	Spring	2	
7	072761	Hose	2	
8	145298	Lock-strap	6	
9	582296	Cable harness	1	
10	615391	Cable harness	1	
11	644772	Cavetto con portafusibile	1	
11	B007131	Wire	1	

<b>Group</b>	Electrical system
<b>Code</b>	06.16
<b>Description</b>	Front and rear windscreen wiper
<b>Service</b>	1



Pos.	Code	Description	Qty	Variants
1	582017	Starter motor	1	
2	003056	Flat washer 6,4x12x1	3	
3	239687	screw	3	
4	074456	Washer	1	
5	569254	Motor protective pad	1	
7	660951	***ARM ASSY WINDSHIELD WIPER	1	
8	660952	***WIPER ARM	1	
9	568790	Brush	1	
10	611872	Tank	1	
11	B004722	***SPRAYER TUBE	1	
12	B004721	***SPRAYER	1	